

[54] TRANSPARENT LABORATORY SLIDE

[56]

References Cited

U.S. PATENT DOCUMENTS

[75] Inventor: James E. Parker, Long Beach, Calif.

3,481,659	12/1969	Rosenberg	350/94
3,777,283	12/1973	Elkins	331/94.5 L
4,022,521	5/1977	Hall et al.	350/92 X

[73] Assignee: ICL/Scientific, Fountain Valley, Calif.

Primary Examiner—Bernard Ansher
Attorney, Agent, or Firm—Frank A. Frisenda, Jr.

[**] Term: 14 Years

[57]

CLAIM

The ornamental design for a transparent laboratory slide, as shown.

[21] Appl. No.: 952,239

DESCRIPTION

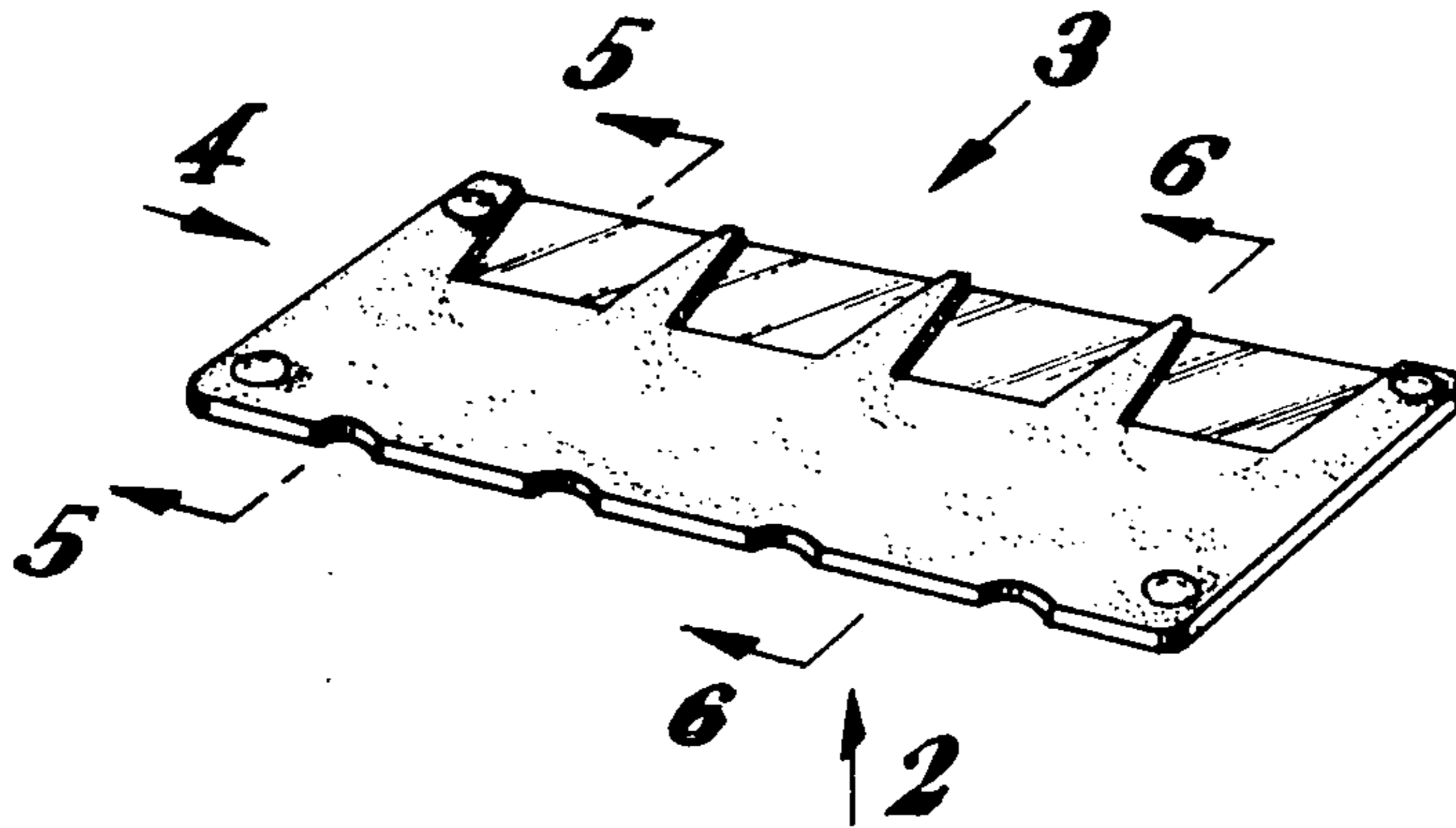
[22] Filed: Oct. 17, 1978

FIG. 1 is a perspective view;
 FIG. 2 is a bottom plan view of FIG. 1;
 FIG. 3 is an elevational view taken substantially in the direction of arrow 3 in FIG. 1;
 FIG. 4 is an end elevational view taken substantially in the direction of arrow 4 in FIG. 1;
 FIG. 5 is a sectional view taken substantially along the line 5—5 of FIG. 1; and
 FIG. 6 is a sectional view taken substantially along line 6—6 of FIG. 1.

[51] Int. Cl. D24—02

[52] U.S. Cl. D24/99; D16/83; D24/8

[58] Field of Search 350/92, 94, 95; 331/94.5 L; D24/16, 8, 25, 29, 99; D16/83, 57; 356/244



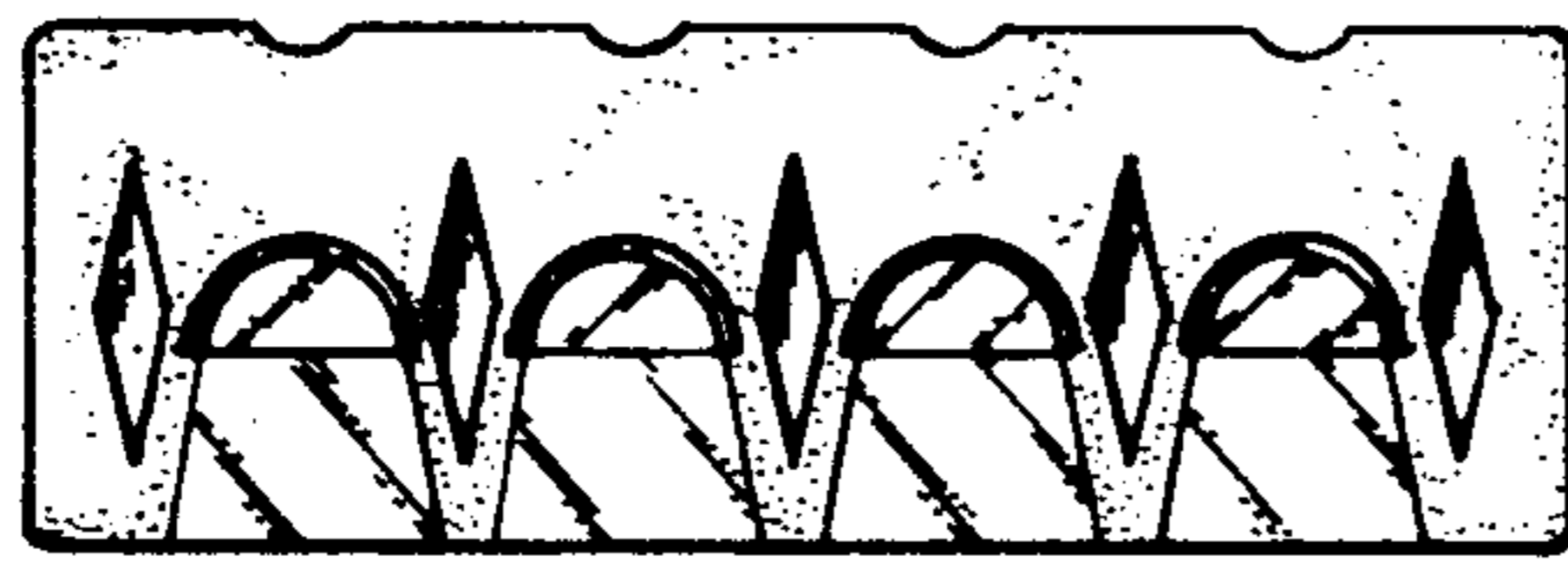
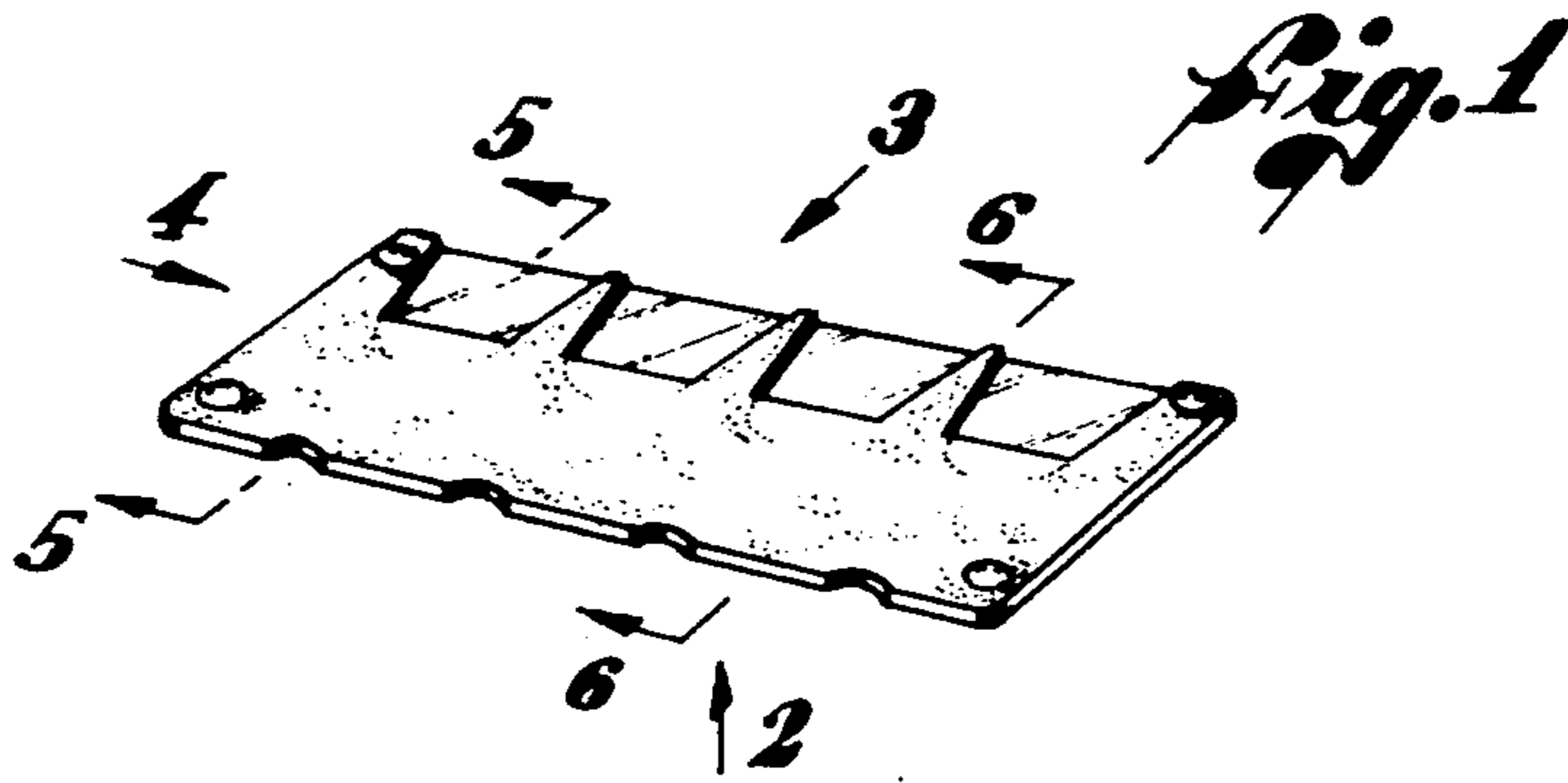


Fig. 4

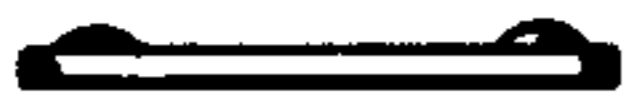


Fig. 5



Fig. 6