

[54] WINGED INFUSION HOLDING DEVICE

[75] Inventor: Michael P. De Frank, Woodstock, Ill.

[73] Assignee: Baxter Travenol Laboratories, Inc., Deerfield, Ill.

[**] Term: 7 Years

[21] Appl. No.: 962,323

[22] Filed: Nov. 20, 1978

[51] Int. Cl. D24-02

[52] U.S. Cl. D24/52; 128/214 R

[58] Field of Search D24/52; 128/214 R, 221, 128/214.4

D. 220,043	4/1971	Reiterman	D24/52
D. 223,043	2/1972	Raines	D24/52
3,064,648	11/1962	Bujan	128/214 R
3,589,361	6/1971	Loper et al.	128/214.4
3,640,275	2/1972	Burke et al.	128/214 R
3,670,727	6/1972	Reiterman	128/214 R
3,782,383	1/1974	Thompson et al.	128/214 R
4,006,744	2/1977	Steer	128/214 R

Primary Examiner—Bernard Ansher
Attorney, Agent, or Firm—John P. Kirby

[57] CLAIM

The new and ornamental design for a winged infusion holding device, as shown.

DESCRIPTION

FIG. 1 is a top plan view of a winged infusion holding device embodying my new design; FIG. 2 is side elevational view thereof; FIG. 3 is a front elevational view thereof; FIG. 4 is a bottom plan view thereof; and FIG. 5 is a rear elevational view thereof.

[56] References Cited

U.S. PATENT DOCUMENTS

D. 208,611	9/1967	Smith, Jr.	D24/52
D. 217,702	5/1970	Volk et al.	D24/52
D. 217,795	6/1970	Spaven et al.	D24/52

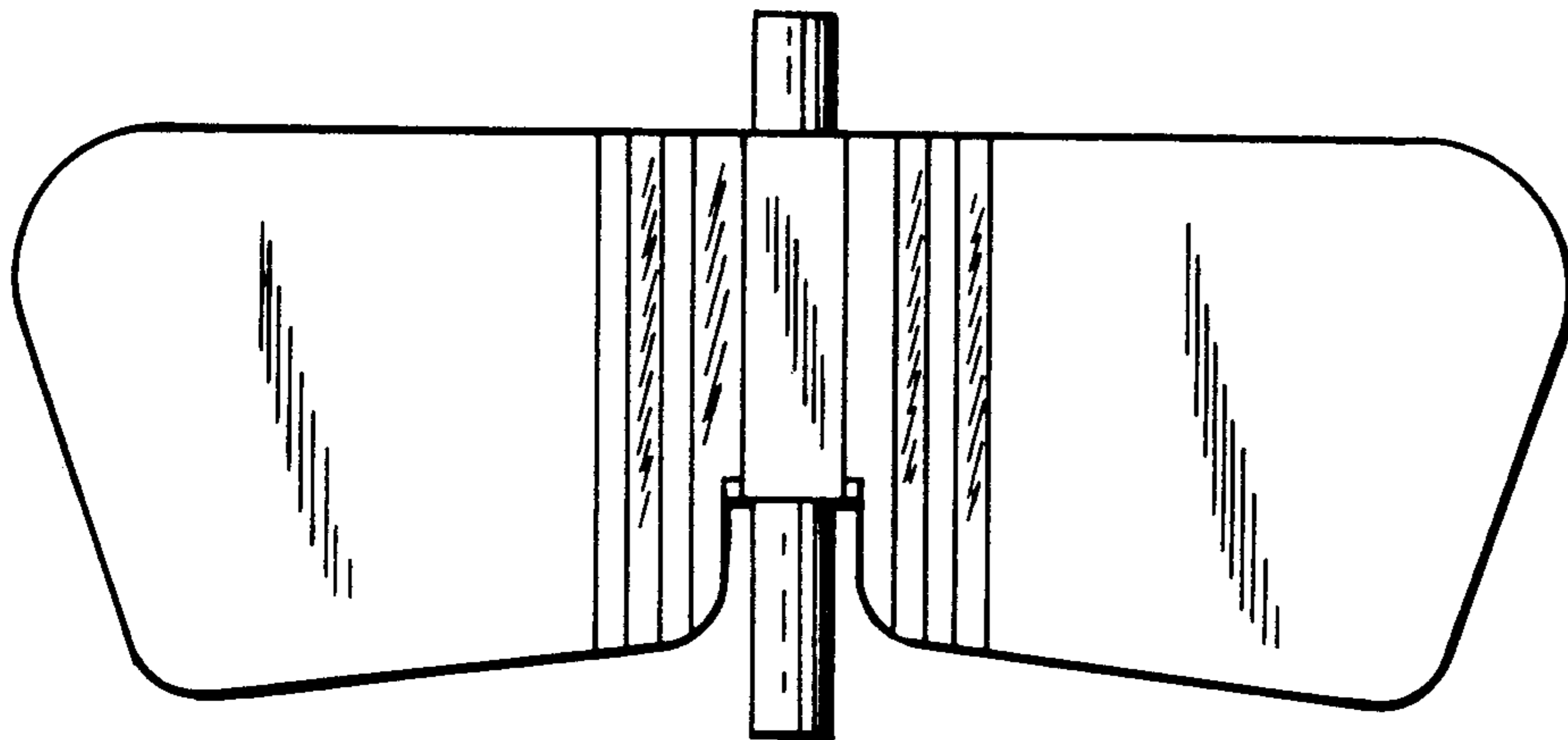


Fig. 1

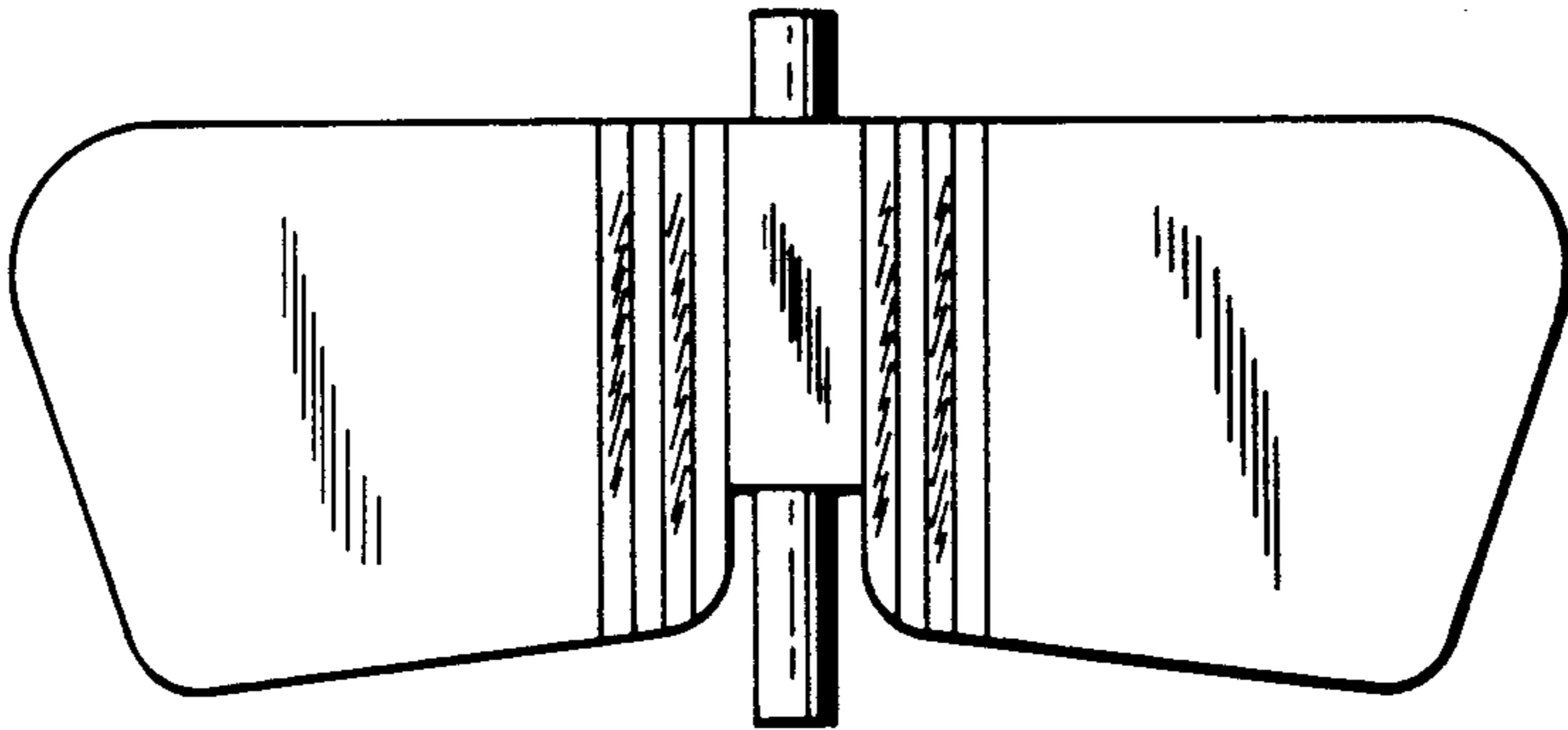


Fig. 2

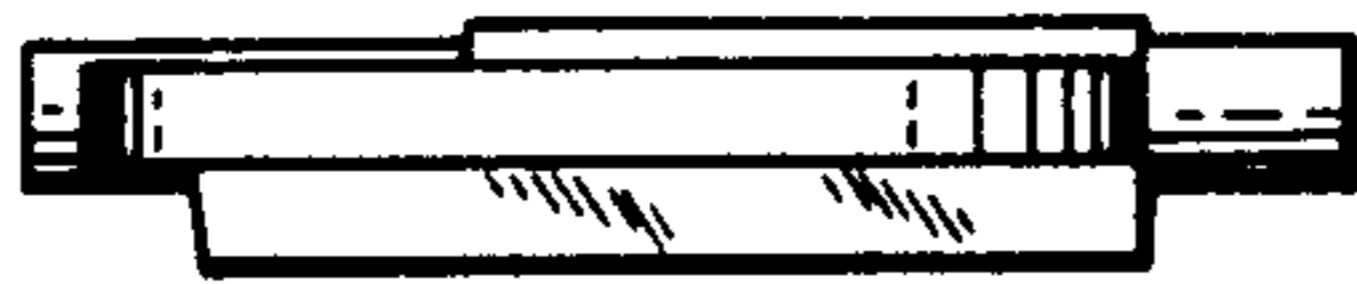


Fig. 3



Fig. 4

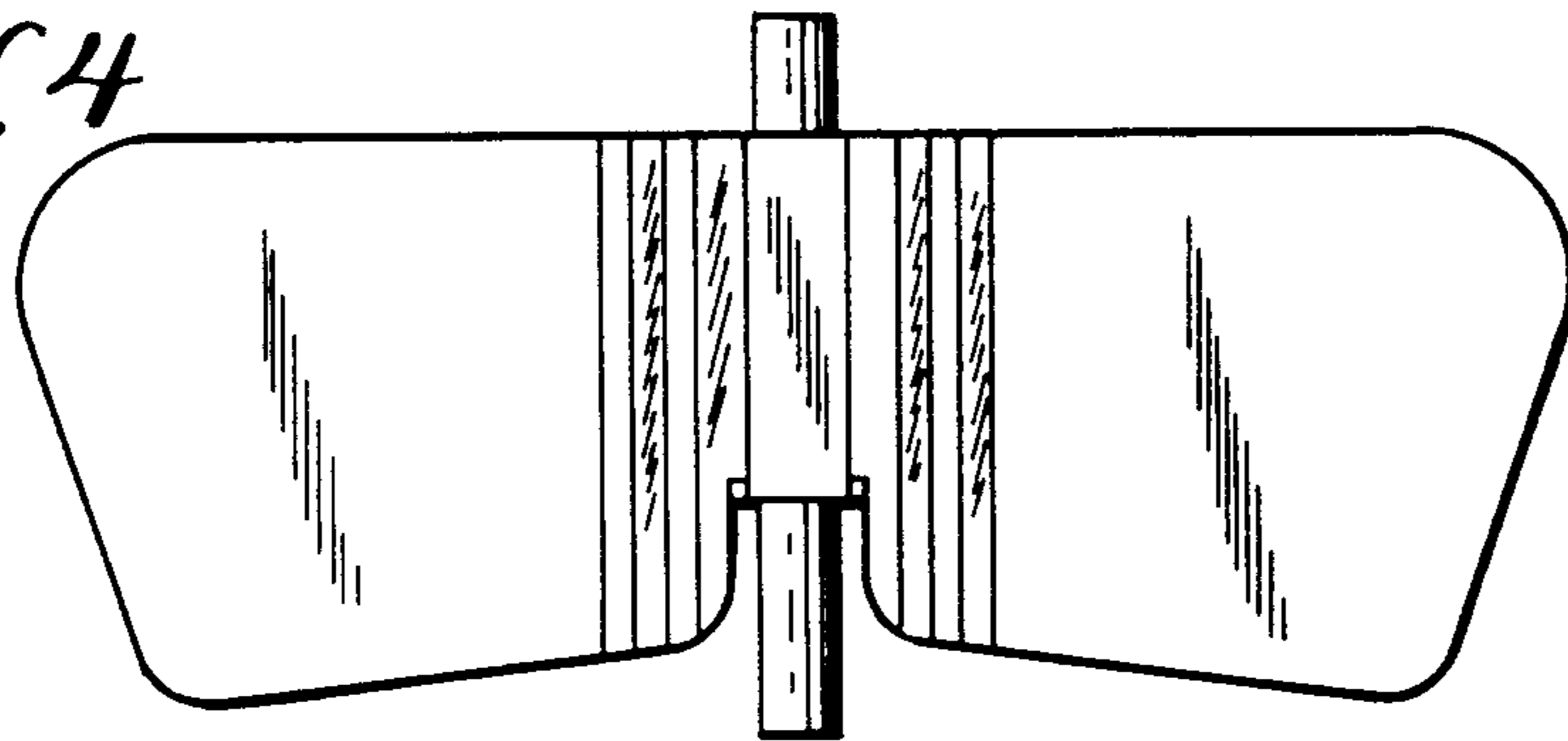


Fig. 5

