

[54] IRRIGATION SPRAY NOZZLE

[76] Inventors: Carl E. Addison, Rte. 1, Cimarron, Kans. 67835; Rocky J. Comes, Box 24, Offerle, Kans. 67563

[\*\*] Term: 14 Years

[21] Appl. No.: 113,090

[22] Filed: Jan. 17, 1980

Related U.S. Application Data

[63] Continuation-in-part of Ser. No. 881,880, Feb. 27, 1978, and Ser. No. 58,003, Jul. 16, 1979.

[51] Int. Cl. .... D23-01

[52] U.S. Cl. .... D23/35; D23/6

[58] Field of Search .... D23/6-12, D23/34-38; 169/37-41; 239/523, 524

[56] References Cited

U.S. PATENT DOCUMENTS

D. 184,373 2/1959 Rider ..... D23/6

D. 253,842	1/1980	Addison et al. ....	D23/35
921,205	5/1909	Cramer .....	239/524
1,401,176	12/1921	Miller .....	239/524
1,801,459	4/1931	Slauter .....	239/524 X
2,707,130	4/1955	Vernon .....	137/344
2,741,510	4/1956	McCulloch .....	137/344
3,259,319	7/1966	Wallace .....	239/177
3,586,244	6/1971	Johnson .....	239/524
3,856,038	12/1974	Paul .....	137/344

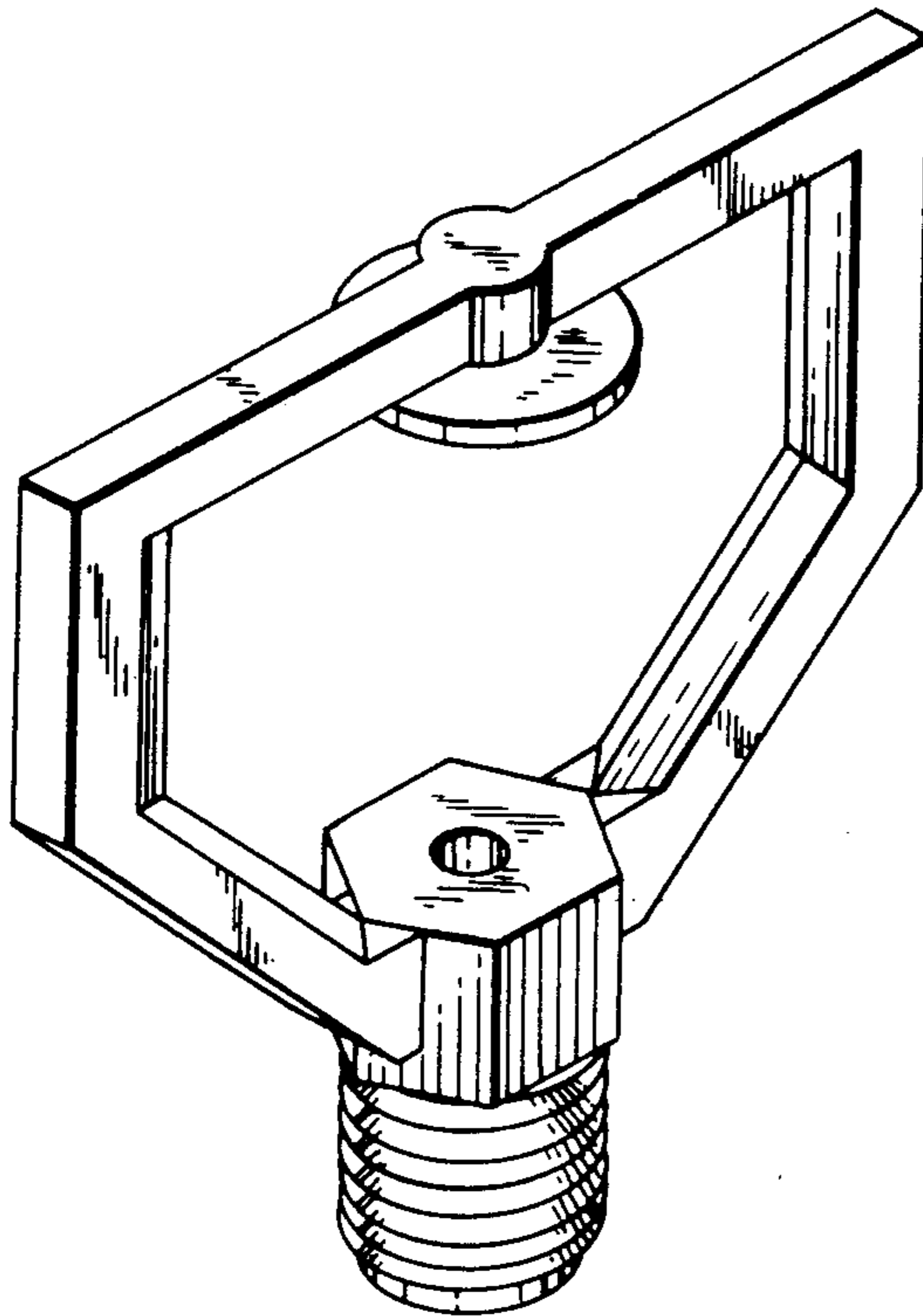
Primary Examiner—James R. Largen  
Attorney, Agent, or Firm—Fishburn, Gold and Litman

[57] CLAIM

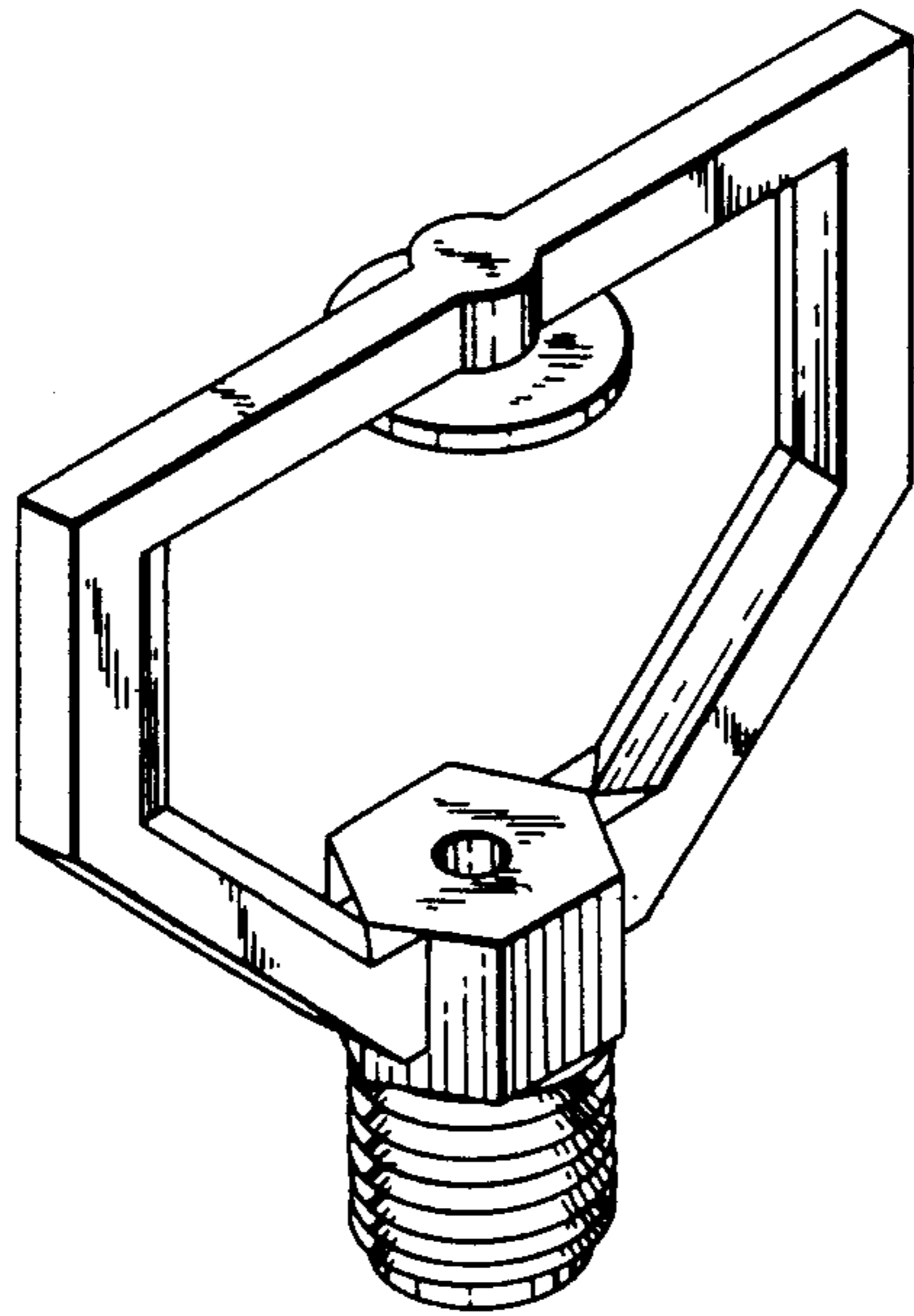
The ornamental design for an irrigation spray nozzle, as shown.

DESCRIPTION

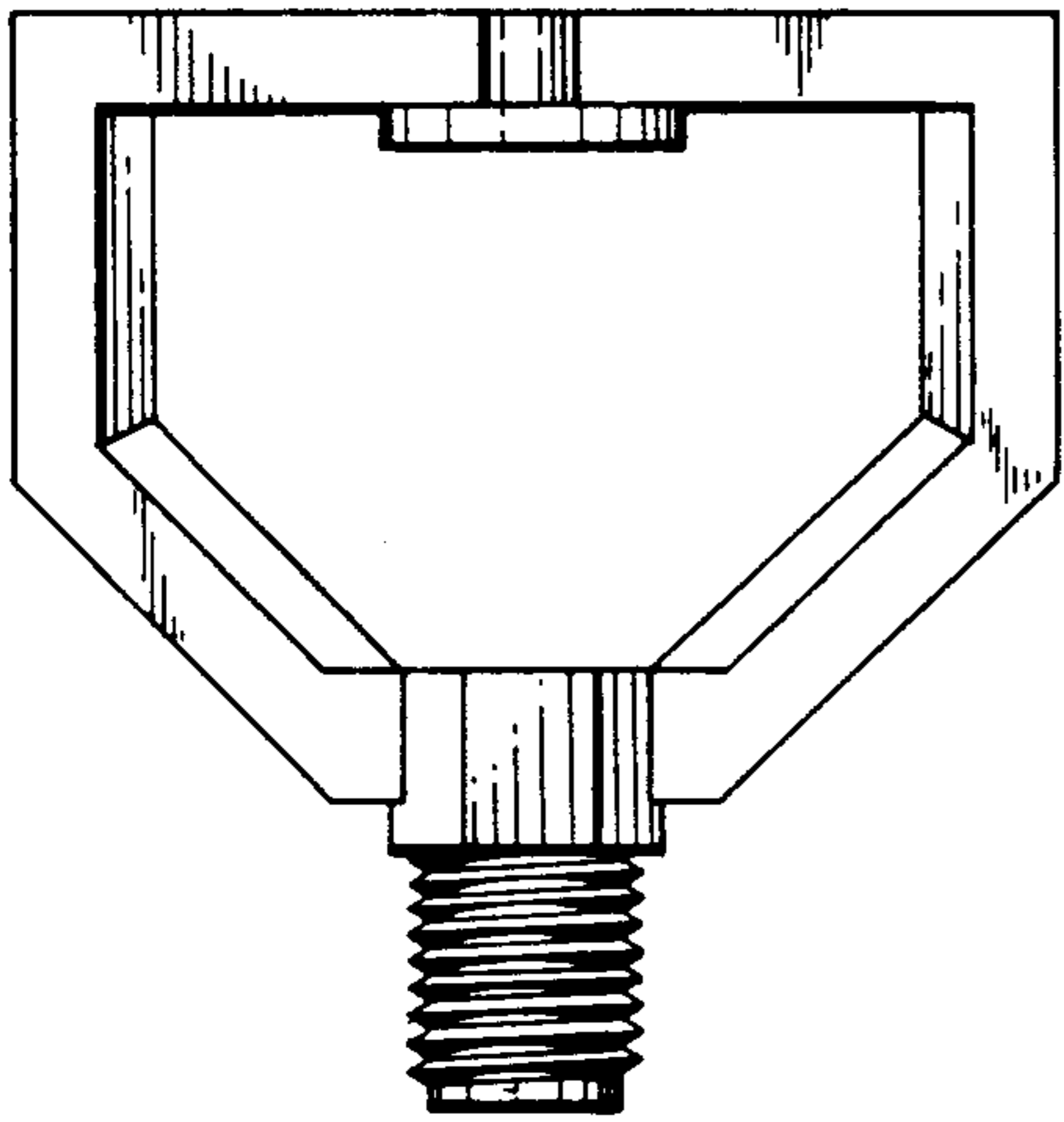
FIG. 1 is a perspective view of an irrigation spray nozzle embodying our design.  
FIG. 2 is a front elevational view thereof.  
FIG. 3 is a side elevational view thereof.  
FIG. 4 is a top plan view thereof with a portion of one side broken away for convenience of illustration.  
FIG. 5 is a bottom plan view thereof.



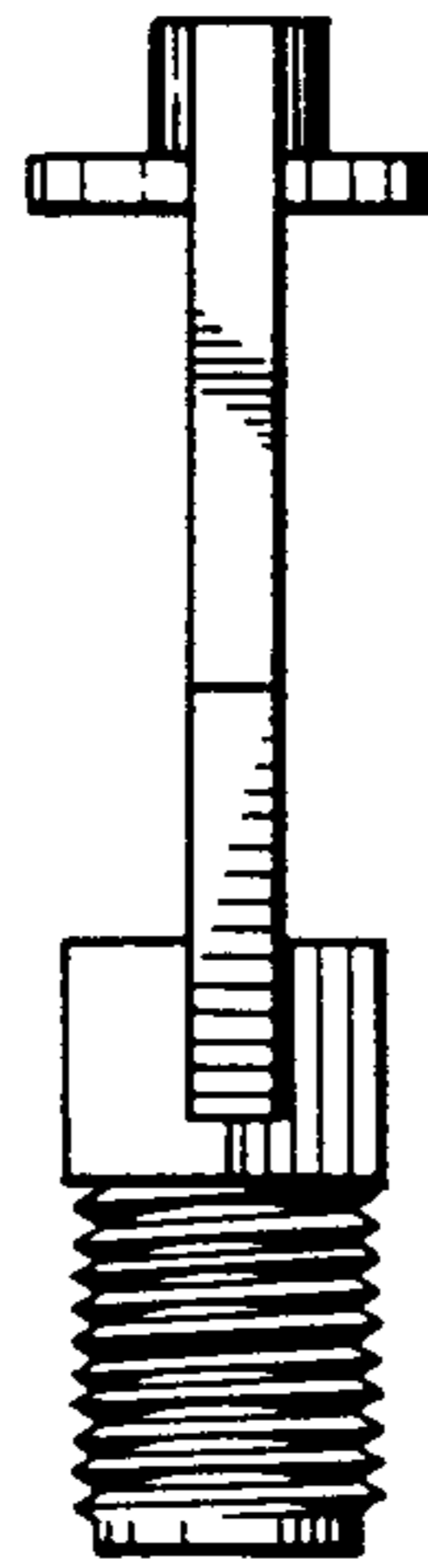
*Fig. 1.*



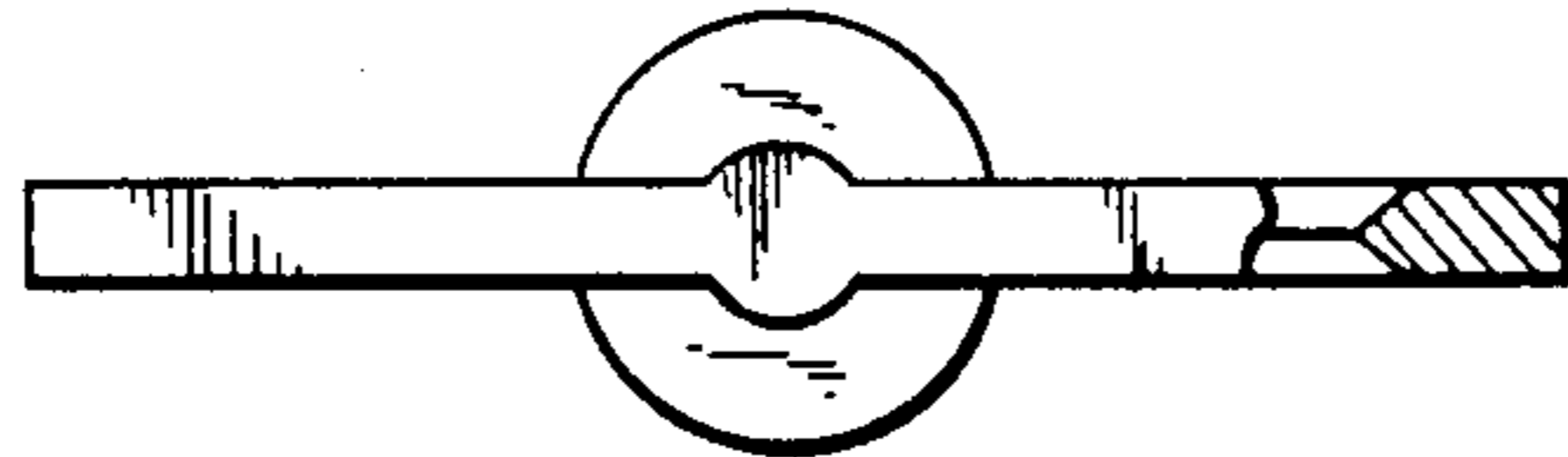
*Fig. 2.*



*Fig. 3.*



*Fig. 4.*



*Fig. 5.*

