

[54] POWER WASHER GUN

[75] Inventor: Jack E. Briar, Gardner, Kans.

[73] Assignee: Briar Industries, Inc., Gardner, Kans.

[**] Term: 14 Years

[21] Appl. No.: 25,464

[22] Filed: Mar. 30, 1979

[51] Int. Cl. D23-01

[52] U.S. Cl. D23/18

[58] Field of Search D23/17, 18; 239/310, 239/311, 316, 318

[56] References Cited

U.S. PATENT DOCUMENTS

D. 132,289	5/1942	Thompson	D23/17 X
D. 133,395	8/1942	Tammen	D23/18
D. 180,343	5/1957	Rich	D23/17
1,656,334	1/1928	McKenney	239/311
2,322,296	6/1943	Hunter	239/311

2,532,187	11/1950	Paasehe	239/428 X
2,931,580	4/1960	Johnson	239/311 X
3,096,225	7/1963	Carr et al.	239/325 X
3,361,300	1/1968	Kaplan	239/526 X
3,632,046	1/1972	Hengesbach	239/318

Primary Examiner—James R. Largen
Attorney, Agent, or Firm—Fishburn, Gold & Litman

[57] CLAIM

The ornamental design for a power washer gun, as shown and described.

DESCRIPTION

FIG. 1 is a perspective view of a power washer gun, embodying the design.

FIG. 2 is a side elevational view thereof.

FIG. 3 is an elevational view taken from the side opposite that shown in FIG. 2.

FIG. 4 is a top plan view thereof.

FIG. 5 is an end elevational view thereof.

FIG. 6 is an elevational view taken from the end opposite that shown in FIG. 5.

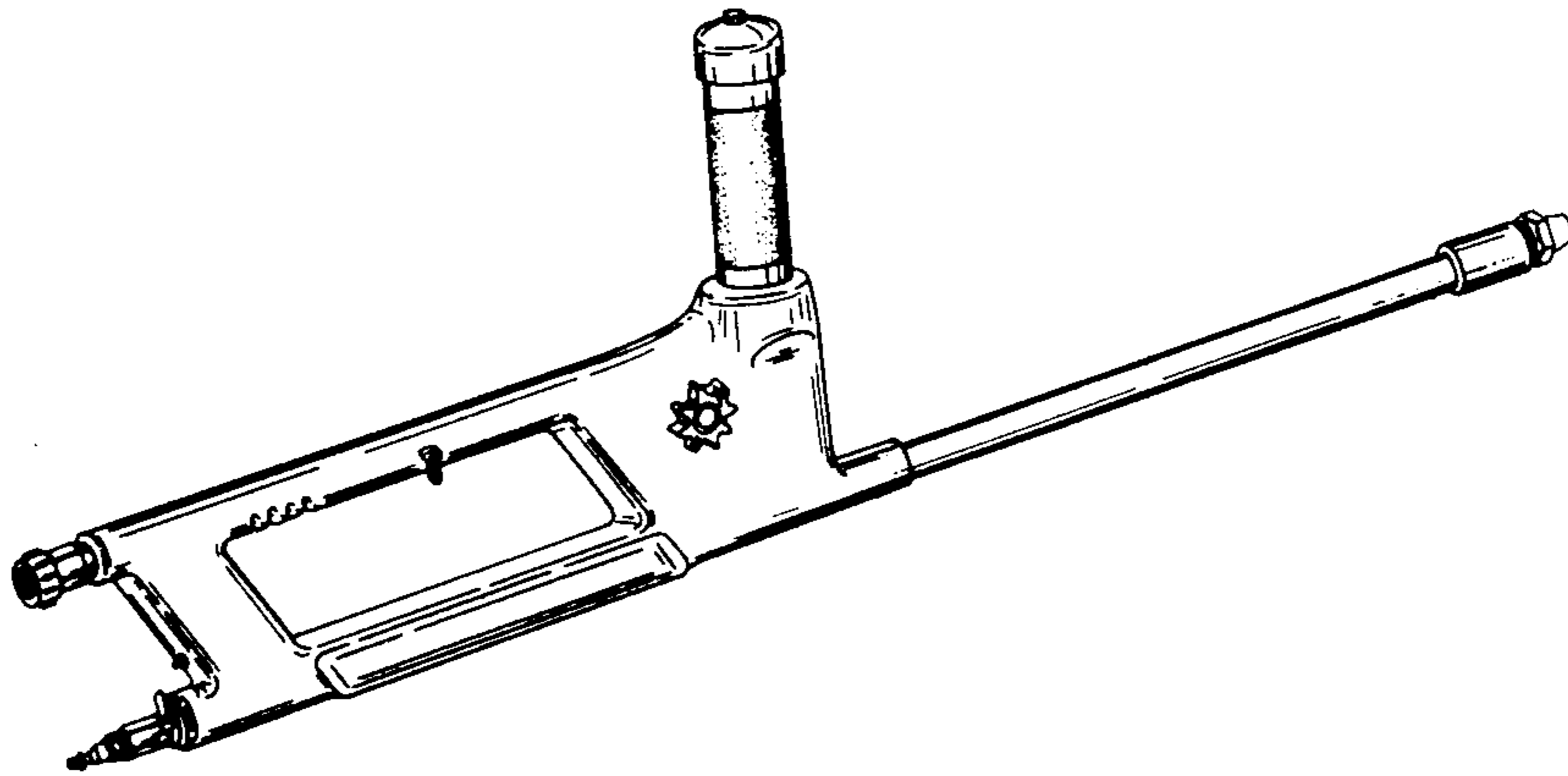


Fig. 1.

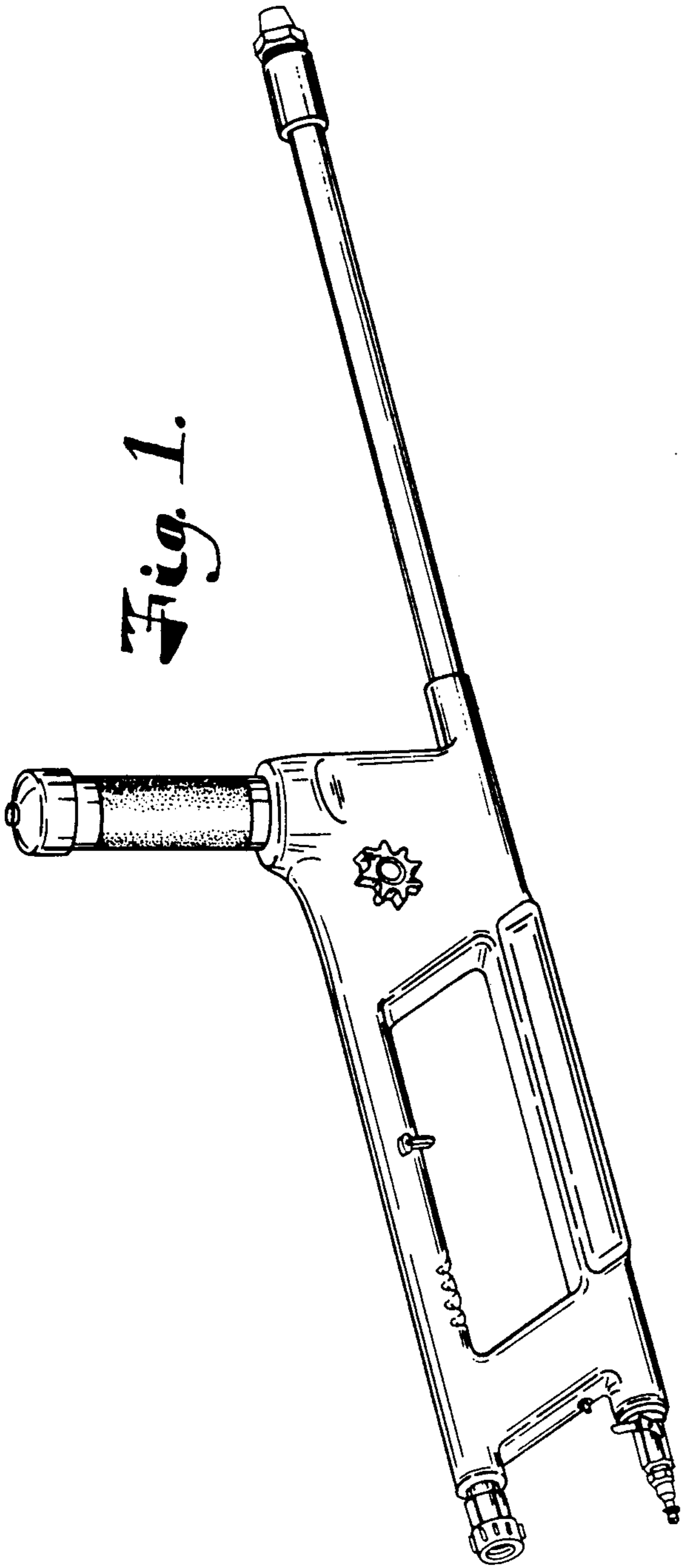
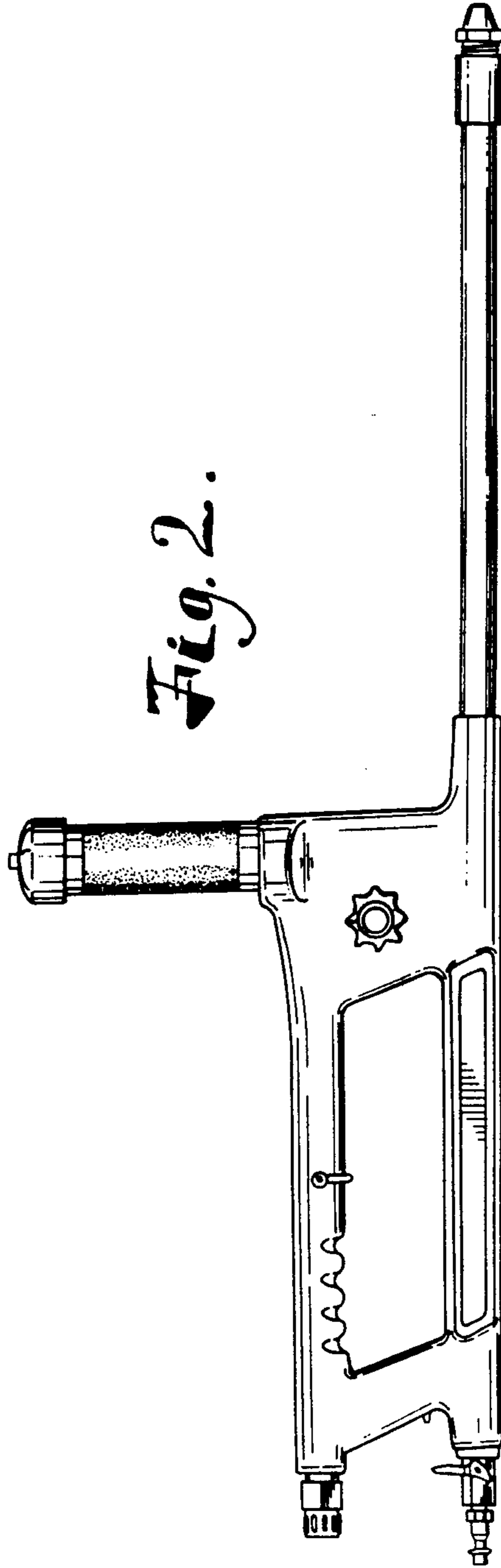


Fig. 2.



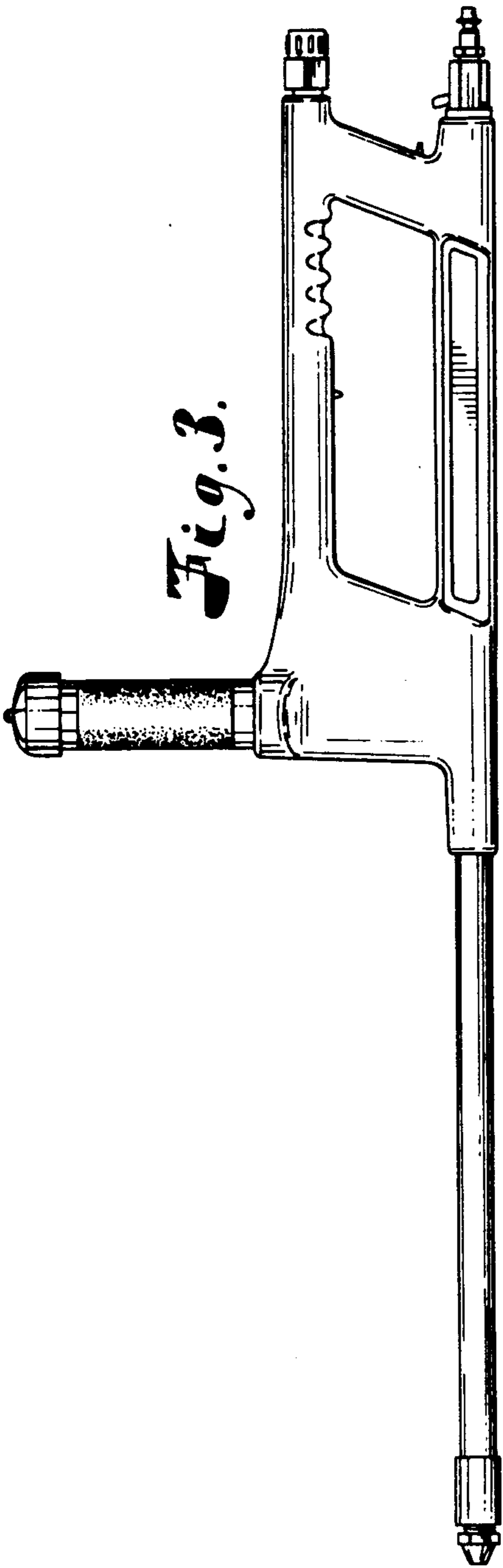


Fig. 3.

Fig. 4.

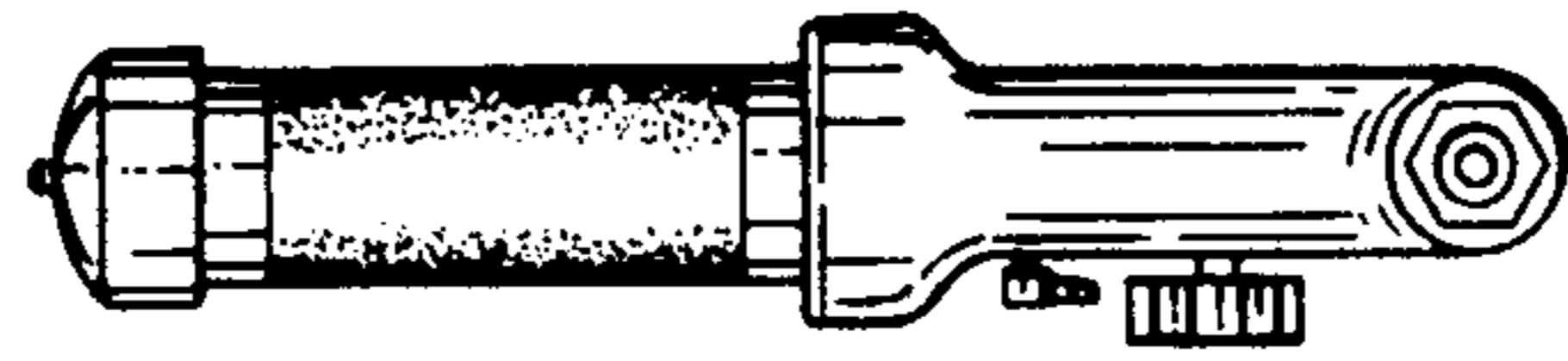
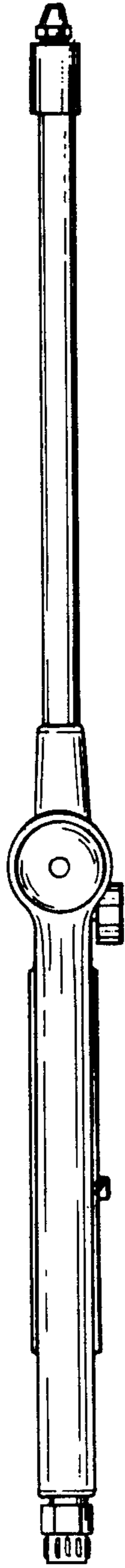


Fig. 5.

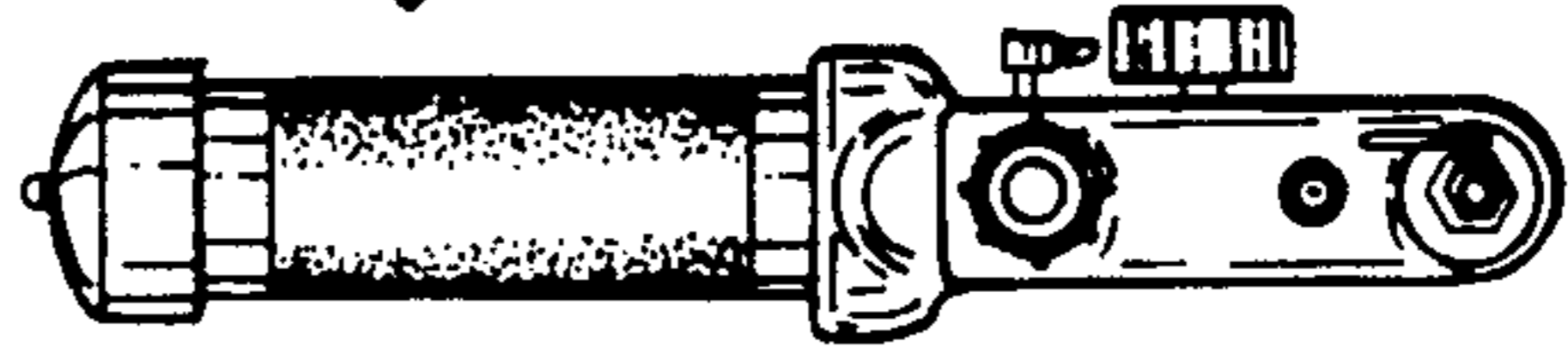


Fig. 6.