

[54] WELL PIPE SPACER

[76] Inventor: Charles A. Joseph, 13696 Old Fredericktown Rd., East Liverpool, Ohio 43920

[\*\*] Term: 14 Years

[21] Appl. No.: 933,973

[22] Filed: Aug. 15, 1978

[51] Int. Cl. .... D23-01

[52] U.S. Cl. .... D23/1; D23/40; 166/241

[58] Field of Search ..... D23/1, 40-47; 166/241; 205/137 R, 137 A

[56] References Cited

U.S. PATENT DOCUMENTS

D. 208,388 8/1967 Graham ..... D23/43

D. 240,428	7/1976	Hoffman	.....	D23/40
3,292,708	12/1966	Mundt	.....	166/241
3,806,168	4/1974	McGee et al.	.....	285/137 A
3,933,203	1/1976	Evans	.....	166/241
4,042,023	8/1977	Fox	.....	166/241
4,088,185	5/1978	Carson	.....	166/241
4,099,564	7/1978	Hutchison	.....	166/241

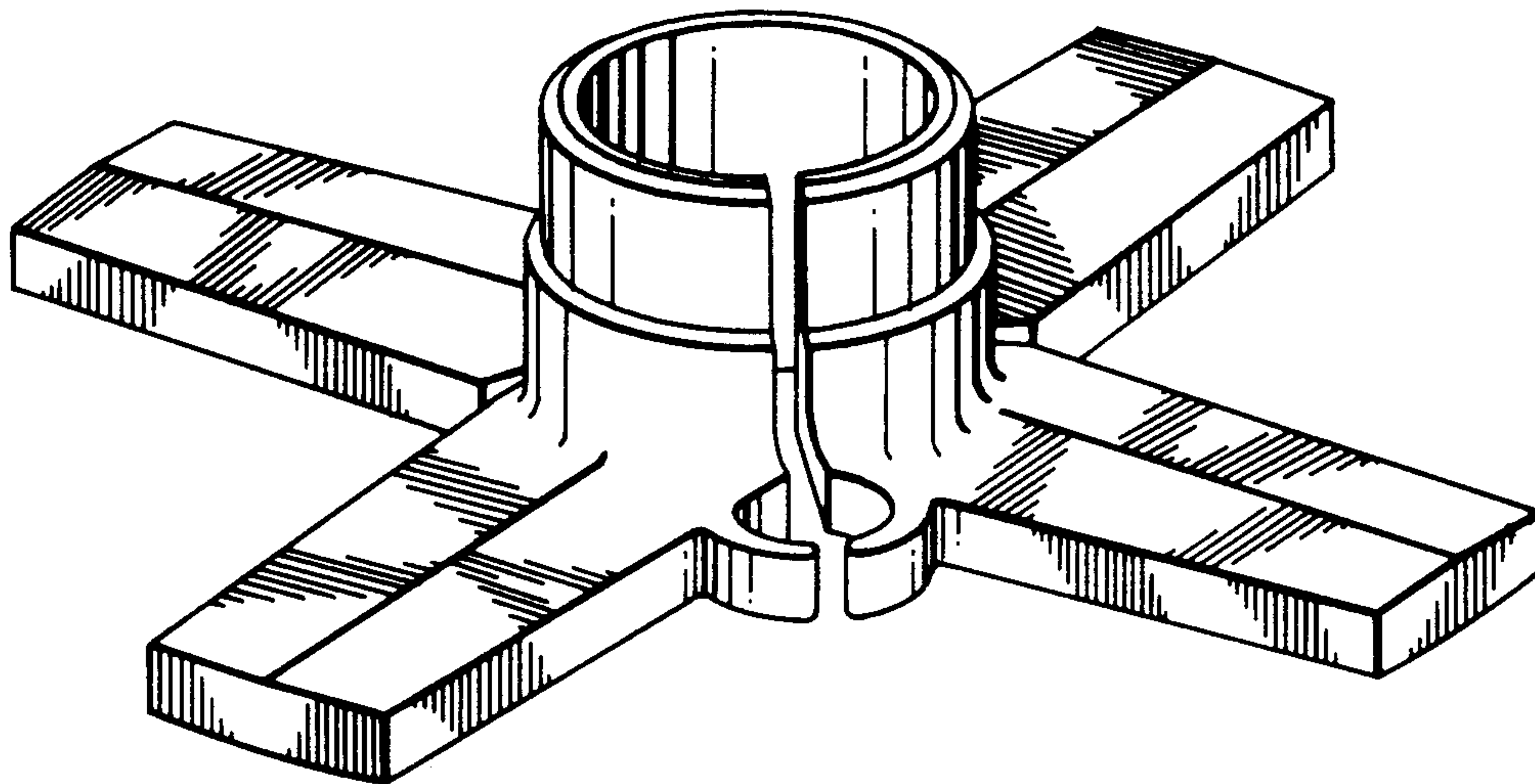
Primary Examiner—James R. Largen  
Attorney, Agent, or Firm—Webster B. Harpman

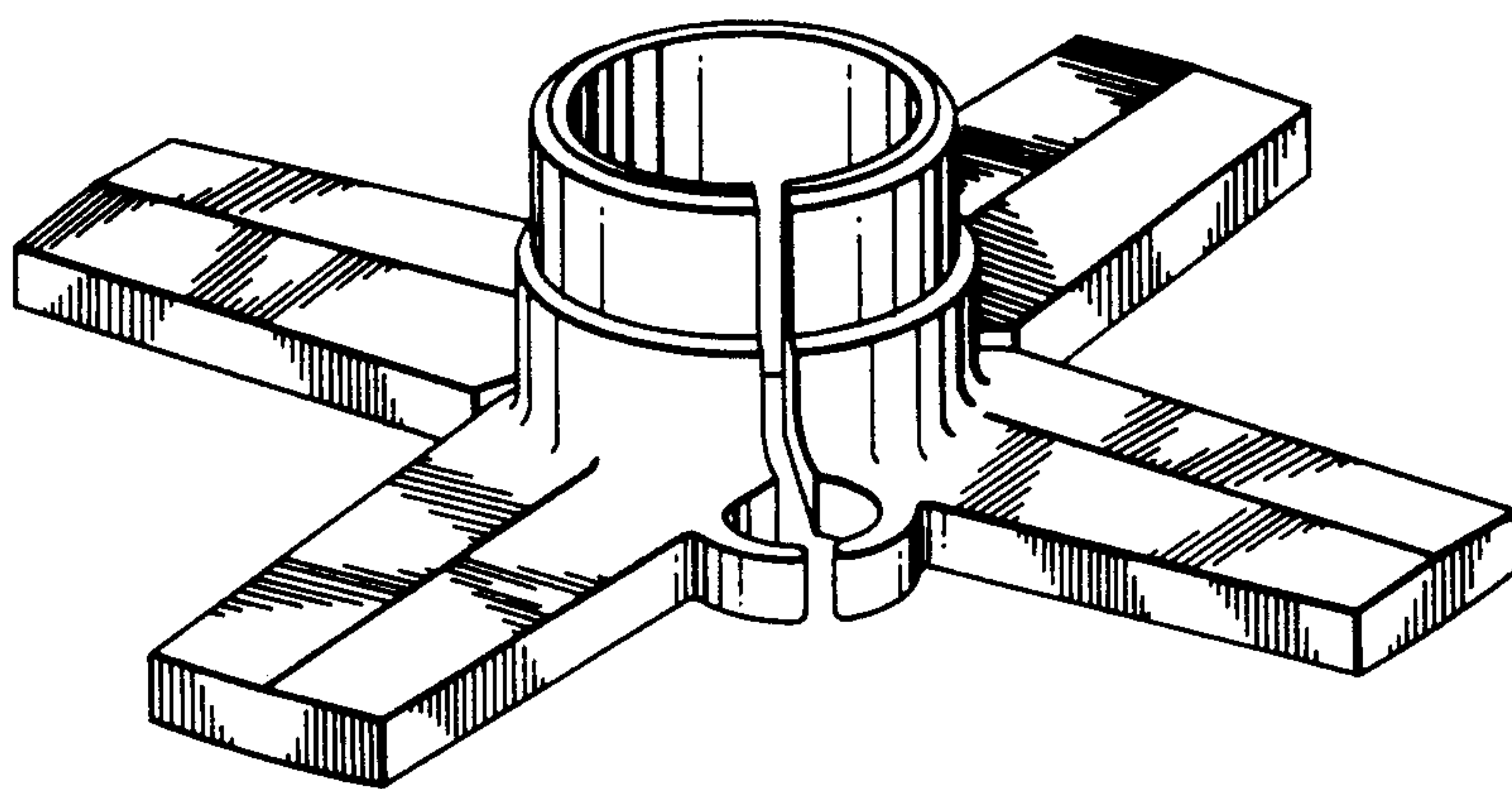
[57] CLAIM

The ornamental design for a well pipe spacer, as shown and described.

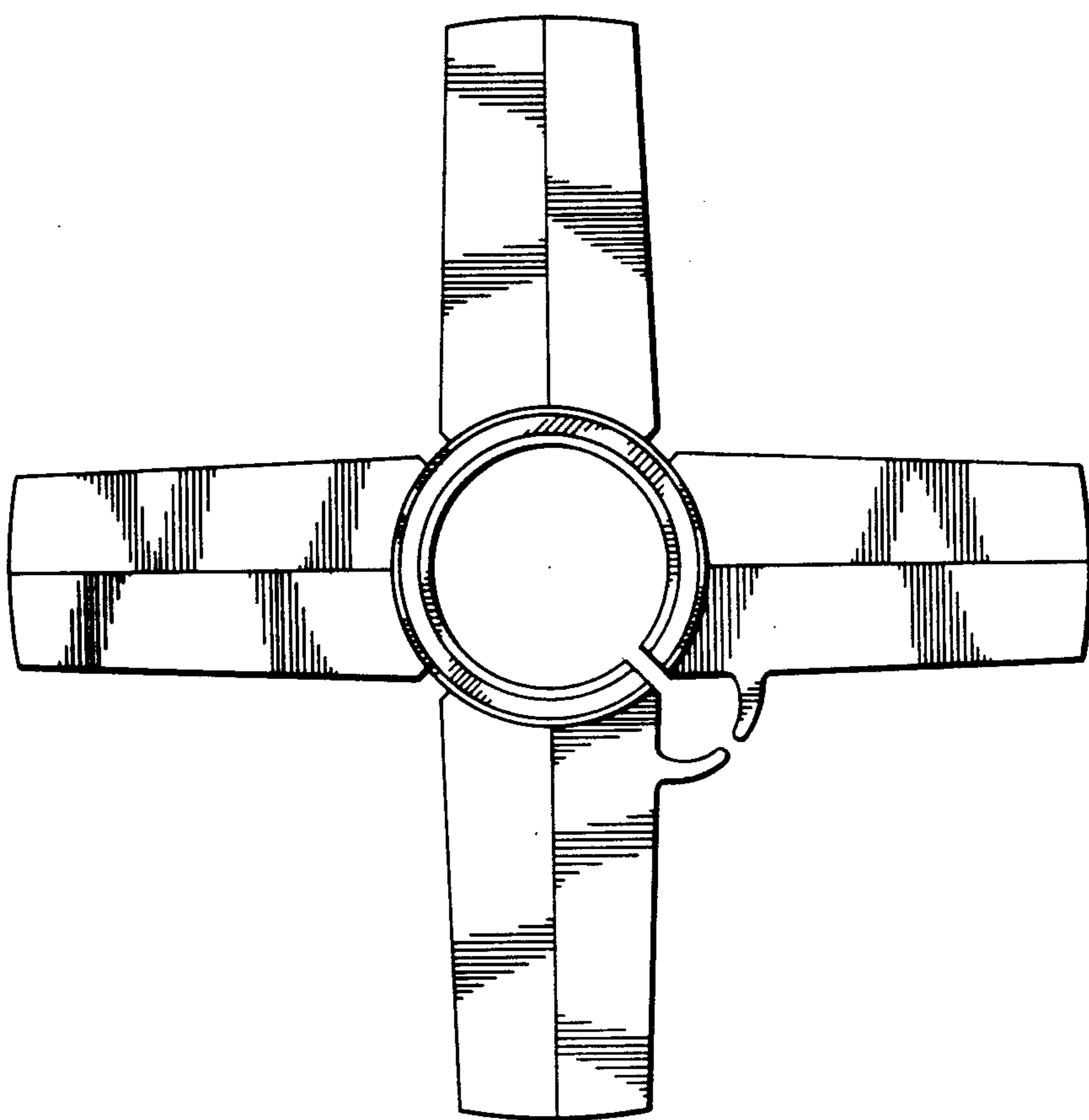
DESCRIPTION

FIG. 1 is a perspective view of a well pipe spacer showing my new design; FIG. 2 is a top plan view therefor; and FIG. 3 is a side view thereof. The bottom is plain and unornamented.

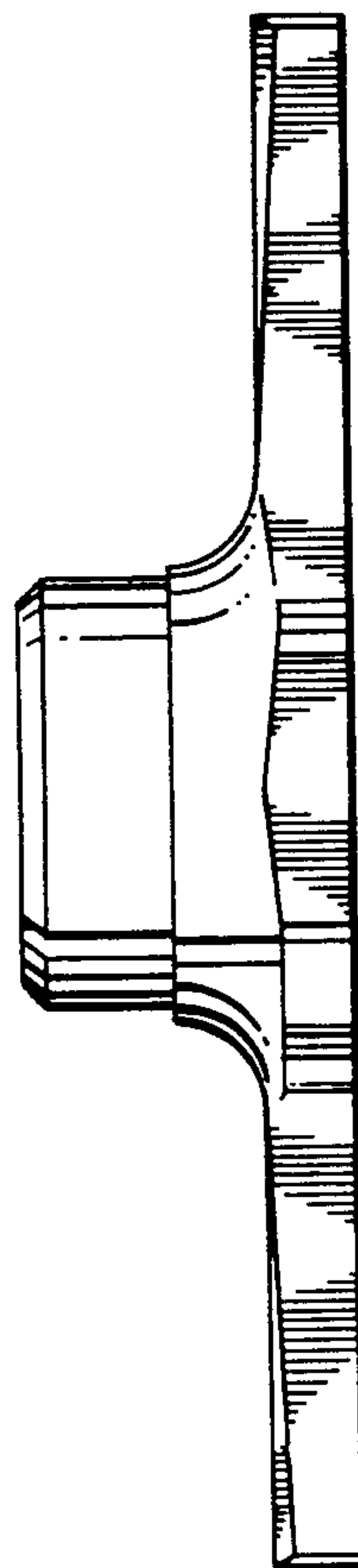




*FIG. 1*



*FIG. 2*



*FIG. 3*