

[54] PHYSICAL EXERCISER

[76] Inventor: John M. Pearo, 3211 Castleleigh Rd., Beltsville, Md. 20705

[**] Term: 14 Years

[21] Appl. No.: 83,304

[22] Filed: Oct. 10, 1979

[51] Int. Cl. D21-02

[52] U.S. Cl. D21/195

[58] Field of Search D21/191, 195, 196, 198, D21/221, 223, 235; 272/93, 102, 103, 109, 62, 63, 68, 78, 116, 118, 125, 144; D6/17, 32, 35

[56] References Cited

U.S. PATENT DOCUMENTS

3,430,953 3/1969 Tector 272/62

FOREIGN PATENT DOCUMENTS

558732 3/1957 Italy 272/93

OTHER PUBLICATIONS

Sporting Goods Dealer, 1-1979, p. 330, Bench Press/Physical Exerciser.

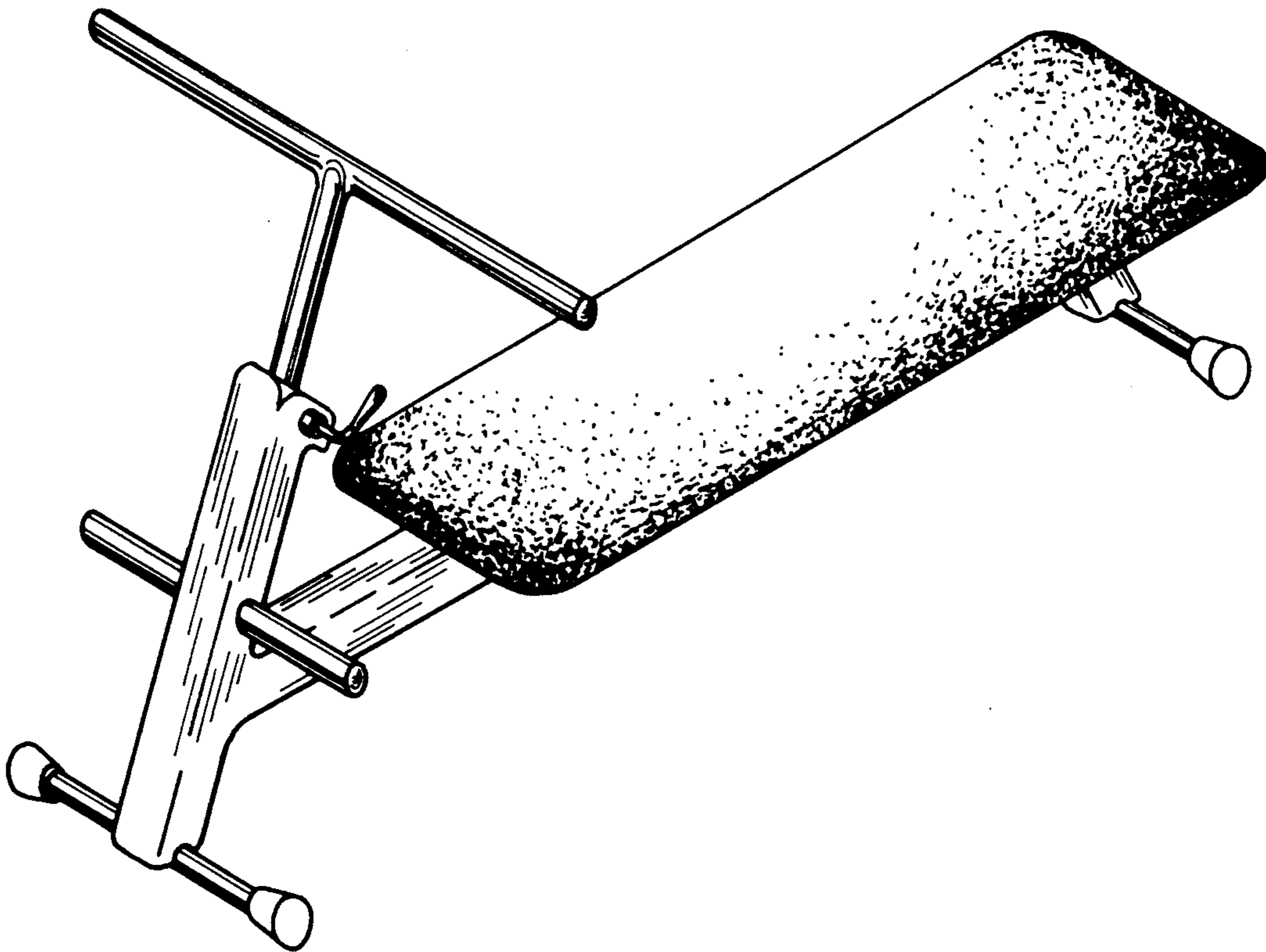
Primary Examiner—Charles A. Rademaker

[57] CLAIM

The ornamental design for a physical exerciser, substantially as shown and described.

DESCRIPTION

FIG. 1 is a perspective view of a physical exerciser showing my new design; FIG. 2 is a right side elevational view thereof, the side opposite being substantially a mirror image; FIG. 3 is a front elevational view thereof; and FIG. 4 is a rear elevational view thereof.



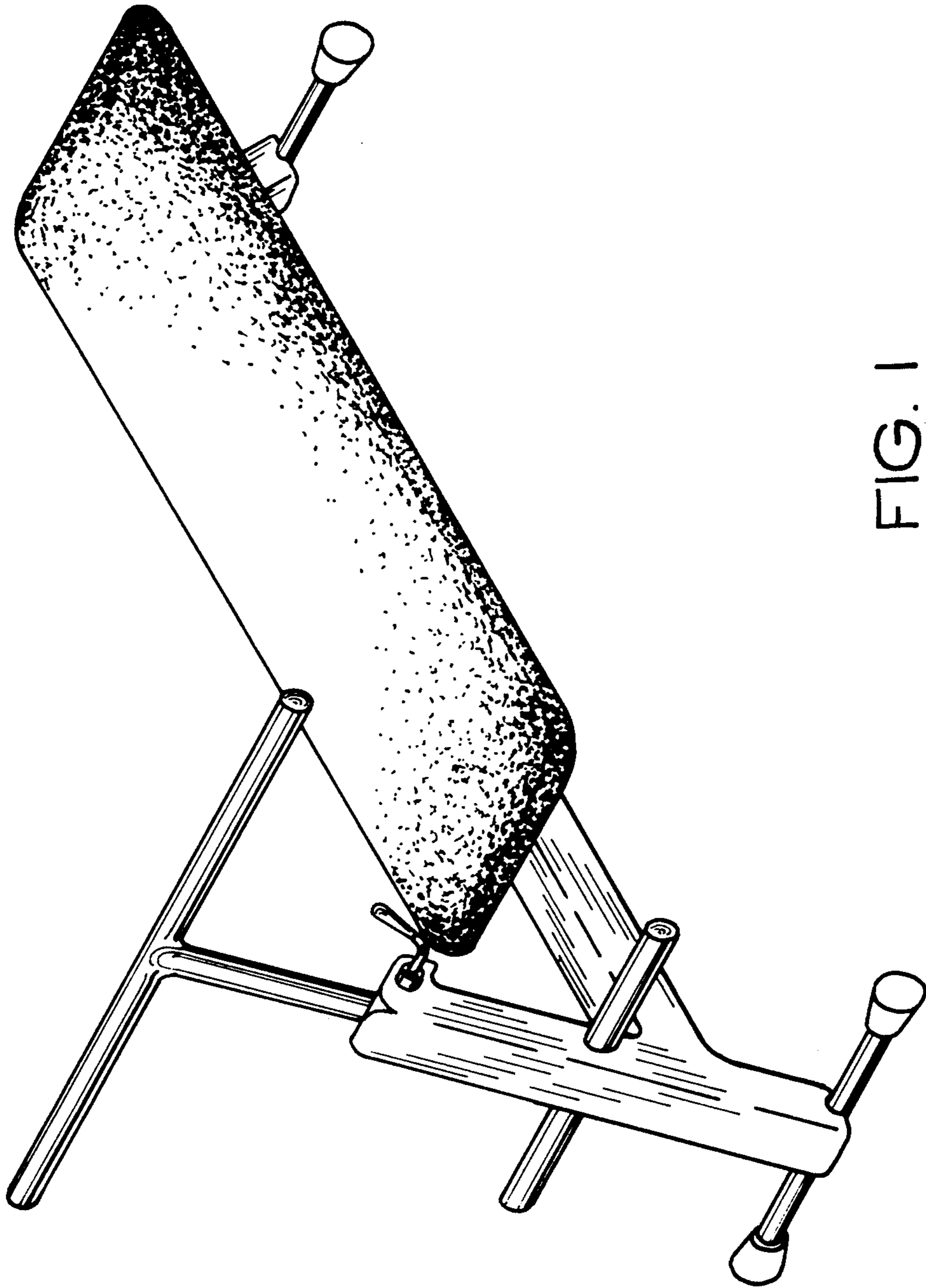


FIG. 1

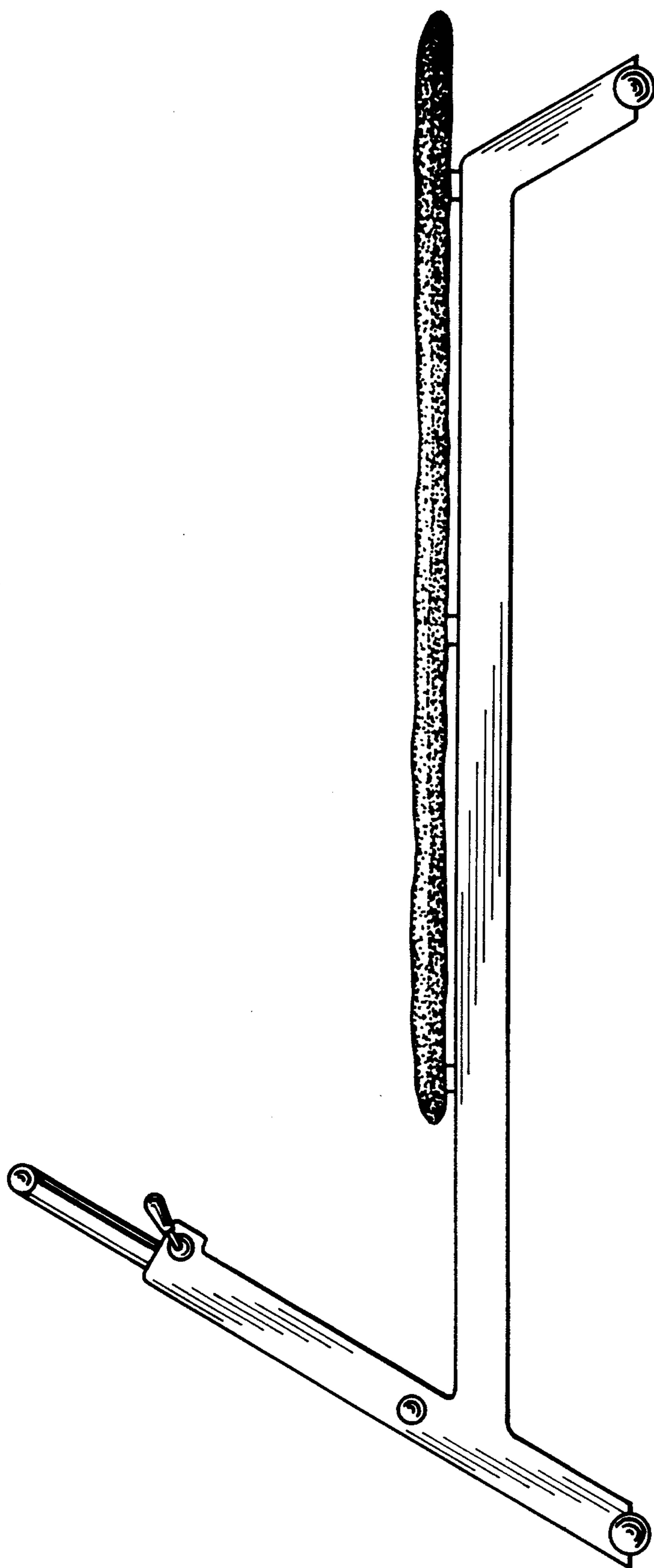


FIG. 2

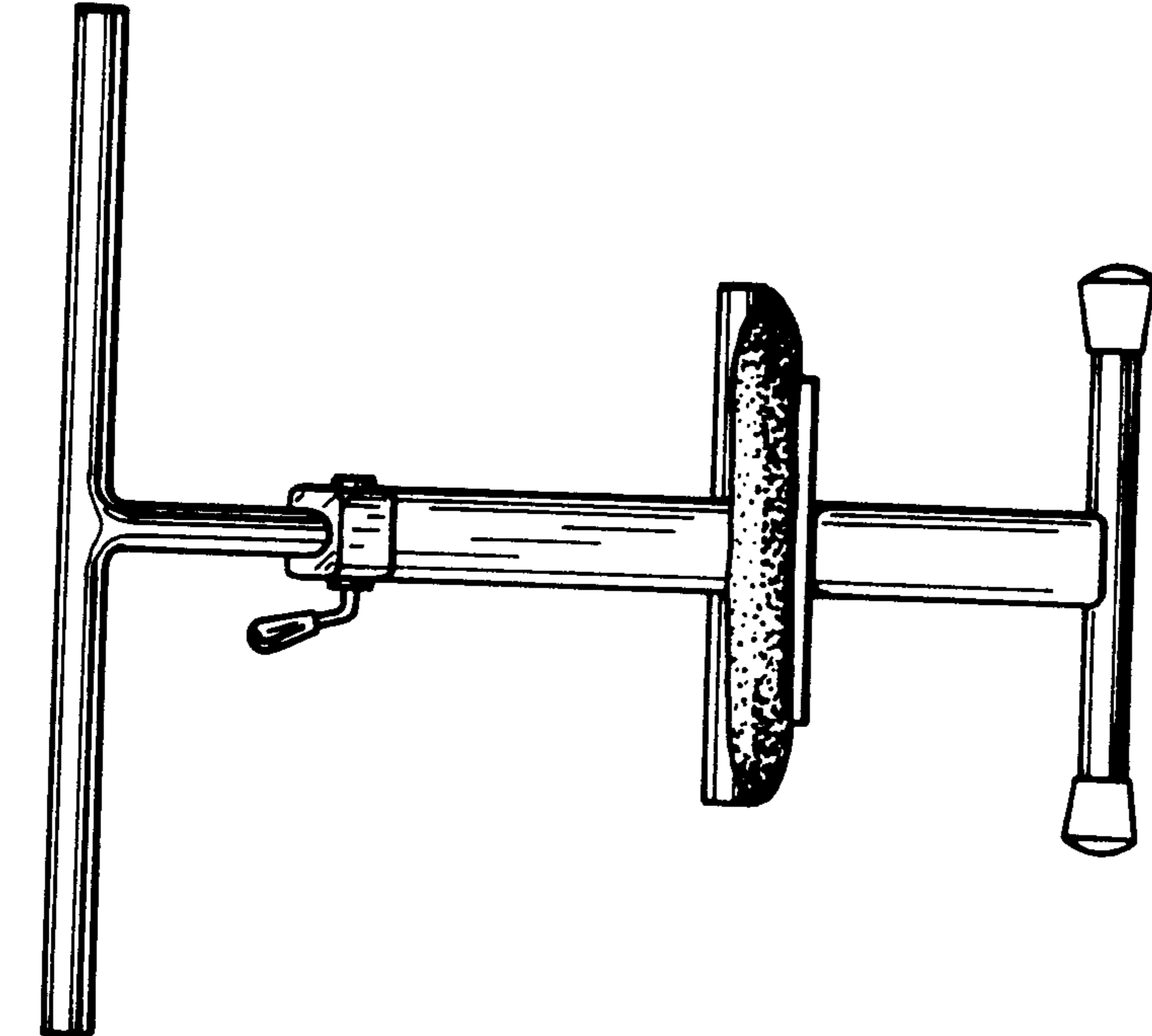


FIG. 3

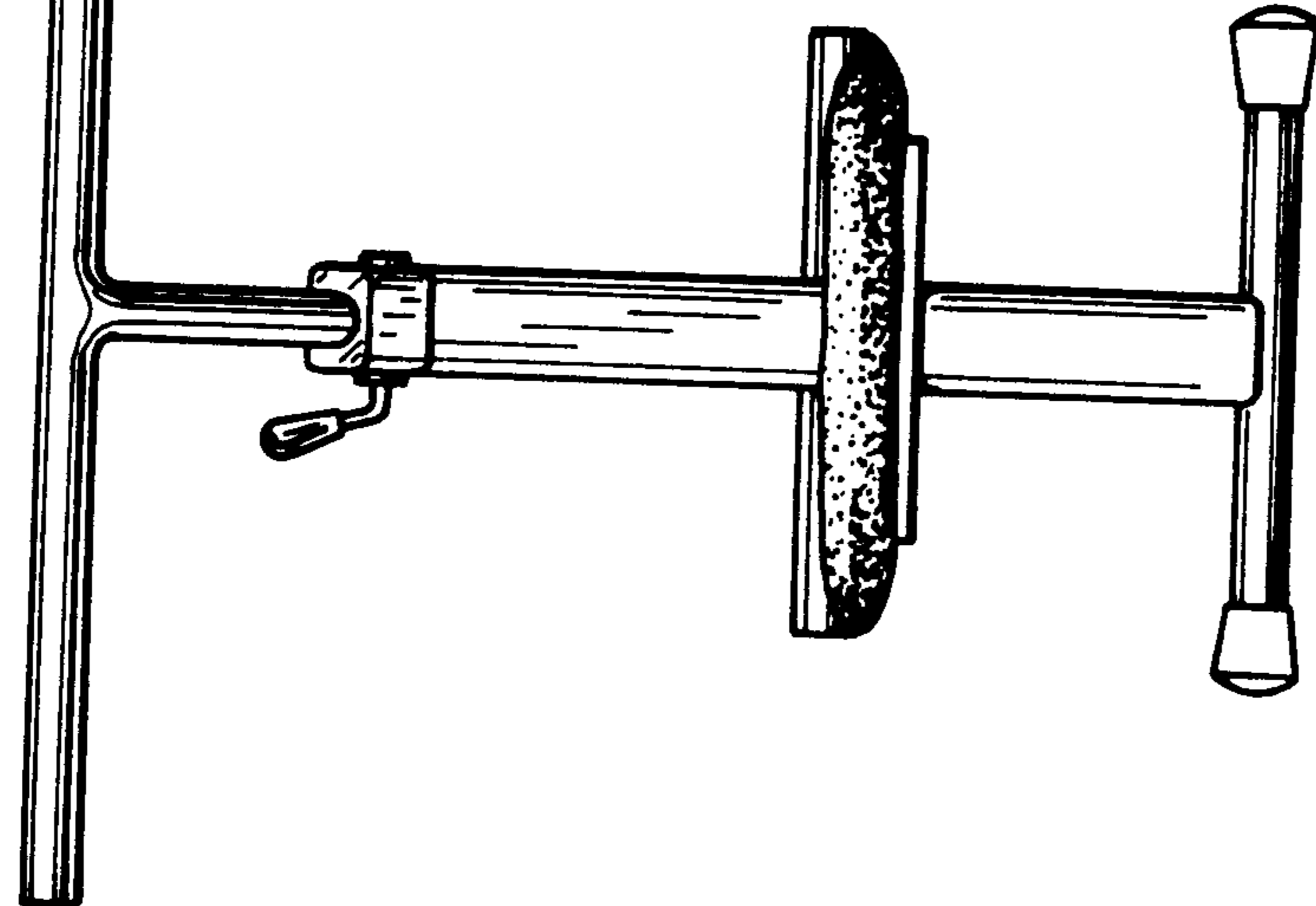


FIG. 4