

[54] IGNITION COIL

[75] Inventors: Michio Iyoda, Aichi; Osamu Sugie, Handa, both of Japan

[73] Assignee: Nippondenso Co. Ltd., Kariya, Japan

[**] Term: 14 Years

[21] Appl. No.: 45,922

[22] Filed: Jun. 6, 1979

[30] Foreign Application Priority Data

Dec. 7, 1978 [JP]	Japan	53-52145
Jan. 24, 1979 [JP]	Japan	54-2316

[51] Int. Cl. D13-02

[52] U.S. Cl. D13/15

[58] Field of Search D13/15; 123/148 D; 174/50, 52 R, 52 PE, 52 S

[56] References Cited

FOREIGN PATENT DOCUMENTS

2635728 2/1977 Fed. Rep. of Germany 123/148 D

Primary Examiner—Susan J. Lucas

Attorney, Agent, or Firm—Cushman, Darby & Cushman

[57] CLAIM

The ornamental design for an ignition coil, substantially as shown and described.

DESCRIPTION

FIG. 1 is a perspective view of an ignition coil showing a first embodiment of our new design;

FIG. 2 is an elevational left end view thereof;

FIG. 3 is an elevational right end view thereof;

FIG. 4 is a bottom plan view thereof;

FIG. 5 is an elevational rear view thereof;

FIG. 6 is a perspective view of an ignition coil showing a second embodiment of our new design;

FIG. 7 is an elevational right end view thereof;

FIG. 8 is an elevational left end view thereof;

FIG. 9 is an elevational rear view thereof;

FIG. 10 is a bottom plan view thereof.

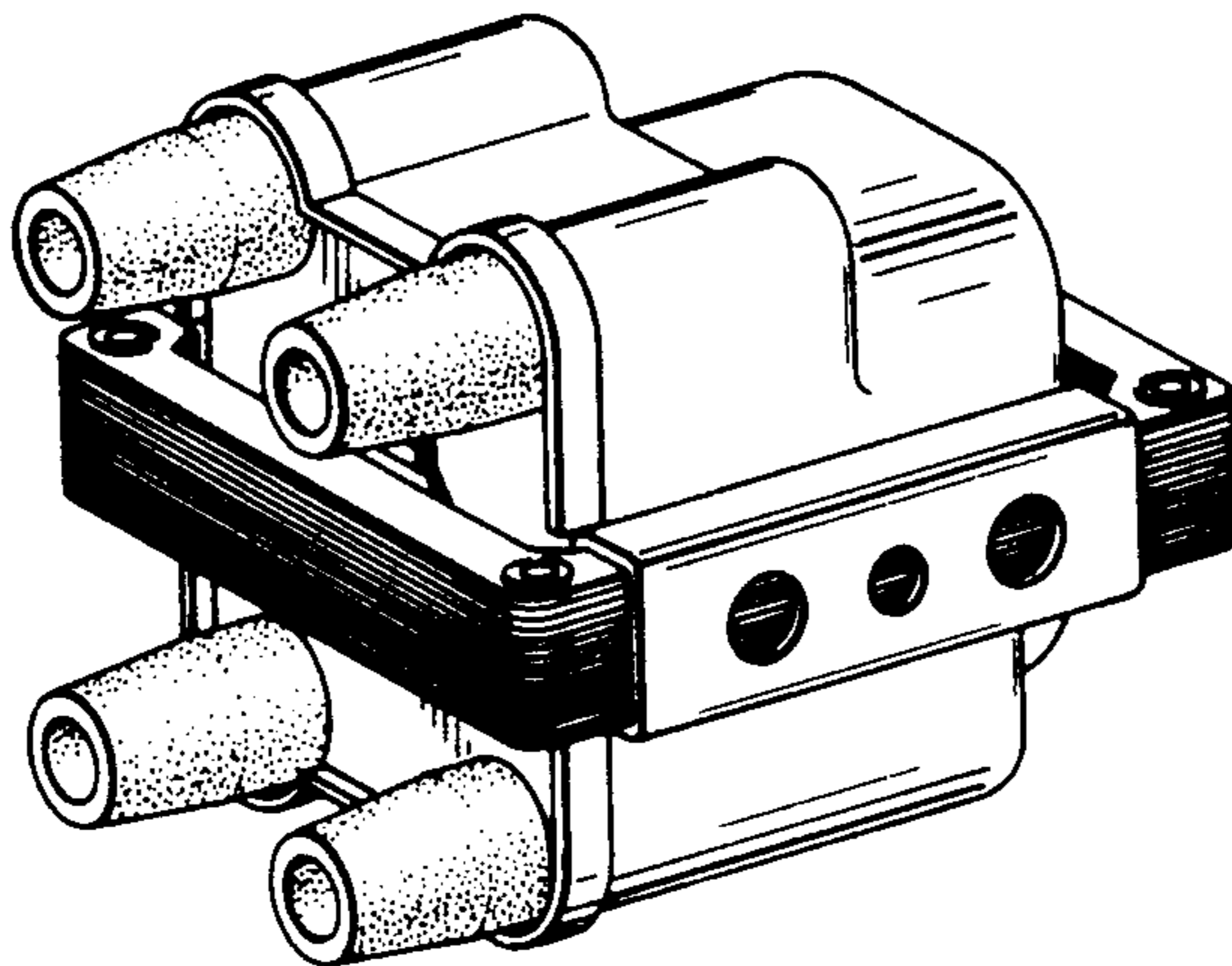


FIG. 1

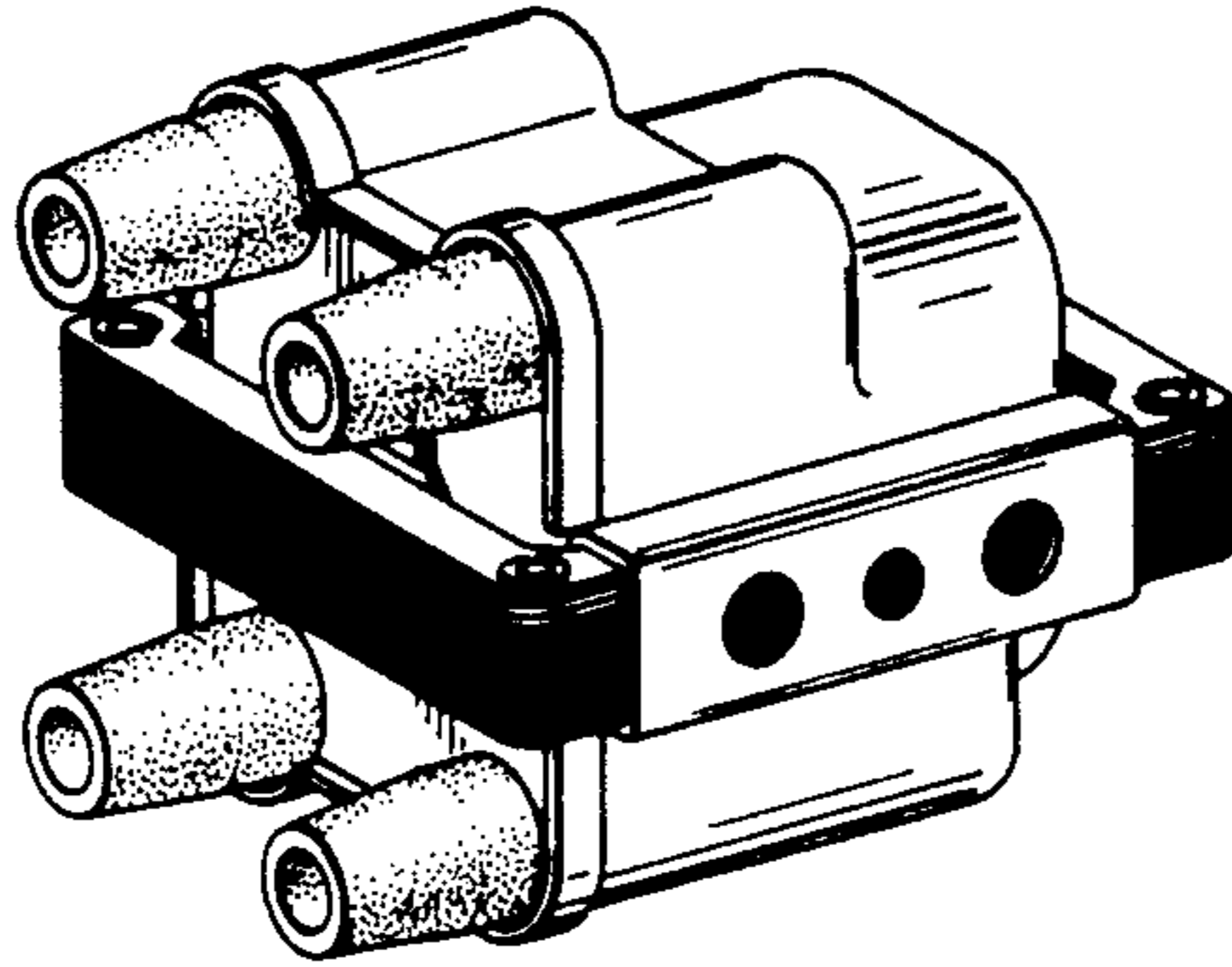


FIG. 2

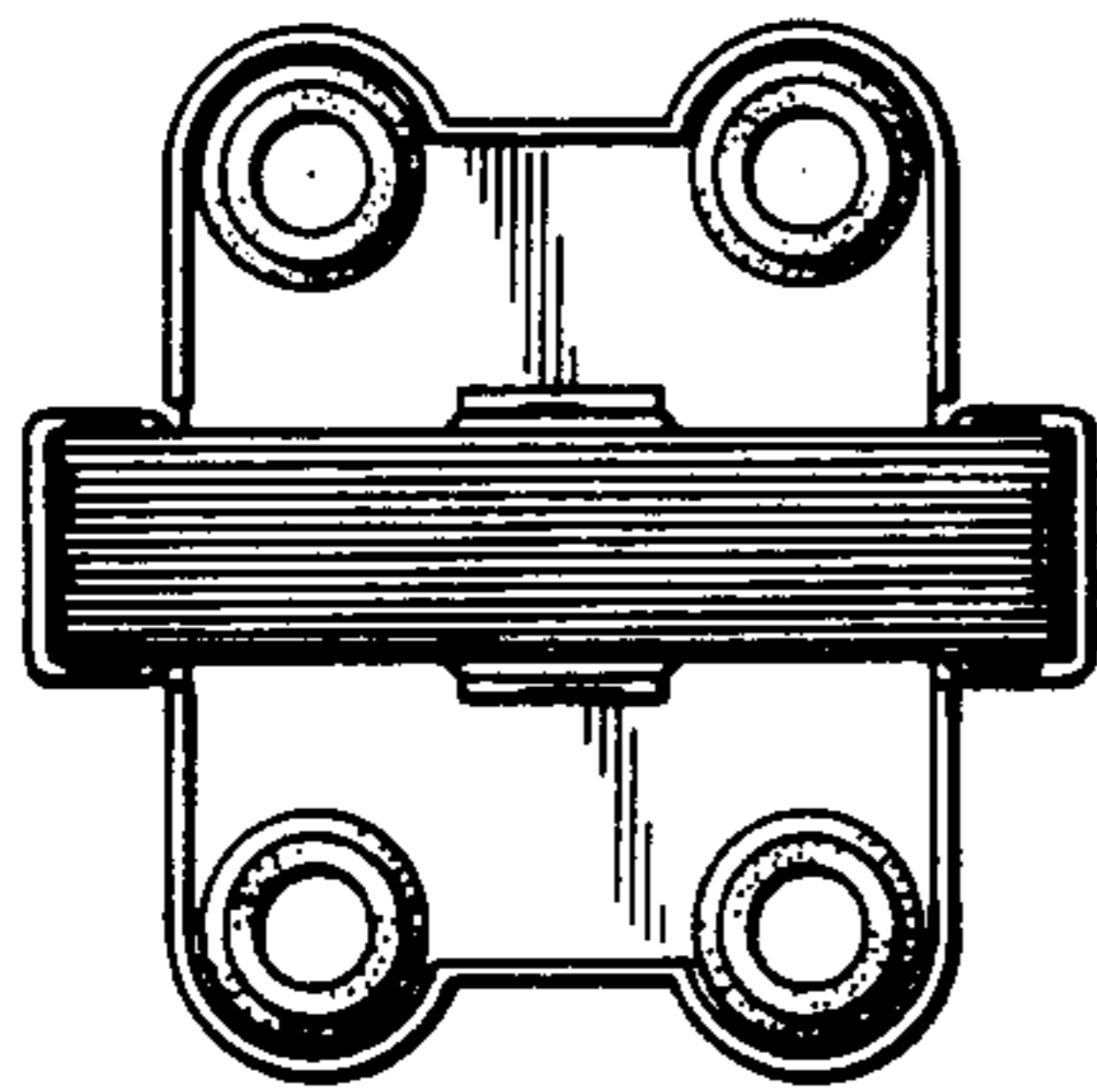


FIG. 3

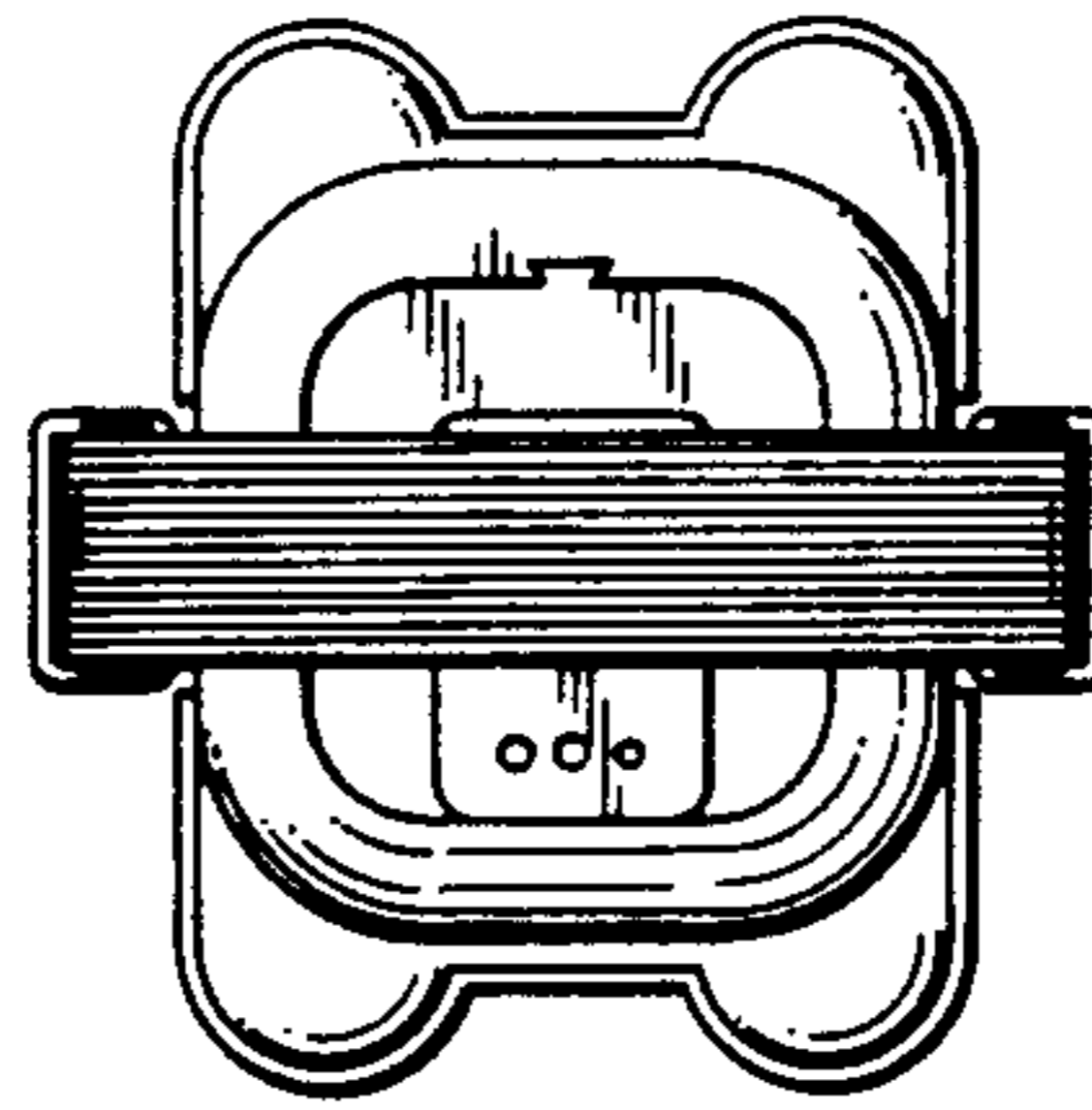


FIG. 4

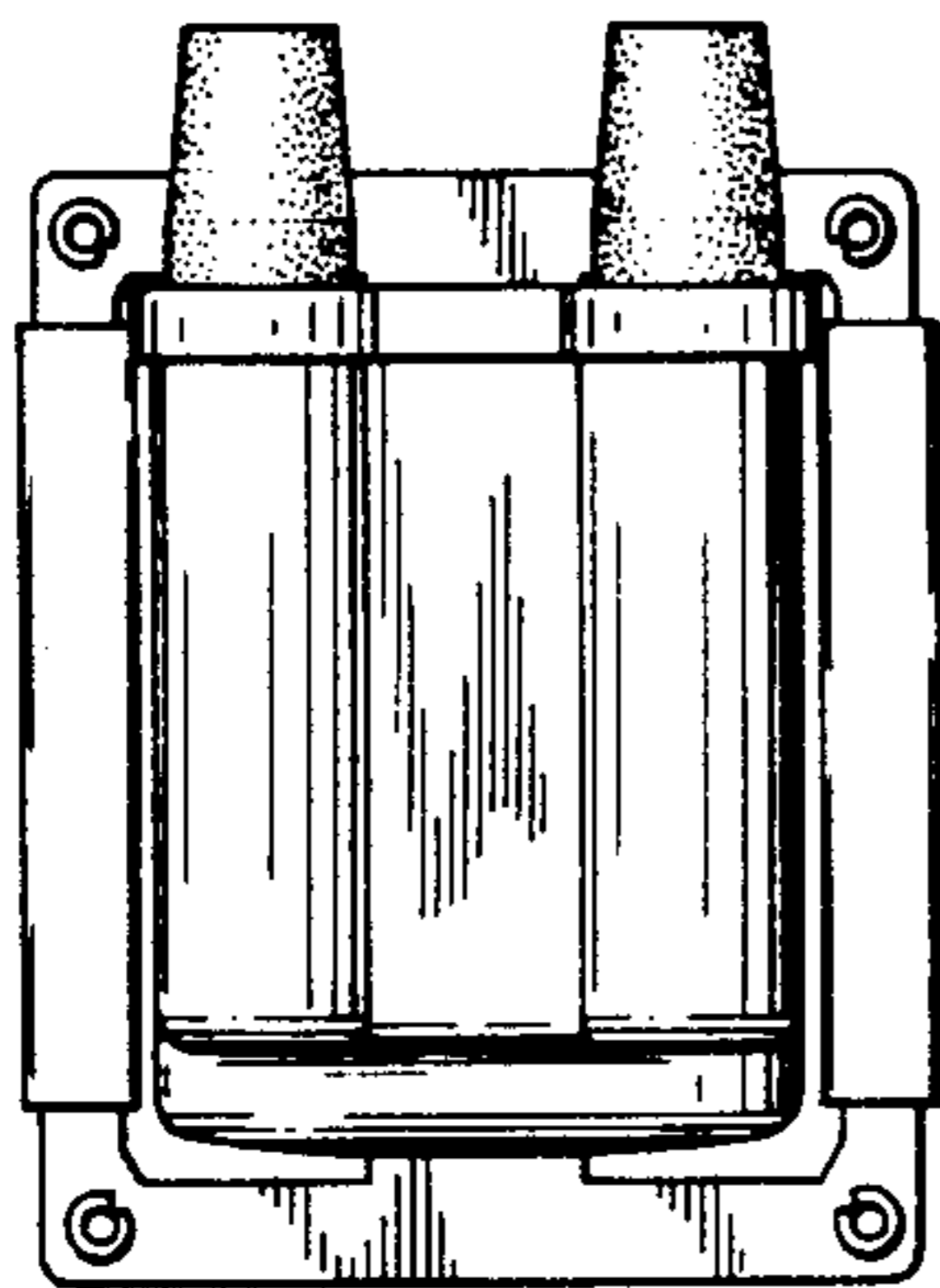


FIG. 5

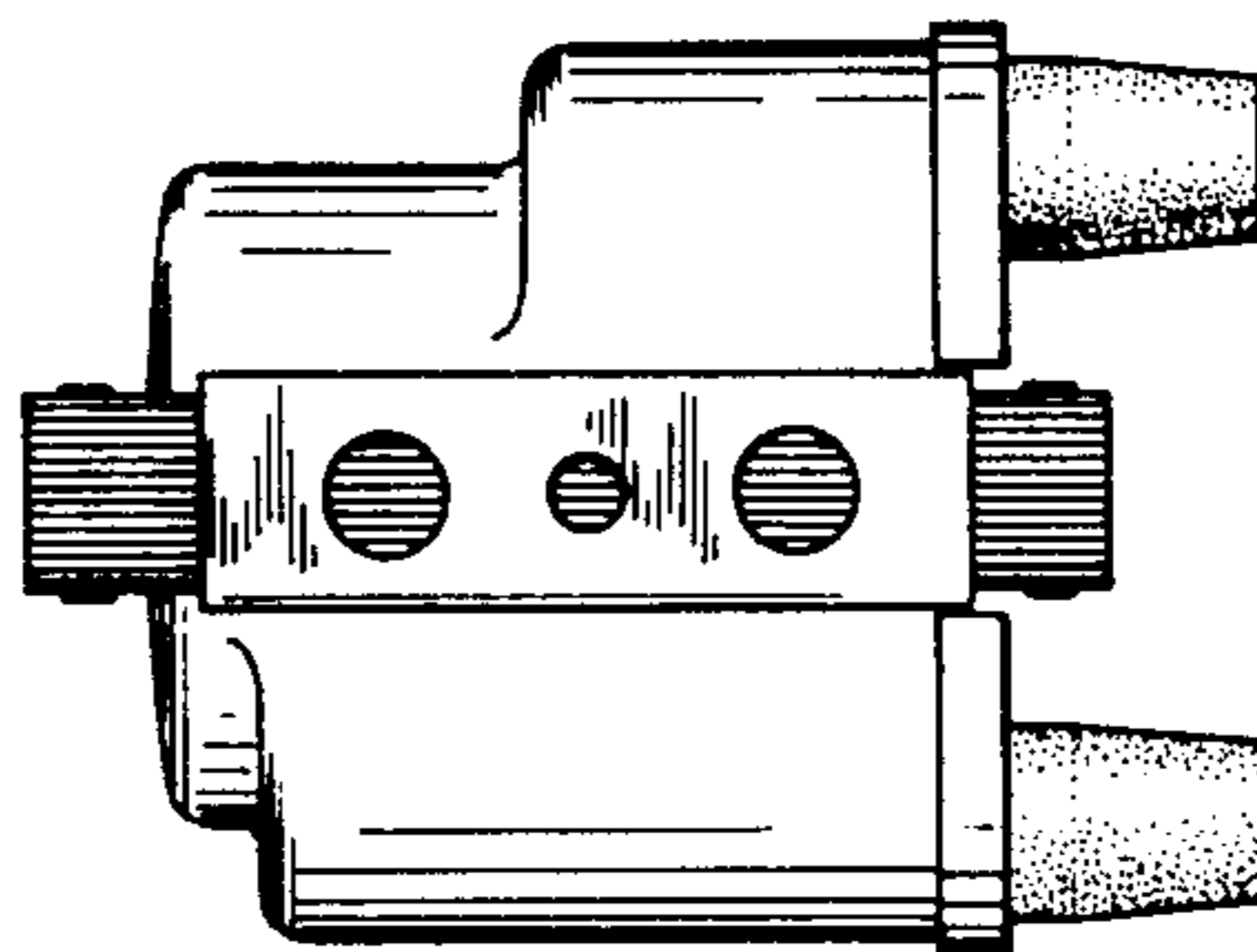


FIG. 6

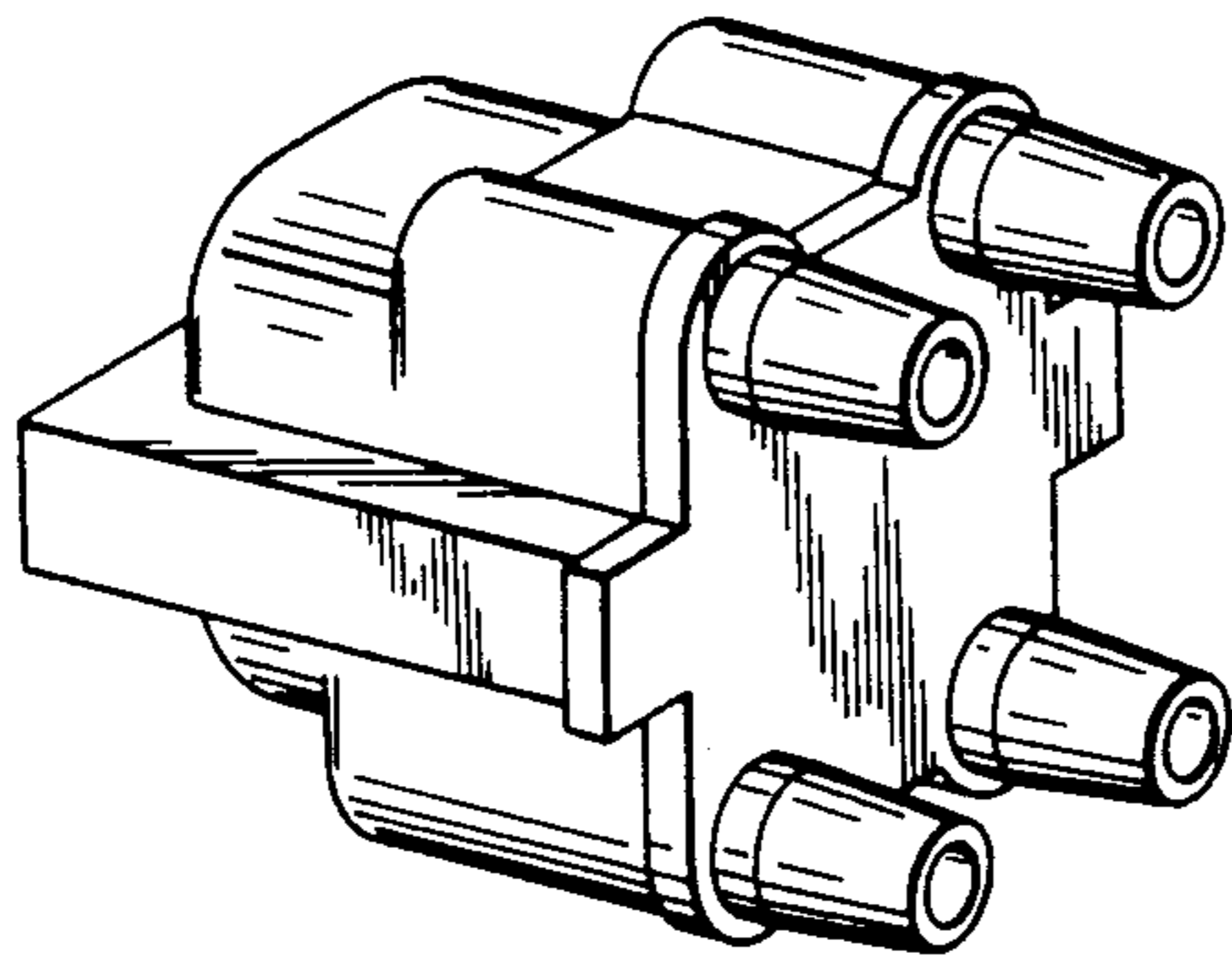


FIG. 7

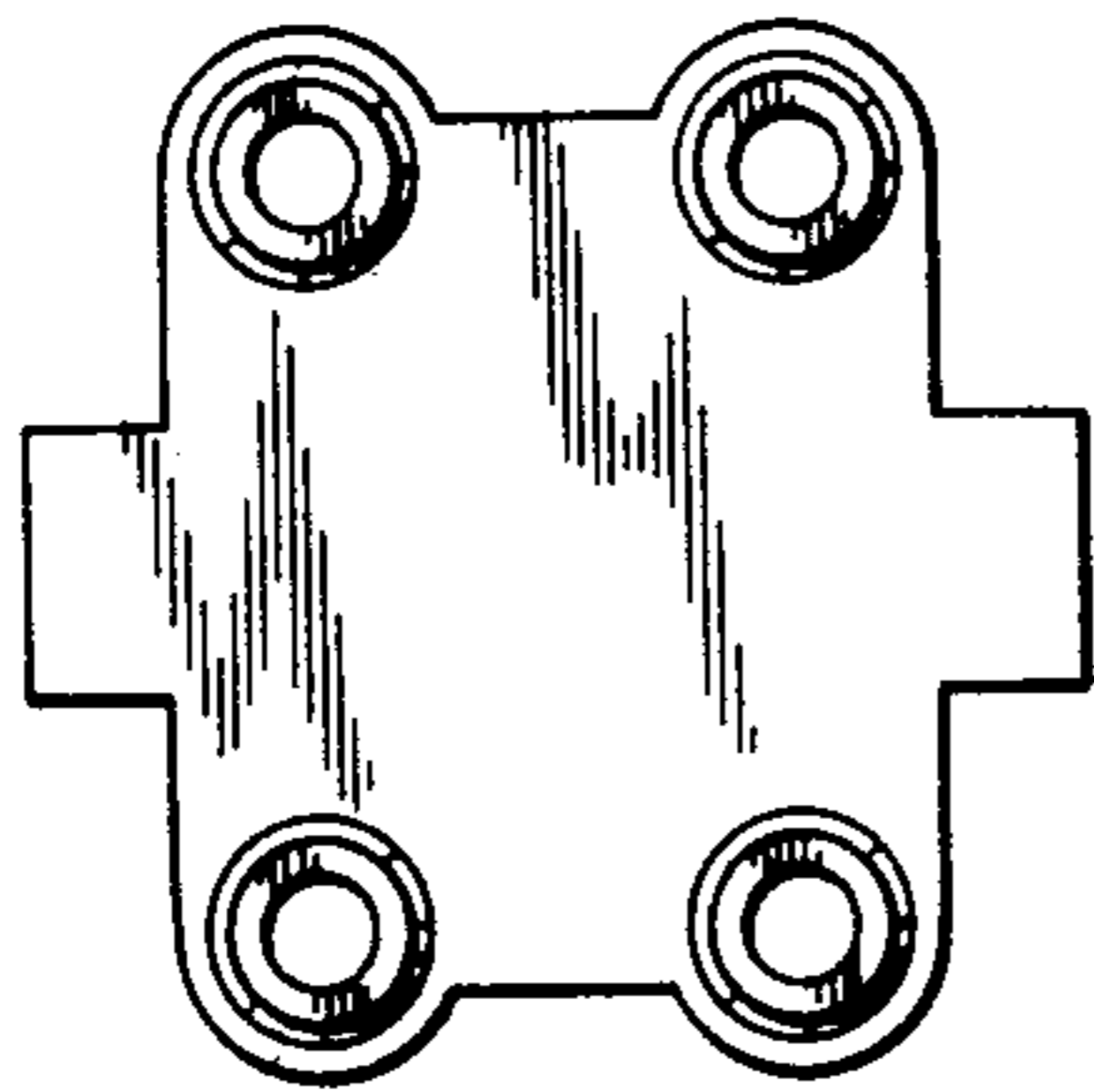


FIG. 8

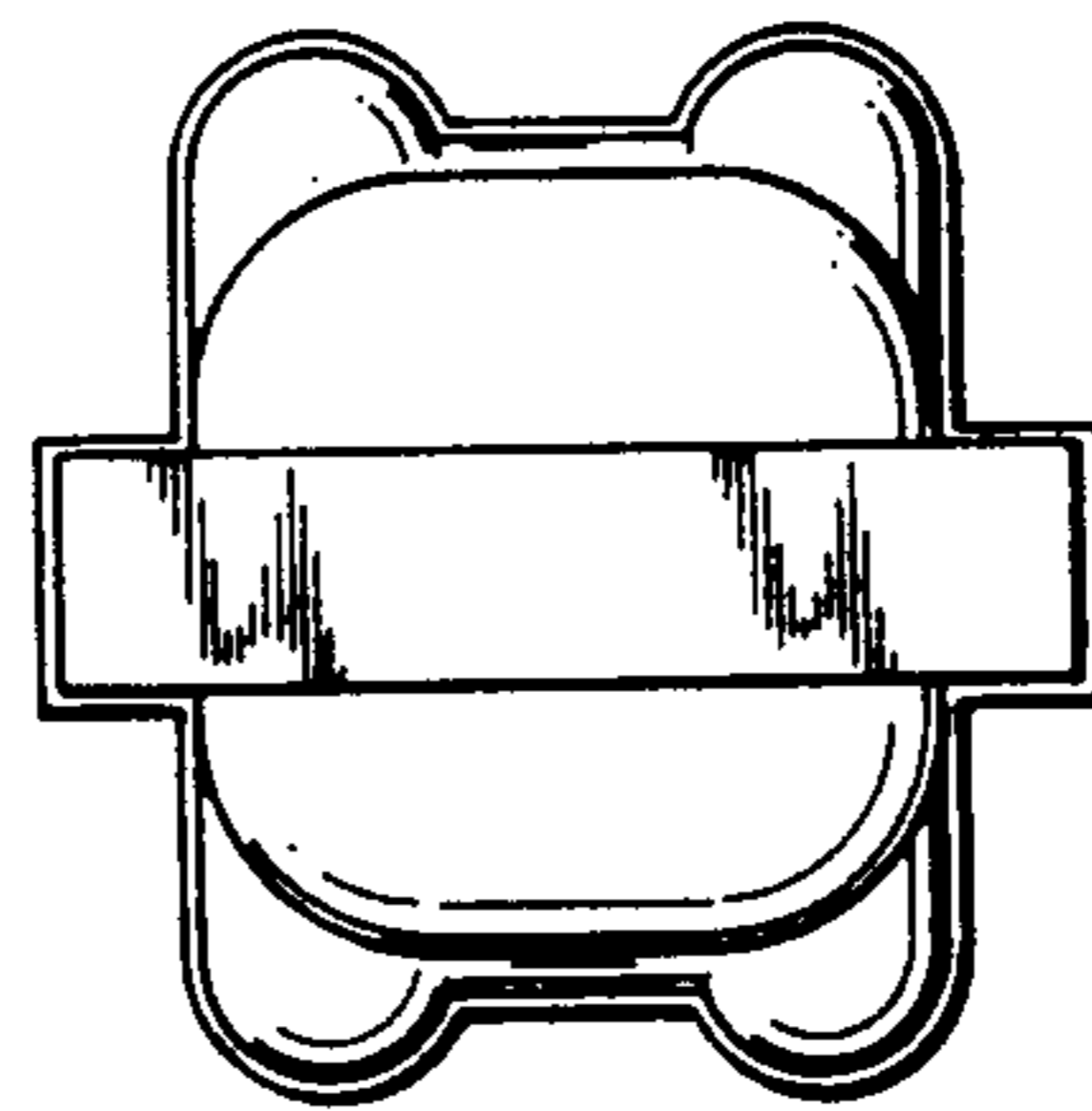


FIG. 9

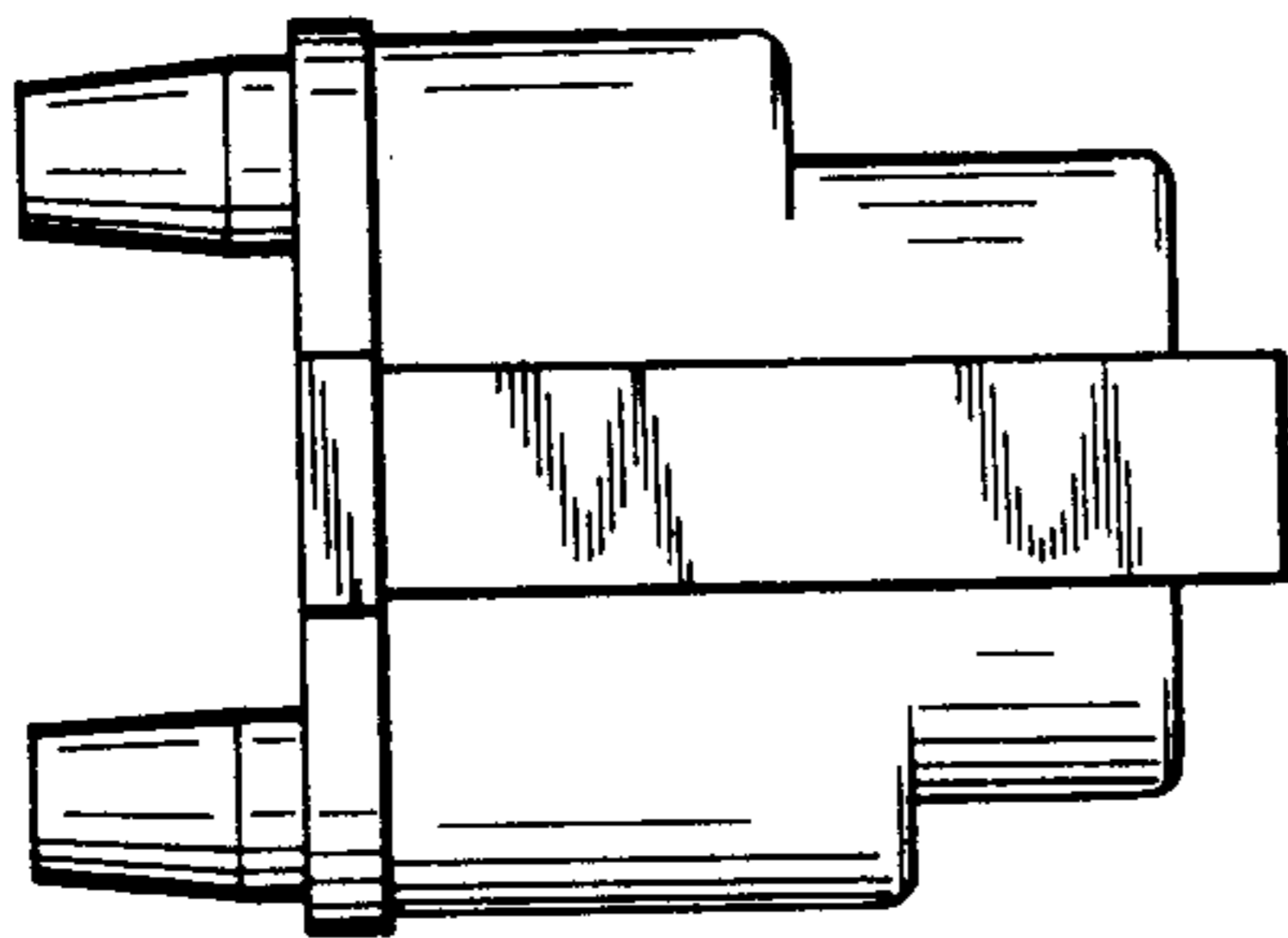


FIG. 10

