

[54] TRAILER SWING HITCH

[76] Inventor: Woodrow Jackson, 423 W. Bedford, Marshfield, Mo. 65706

[**] Term: 14 Years

[21] Appl. No.: 17,383

[22] Filed: Mar. 5, 1979

[51] Int. Cl. D12-16

[52] U.S. Cl. D12/162

[58] Field of Search D12/162; 280/412, 444, 280/456 R, 462, 478 A, 478 B, 478 R, 482, 491 A, 491 B, 495, 511-513

[56] References Cited

U.S. PATENT DOCUMENTS

2,918,310	12/1959	Carson	D12/162
4,050,714	9/1977	Epp	280/495
4,073,508	2/1978	George et al.	280/491 B

Primary Examiner—James M. Gandy
Attorney, Agent, or Firm—Phillip A. Rein

[57] CLAIM

The ornamental design for a trailer swing hitch, as shown and described.

DESCRIPTION

FIG. 1 is a perspective view of the trailer swing hitch showing my new design;

FIG. 2 is a top plan view thereof on a reduced scale;

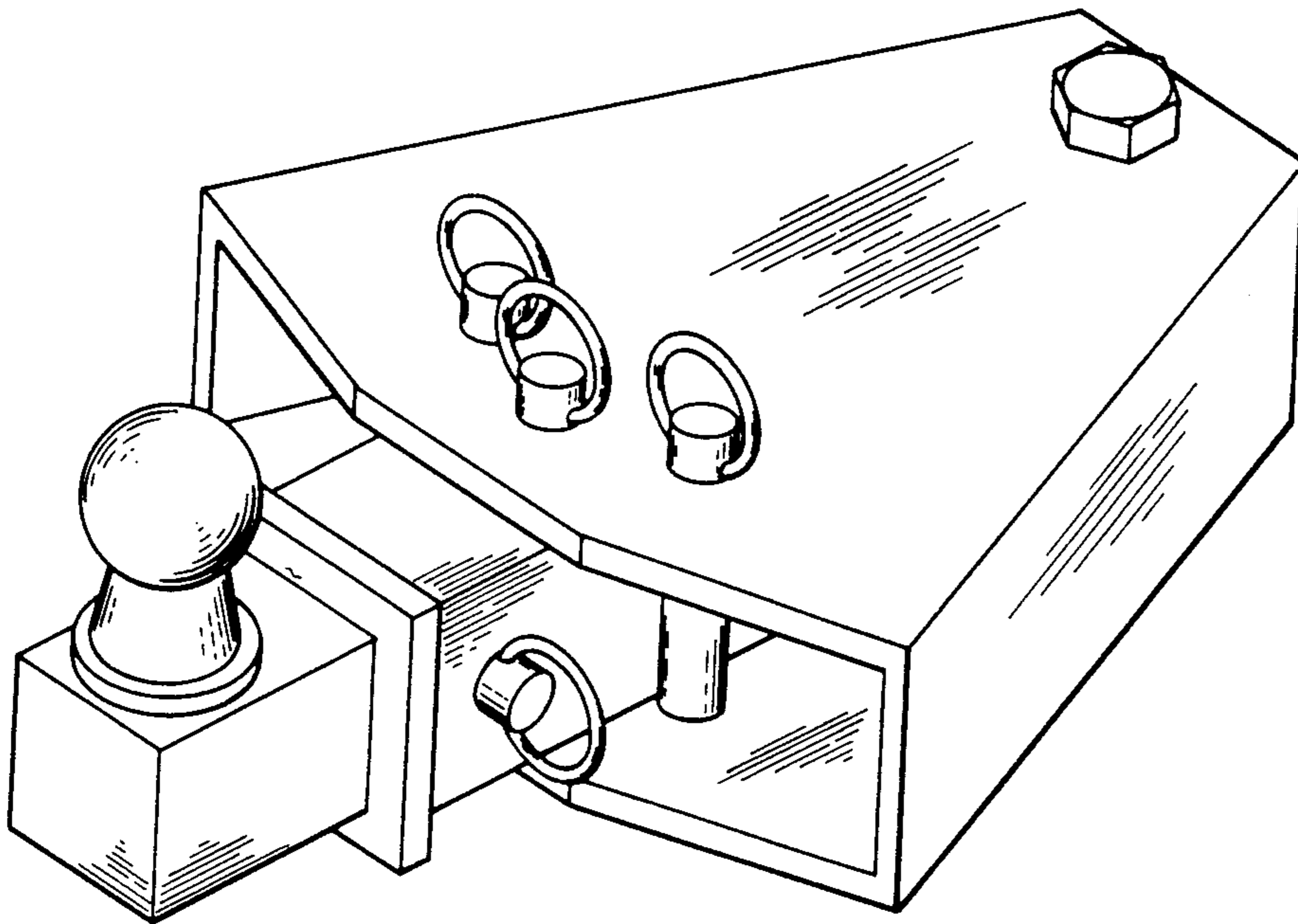
FIG. 3 is a front elevational view thereof on a reduced scale;

FIG. 4 is a rear elevational view thereof on a reduced scale;

FIG. 5 is a side elevational view thereof on a reduced scale;

FIG. 6 is a bottom plan view thereof on a reduced scale; and

FIG. 7 is a side elevational view thereof on a reduced scale opposite to the side shown in FIG. 5.



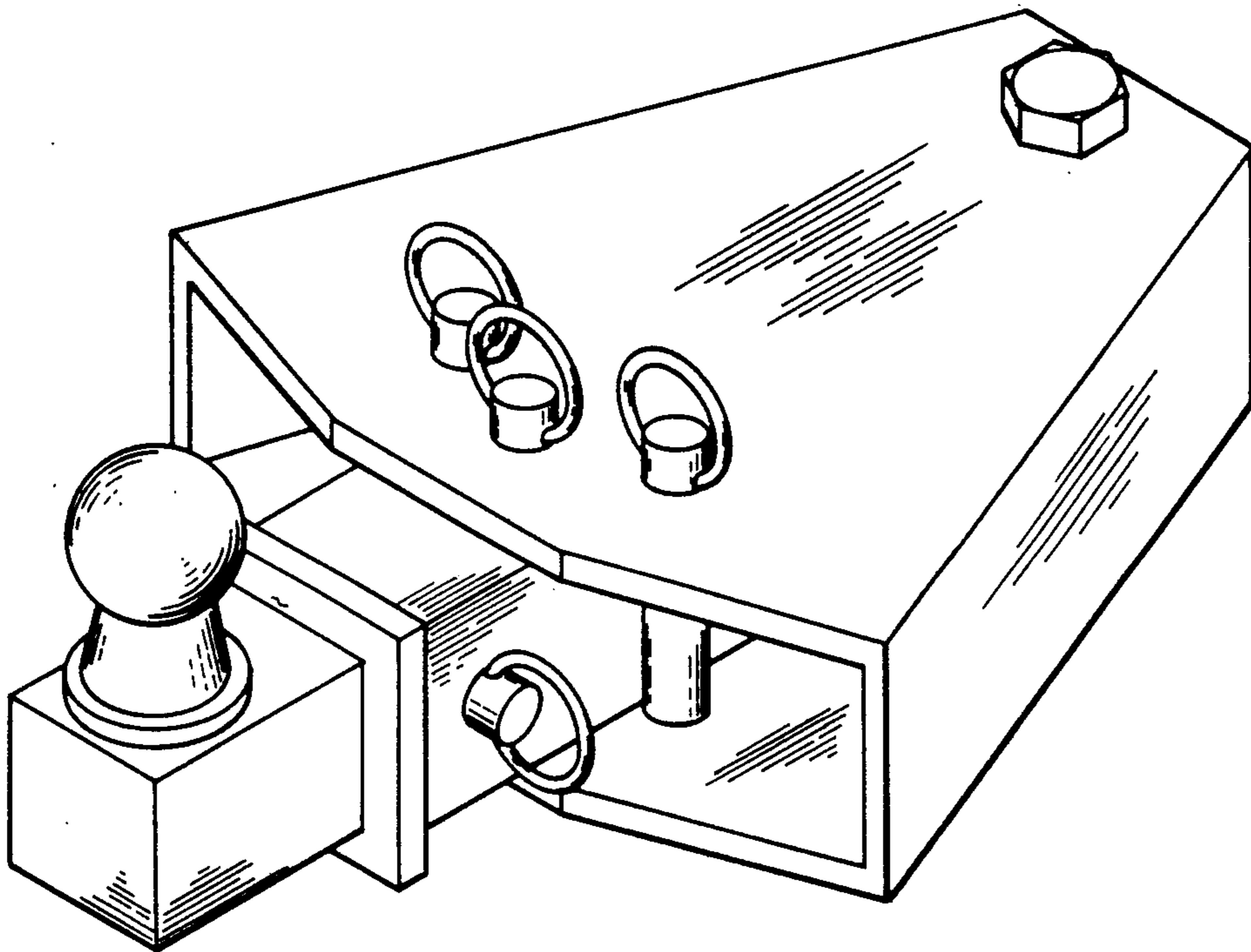


FIG. 1

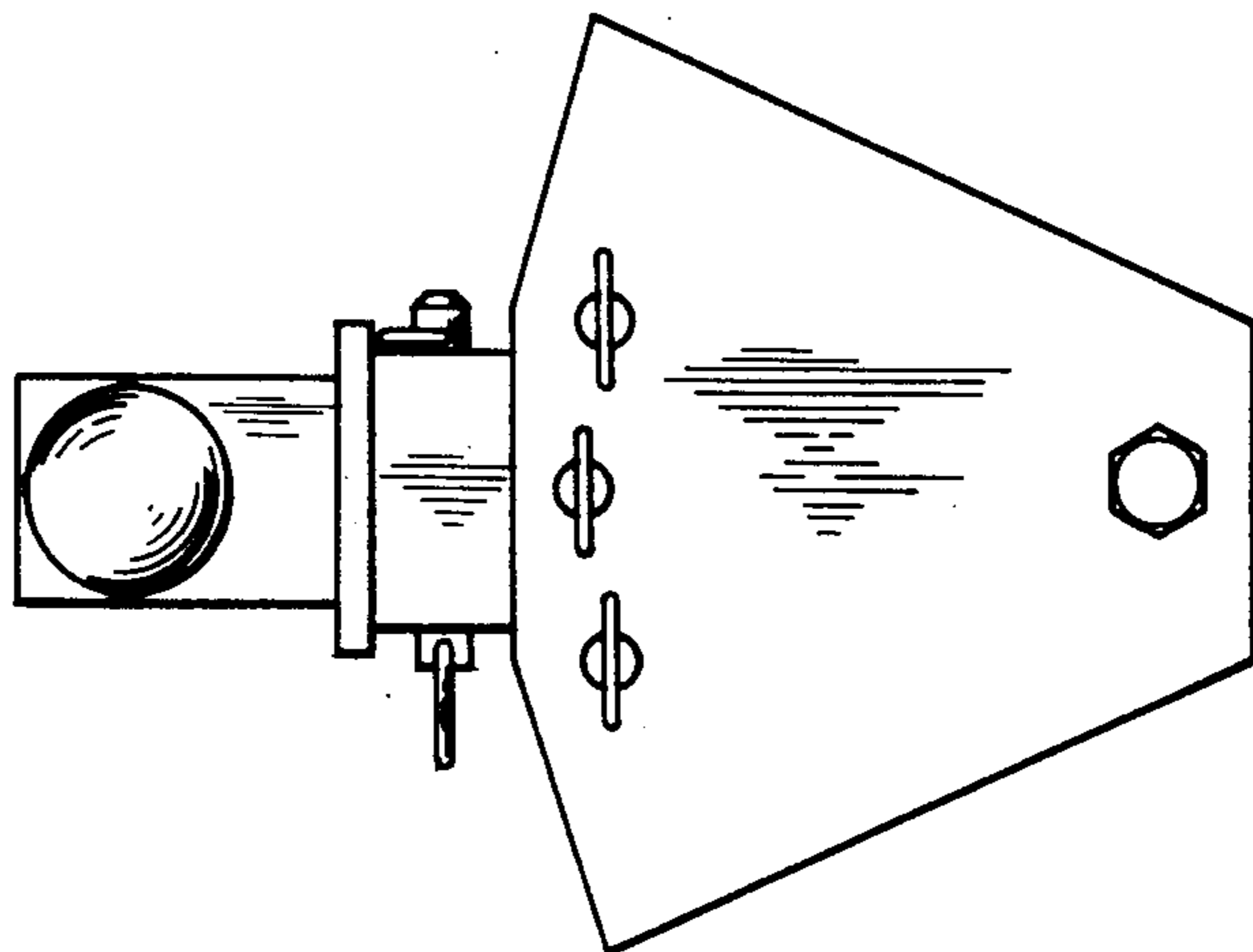


FIG. 2

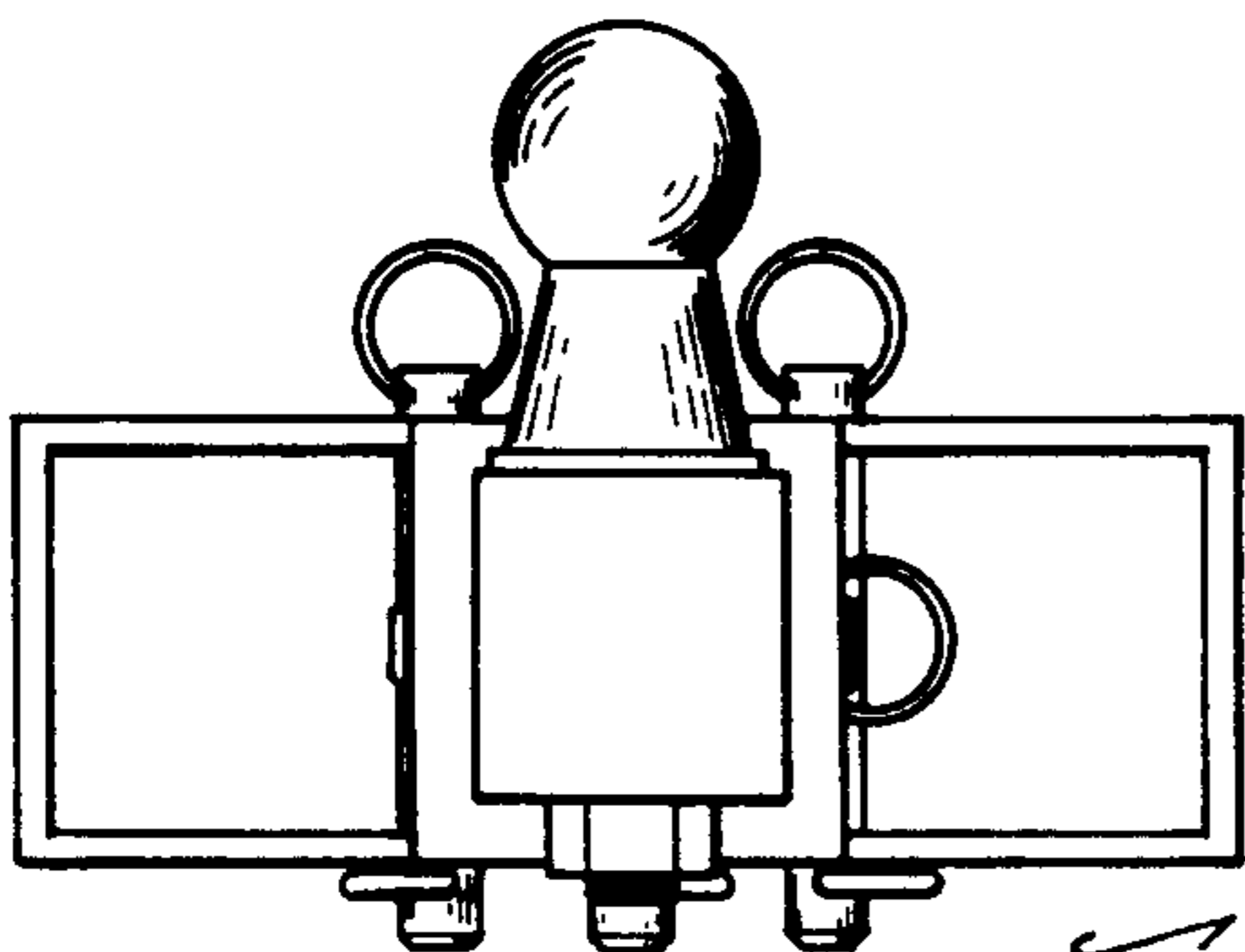


FIG. 3

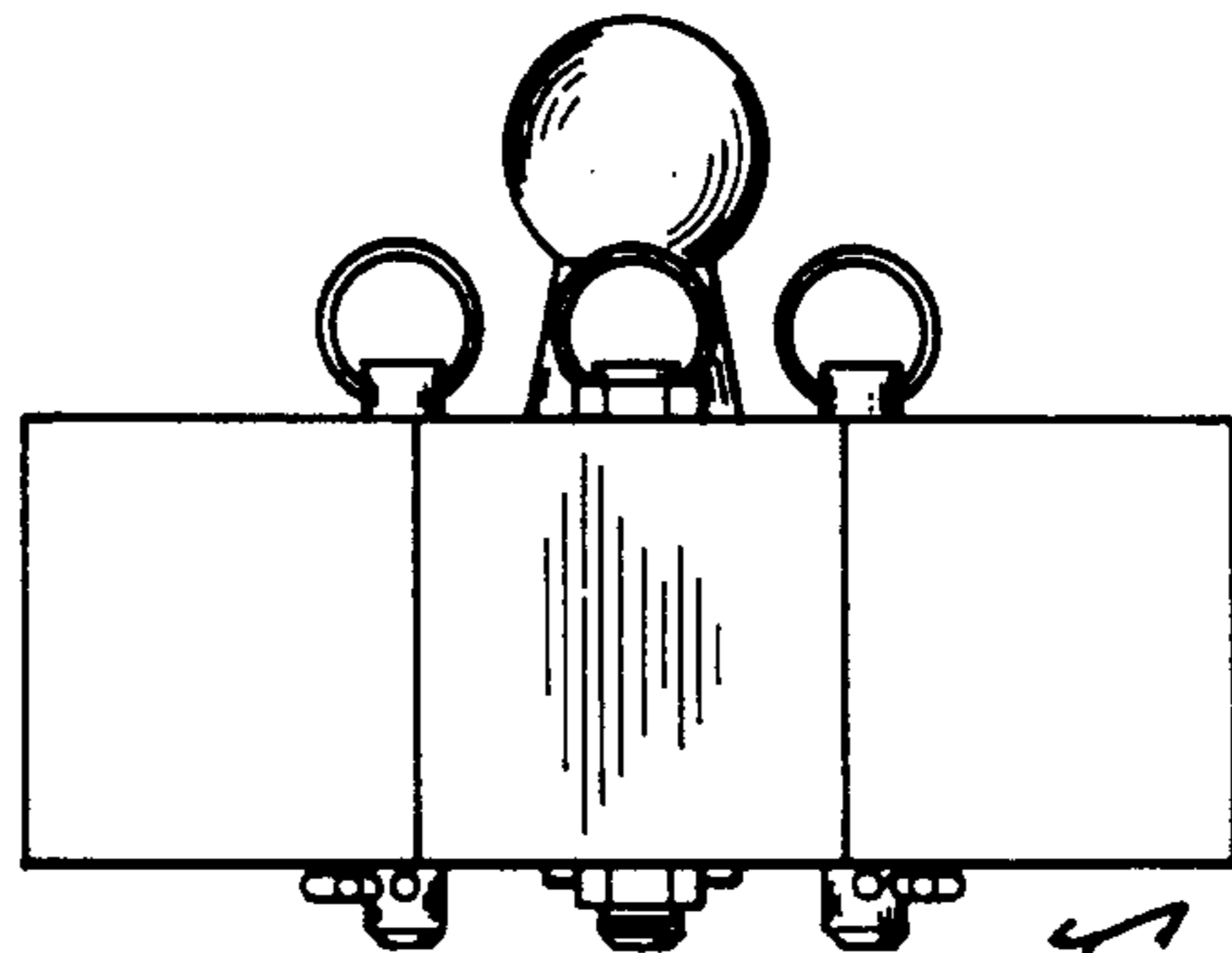


FIG. 4

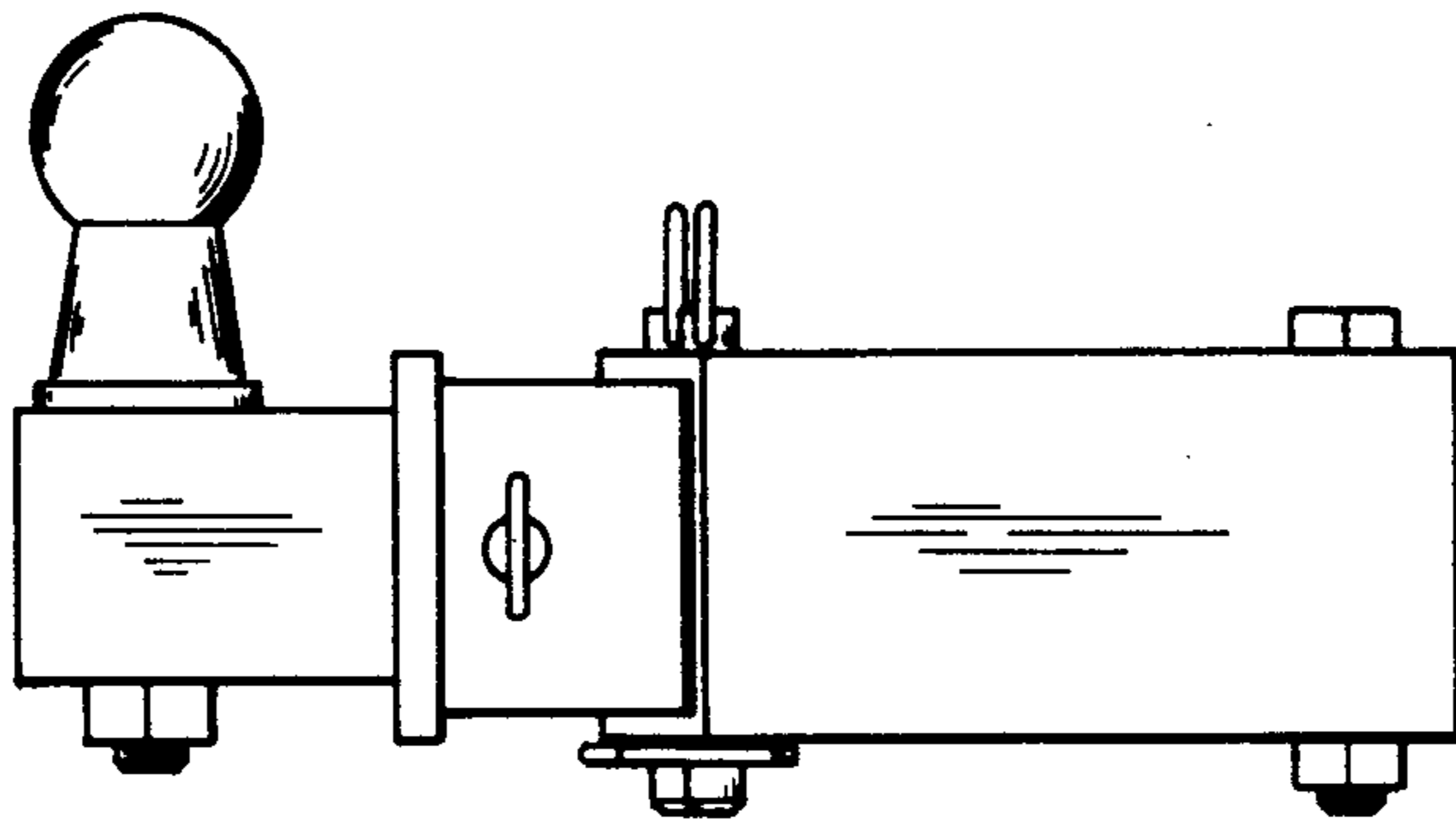


FIG. 5

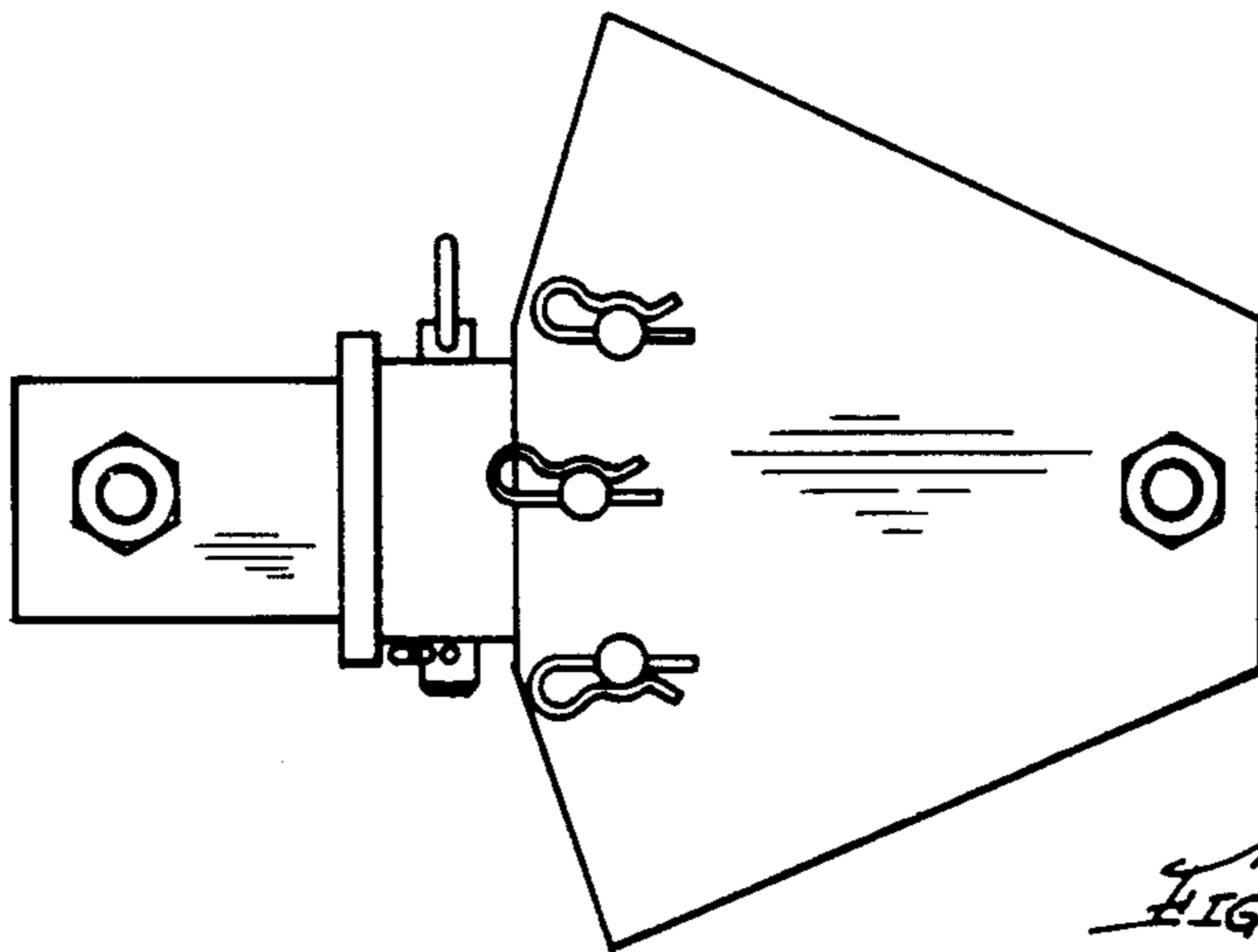


FIG. 6

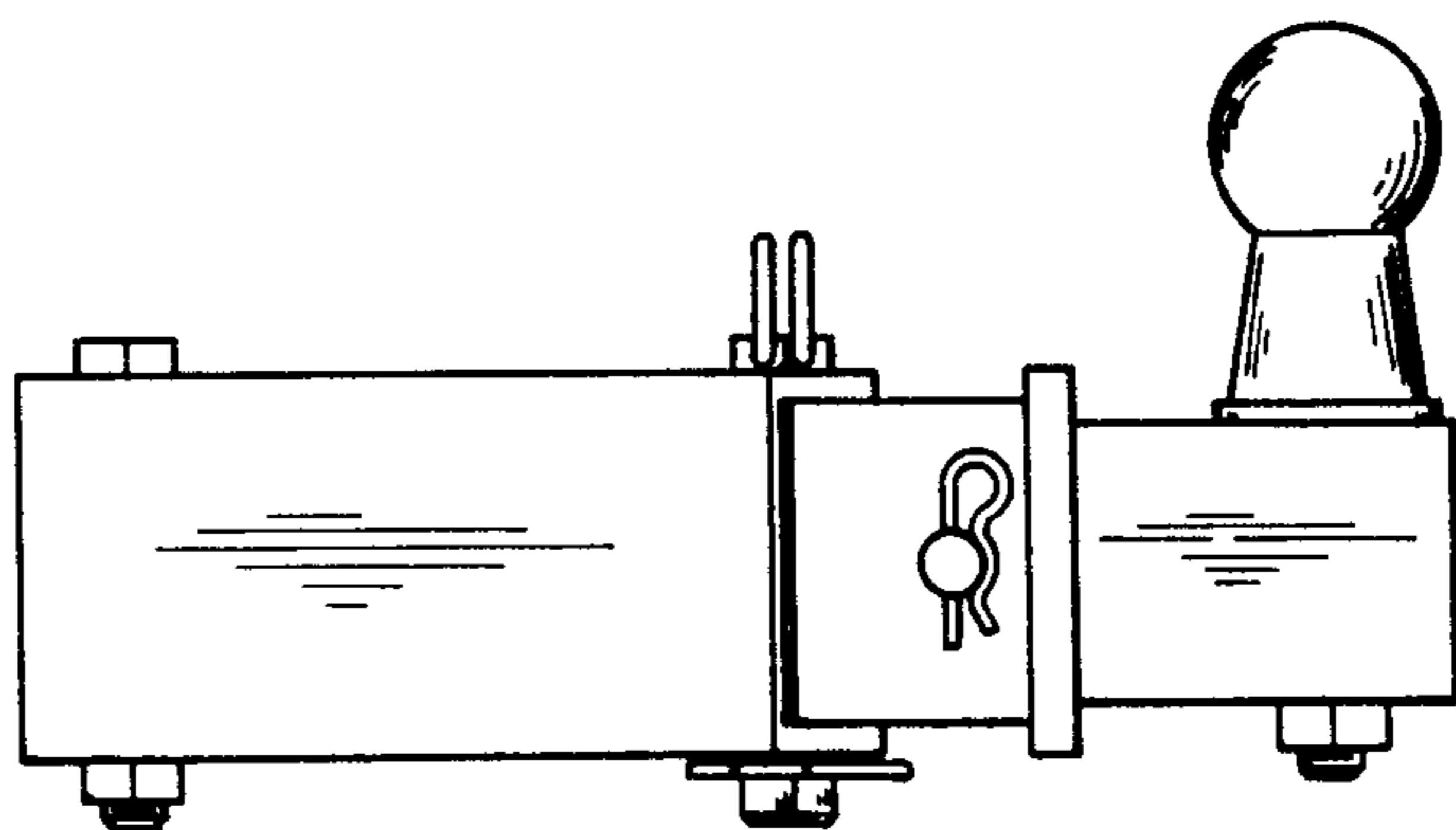


FIG. 7