

[54] SIREN FOR CYCLE-TYPE VEHICLES

[75] Inventor: Mason Benson, Red Bank, N.J.

[73] Assignee: Carolina Enterprises, Inc., New York, N.Y.

[**] Term: 14 Years

[21] Appl. No.: 929,129

[22] Filed: Jul. 27, 1978

[51] Int. Cl. D10-06

[52] U.S. Cl. D10/120

[58] Field of Search D10/120; 340/405, 404, 340/384 R; 116/147, 142, 137

[56] References Cited

U.S. PATENT DOCUMENTS

D. 215,977	11/1969	Berns	D10/120
D. 253,401	11/1979	Benson et al.	D10/120
2,220,222	11/1940	Duncan	340/405 X
2,766,448	10/1956	Ritchey	340/405

Primary Examiner—Susan J. Lucas
Attorney, Agent, or Firm—Kirschstein, Kirschstein, Ottinger & Cobrin

[57] CLAIM

The ornamental design for a siren for cycle-type vehicles, substantially as shown and described.

DESCRIPTION

FIG. 1 is a right front perspective view of the siren for cycle-type vehicles showing my new design;

FIG. 2 is a top view of the siren for cycle-type vehicles on an enlarged scale;

FIG. 3 is a front view of the siren for cycle-type vehicles on an enlarged scale;

FIG. 4 is a left side view of the siren for cycle-type vehicles on an enlarged scale;

FIG. 5 is a rear view of the siren for cycle-type vehicles on an enlarged scale; and

FIG. 6 is a bottom view of the siren for cycle-type vehicles on an enlarged scale.

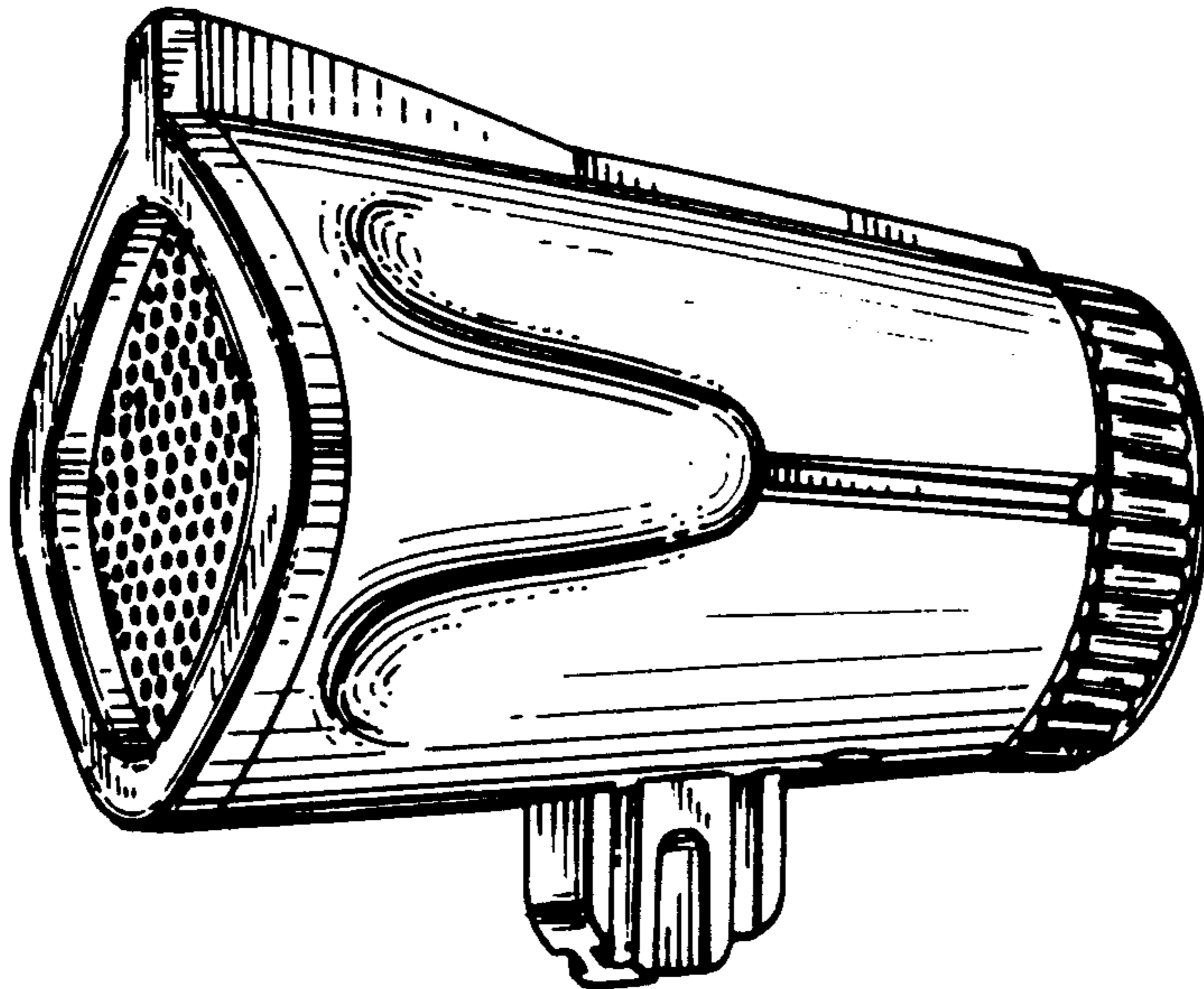


FIG. 1

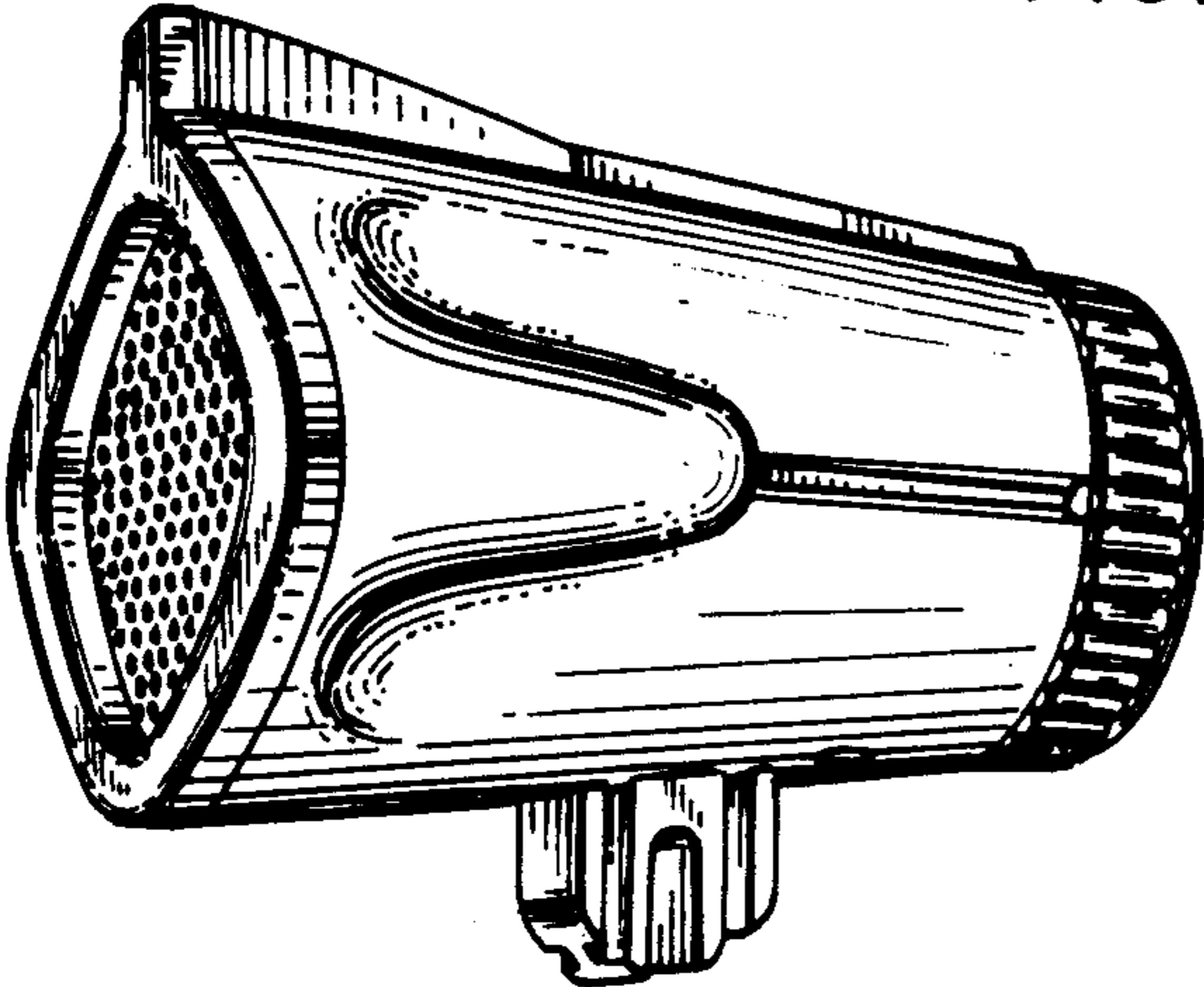


FIG. 2

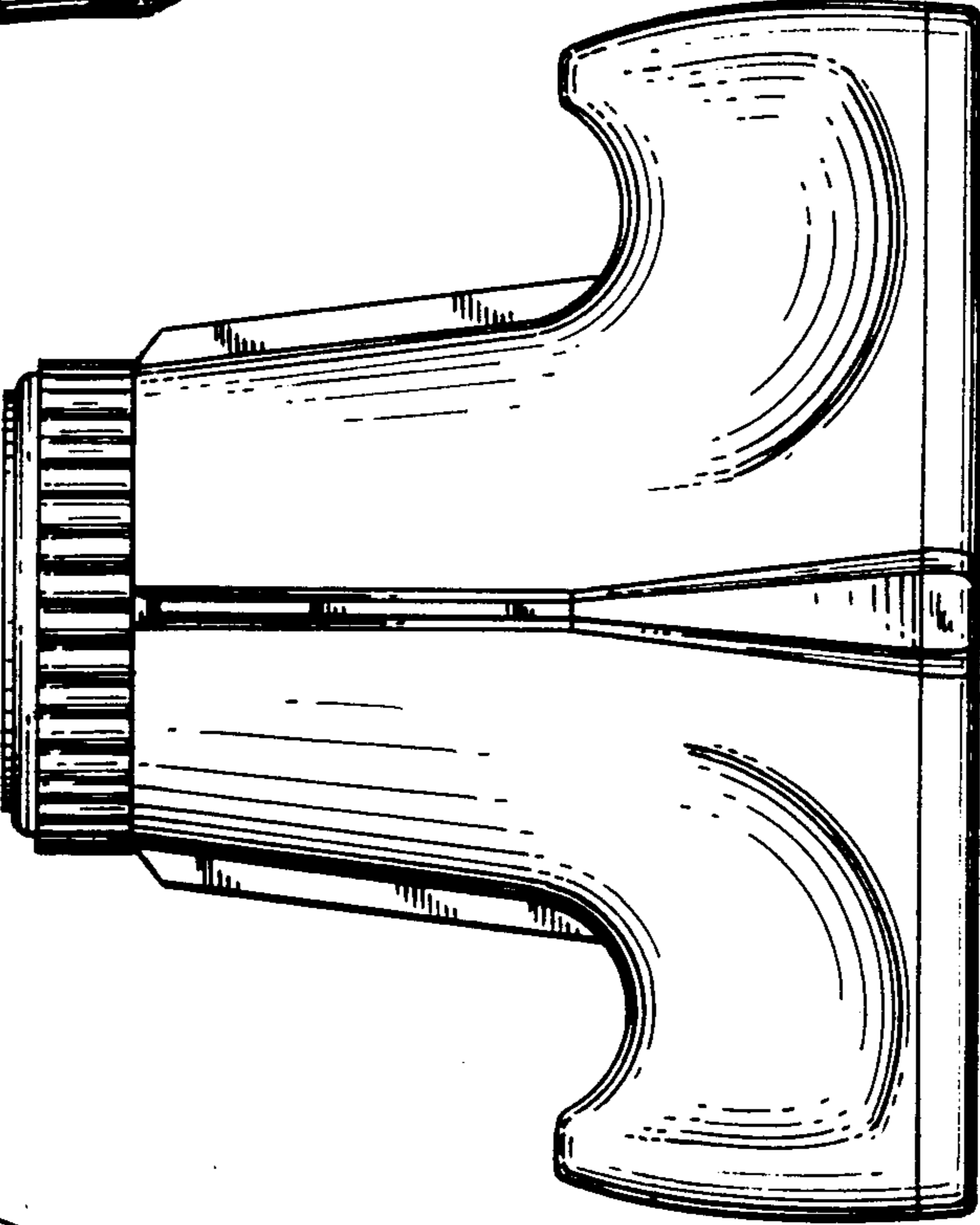


FIG. 3

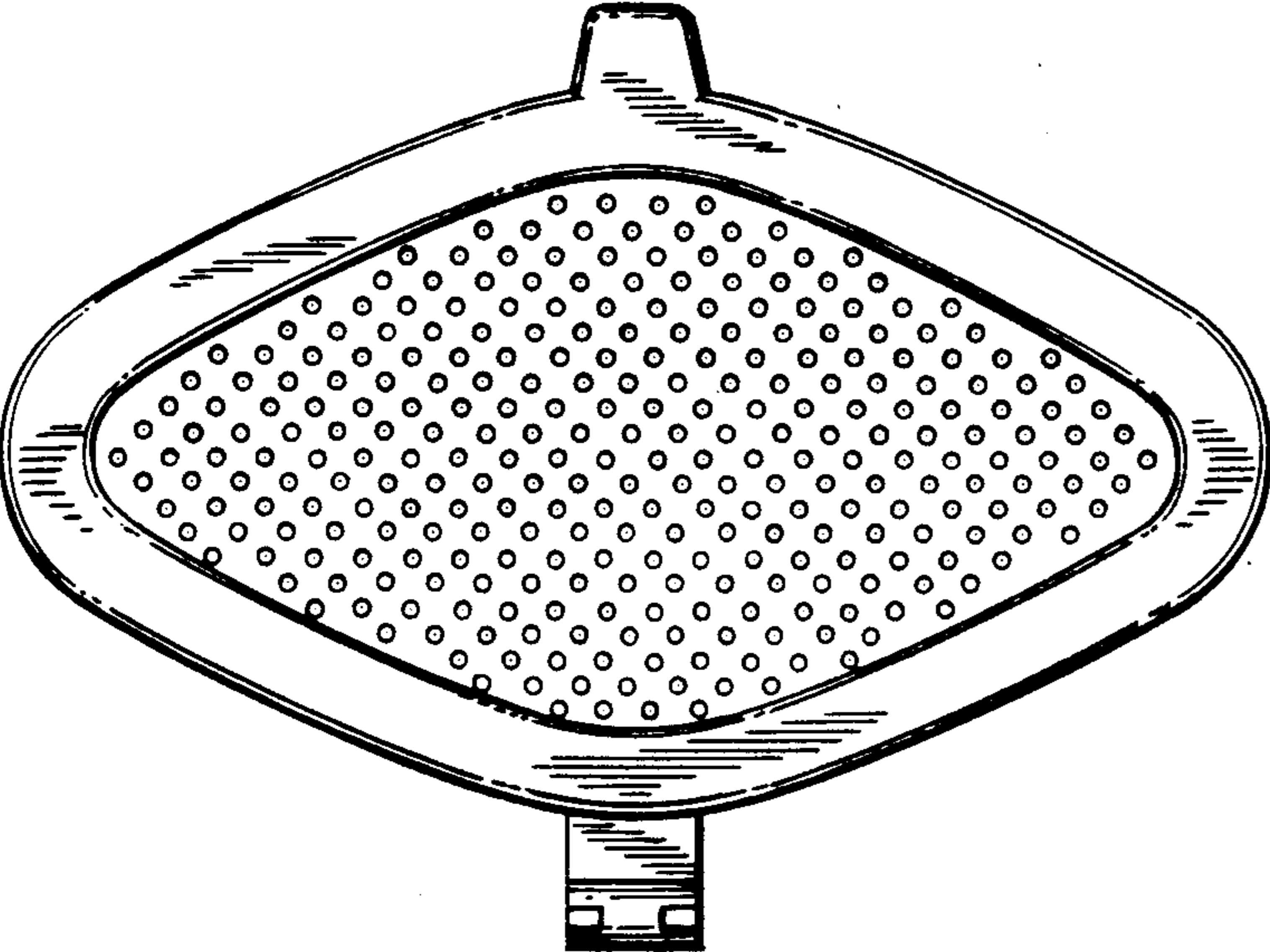


FIG. 4

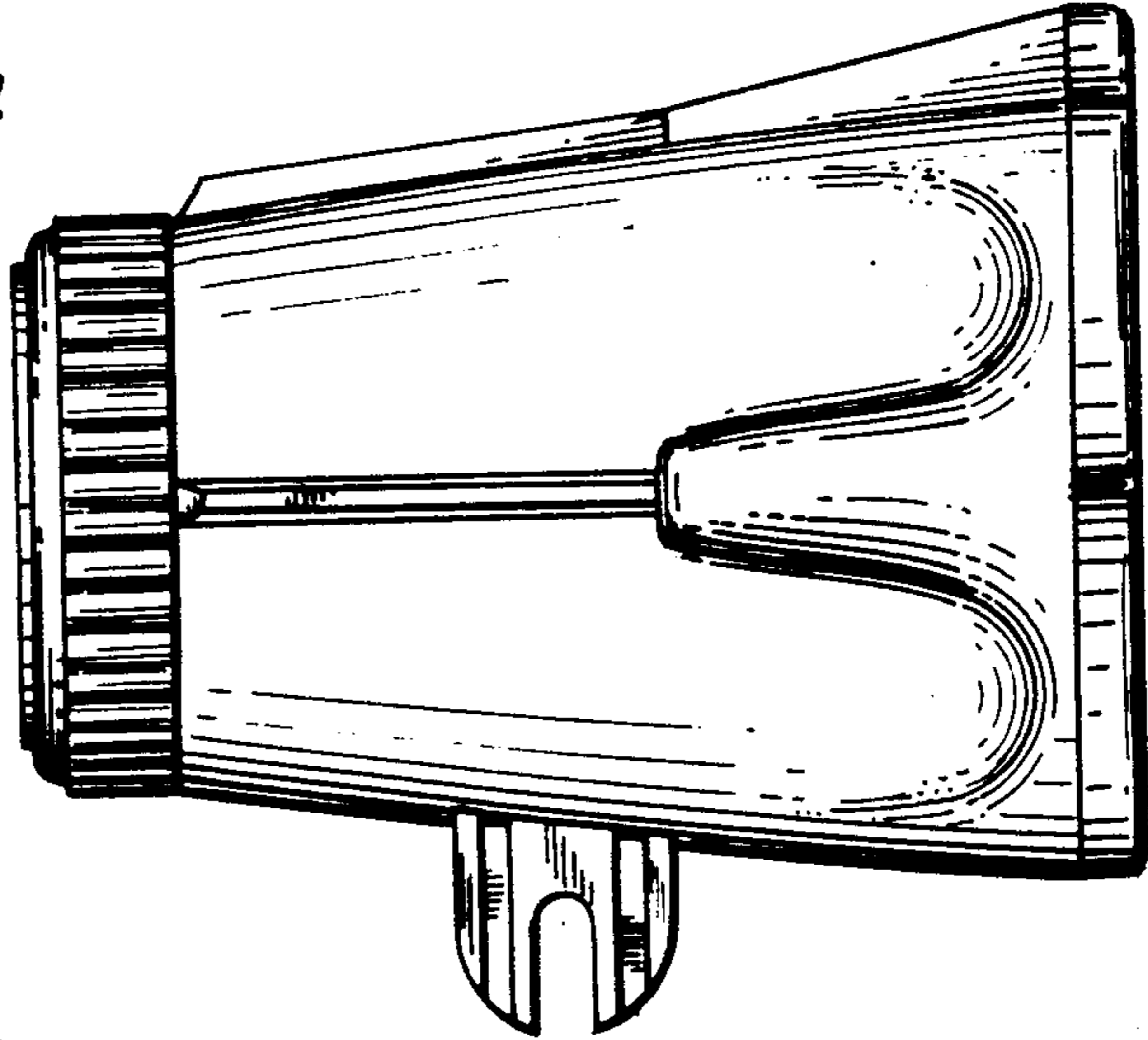


FIG. 5

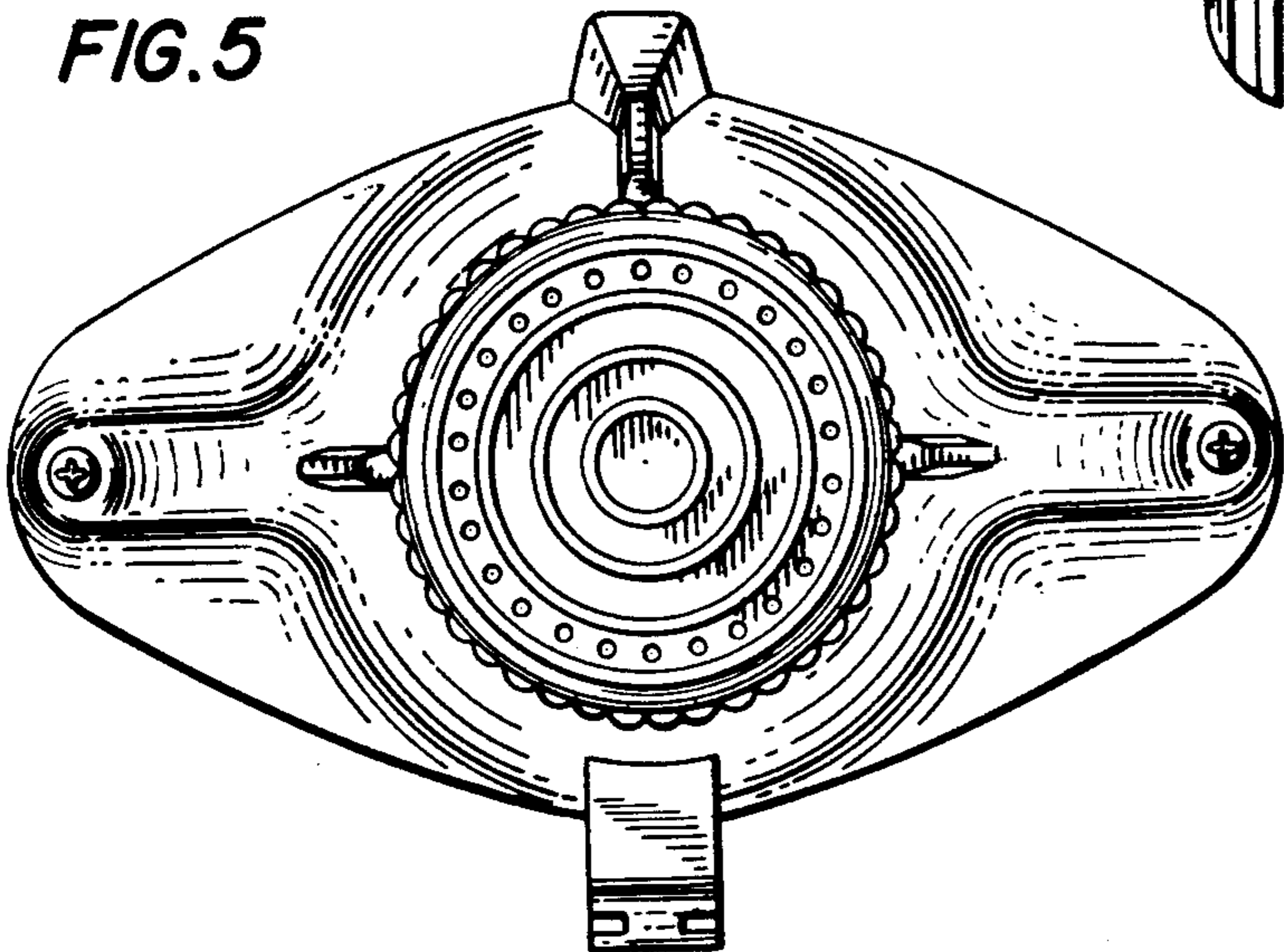


FIG. 6

