

[54] FRAMING COMPONENT

[76] Inventor: Helmut J. F. Hornung, 10326 NE. 185th, Bothell, Wash. 98011

[**] Term: 14 Years

[21] Appl. No.: 560

[22] Filed: Jan. 2, 1979

[51] Int. Cl. D8-08

[52] U.S. Cl. D8/354; D8/373; D8/380

[58] Field of Search 49/455; 403/232.1, 233, 403/235, 237; D8/354, 366, 373, 380, 363

[56] References Cited

U.S. PATENT DOCUMENTS

1,995,668	3/1935	Clark	403/235
2,477,163	7/1949	Barnett	403/232.1 X
2,611,160	9/1952	Hanesse	403/237
2,631,337	3/1953	Burke	49/455

FOREIGN PATENT DOCUMENTS

871309 6/1961 United Kingdom D8/354

Primary Examiner—A. Hugo Word
Attorney, Agent, or Firm—Carl G. Dowrey

[57] CLAIM

The ornamental design for a framing component, as shown and described.

DESCRIPTION

FIG. 1 is a perspective view of the framing component of this invention;

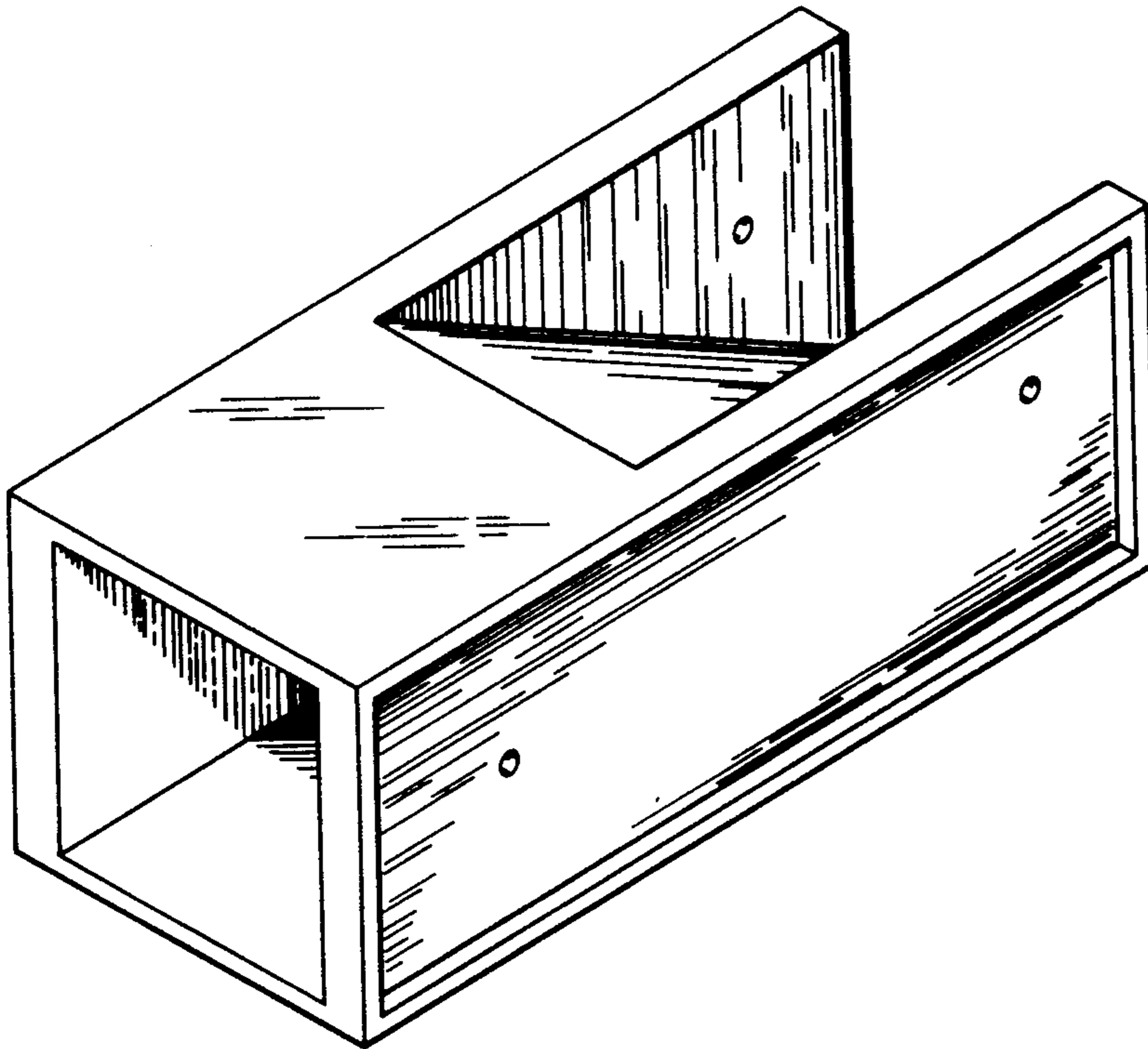
FIG. 2 is an end elevation taken from the left side of FIG. 3;

FIG. 3 is a top plan view of the framing component of FIG. 1;

FIG. 4 is an end elevation taken from the right side of FIG. 3;

FIG. 5 is a sectional view taken along line 5—5 of FIG. 3; and

FIG. 6 is a side elevational view of the framing component of FIG. 1.



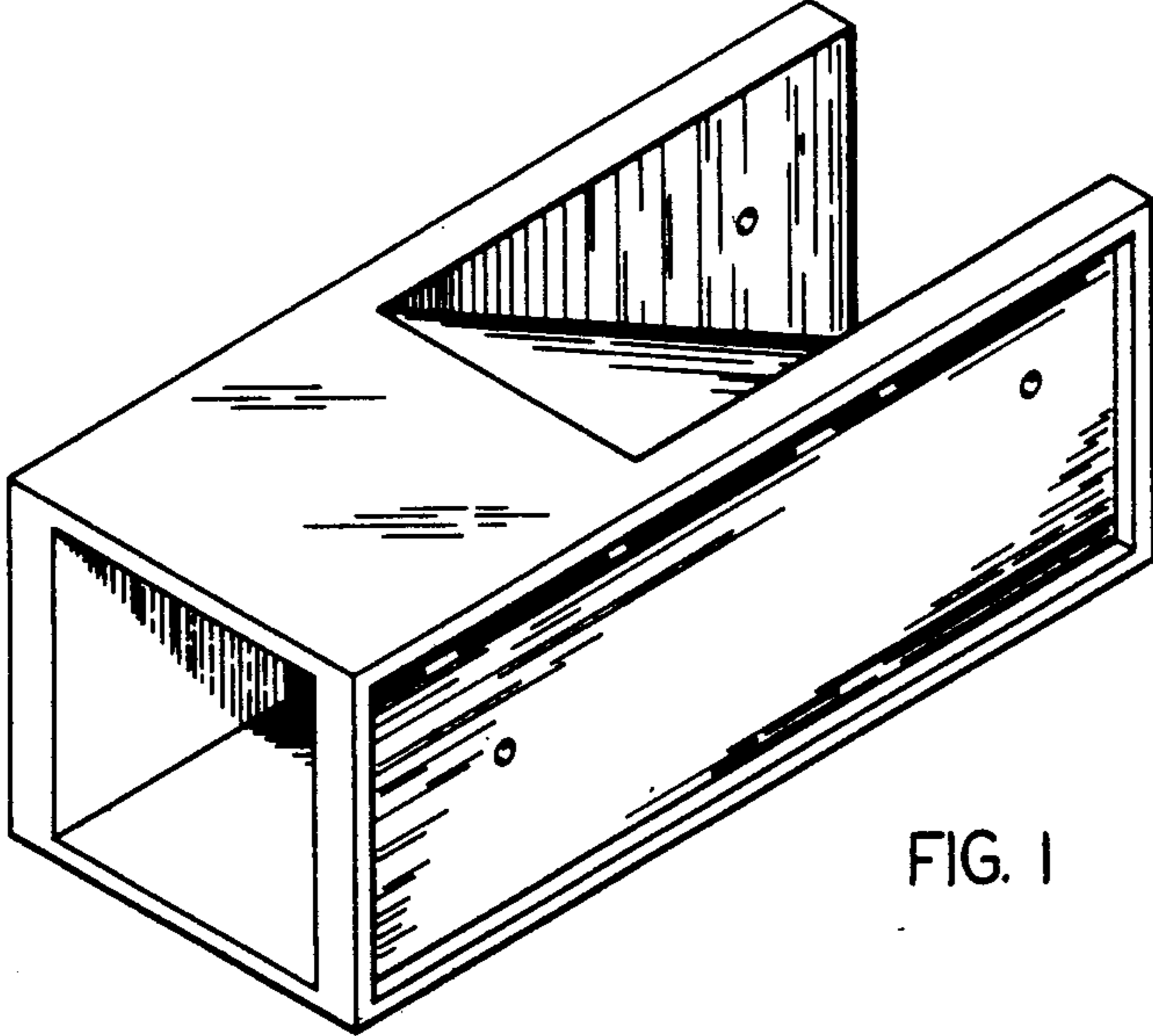


FIG. 1

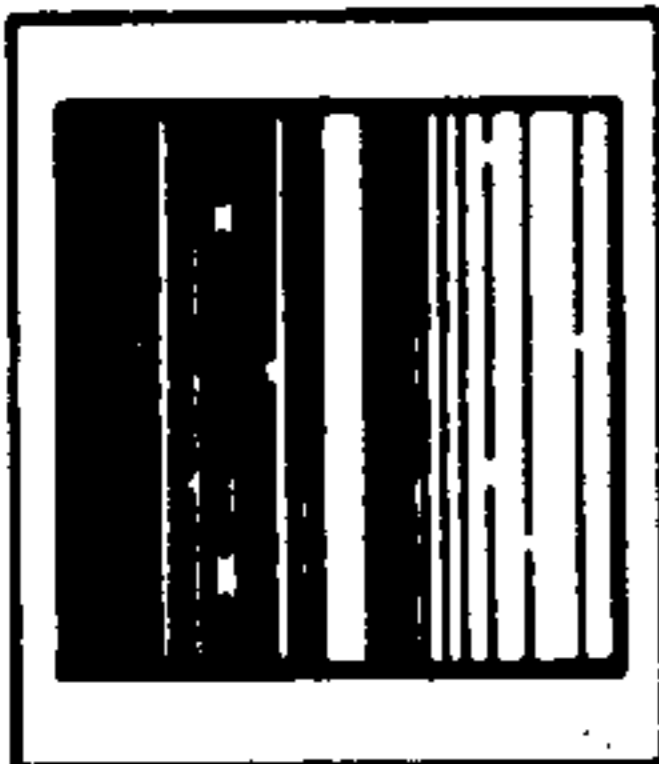


FIG. 2

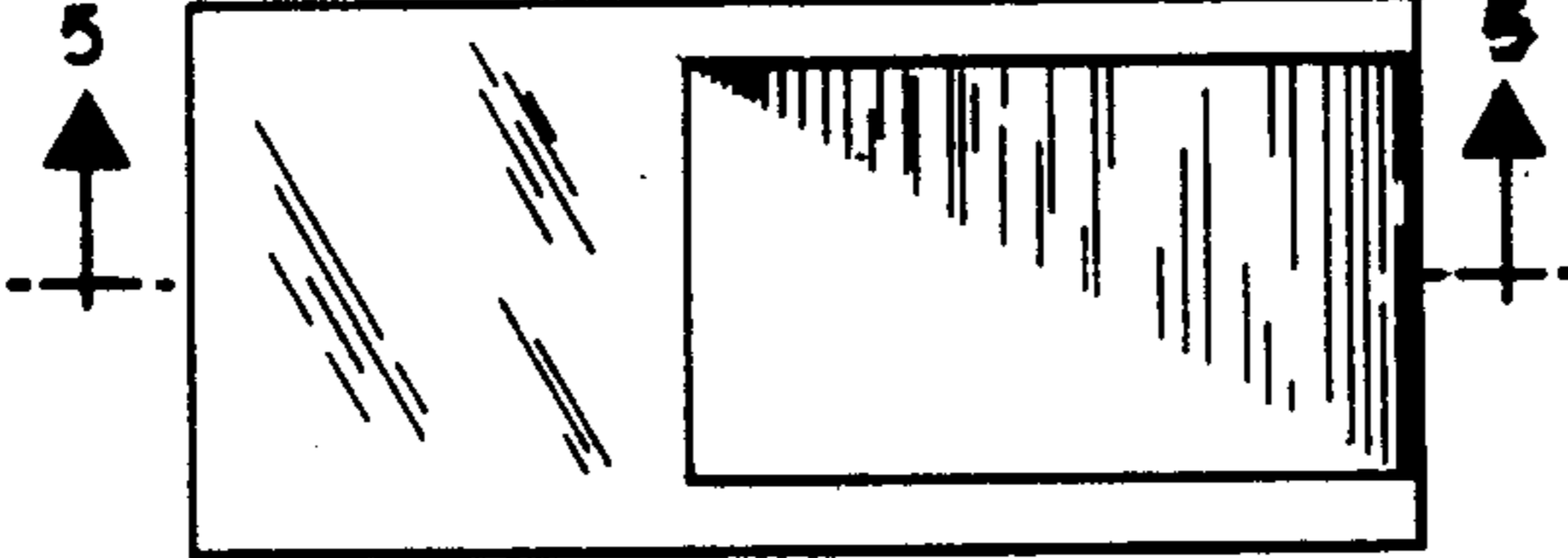


FIG. 3



FIG. 4

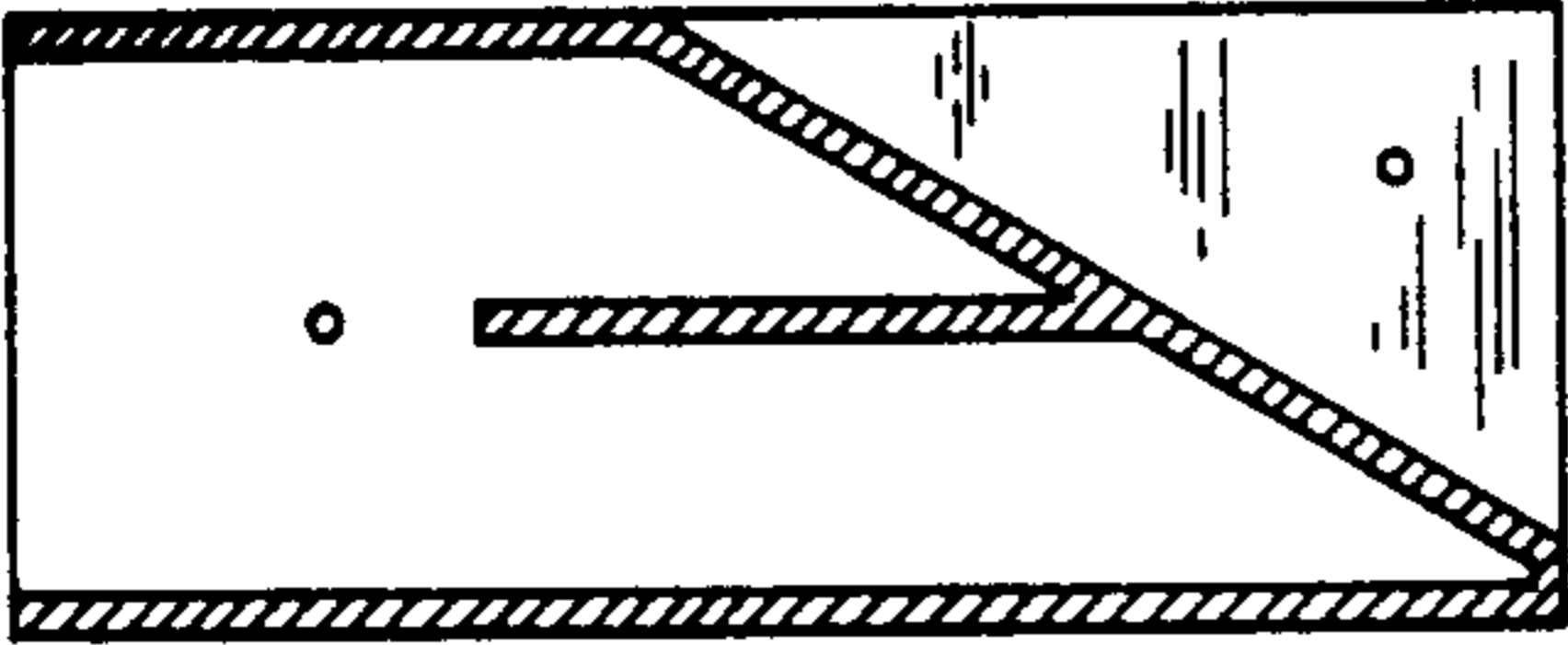


FIG. 5

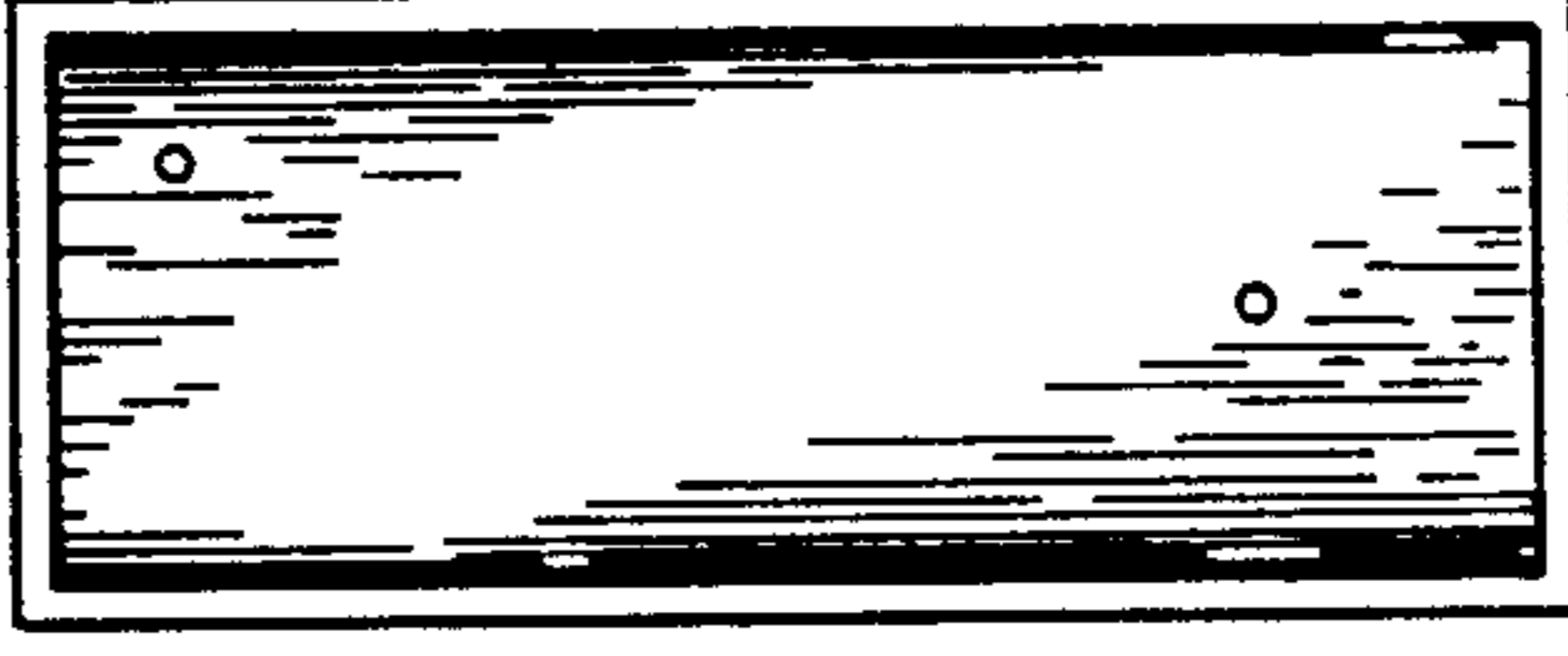


FIG. 6