

[54] TILTABLE OUTDOOR COOKING GRILL

[76] Inventor: Guy D. Sizemore, Pickaway, W. Va. 24964

[\*\*] Term: 14 Years

[21] Appl. No.: 95,142

[22] Filed: Nov. 16, 1979

[51] Int. Cl. .... D7-02

[52] U.S. Cl. .... D7/109

[58] Field of Search ..... D7/107, 108, 109, 110; 126/25 R, 25 A, 25 AA, 25 B, 25 C, 29, 30, 9 R, 9 A, 9 B

[56] References Cited

U.S. PATENT DOCUMENTS

D. 205,202	7/1966	Clausen	.....	D7/109
D. 215,630	10/1969	Koziol	.....	D7/109
D. 254,118	2/1980	Shaneour	.....	D7/109
3,053,245	9/1962	Beller	.....	D7/109 X

Primary Examiner—Catherine E. Kemper  
Attorney, Agent, or Firm—Mason, Fenwick & Lawrence

[57] CLAIM

The ornamental design for a tiltable outdoor cooking grill, substantially as shown and described.

DESCRIPTION

FIG. 1 is a front perspective view of a tiltable outdoor cooking grill showing my new design, with the lower part of the vertical tubular supporting post broken away, and illustrating the bilevel cooking grid surface thereof;

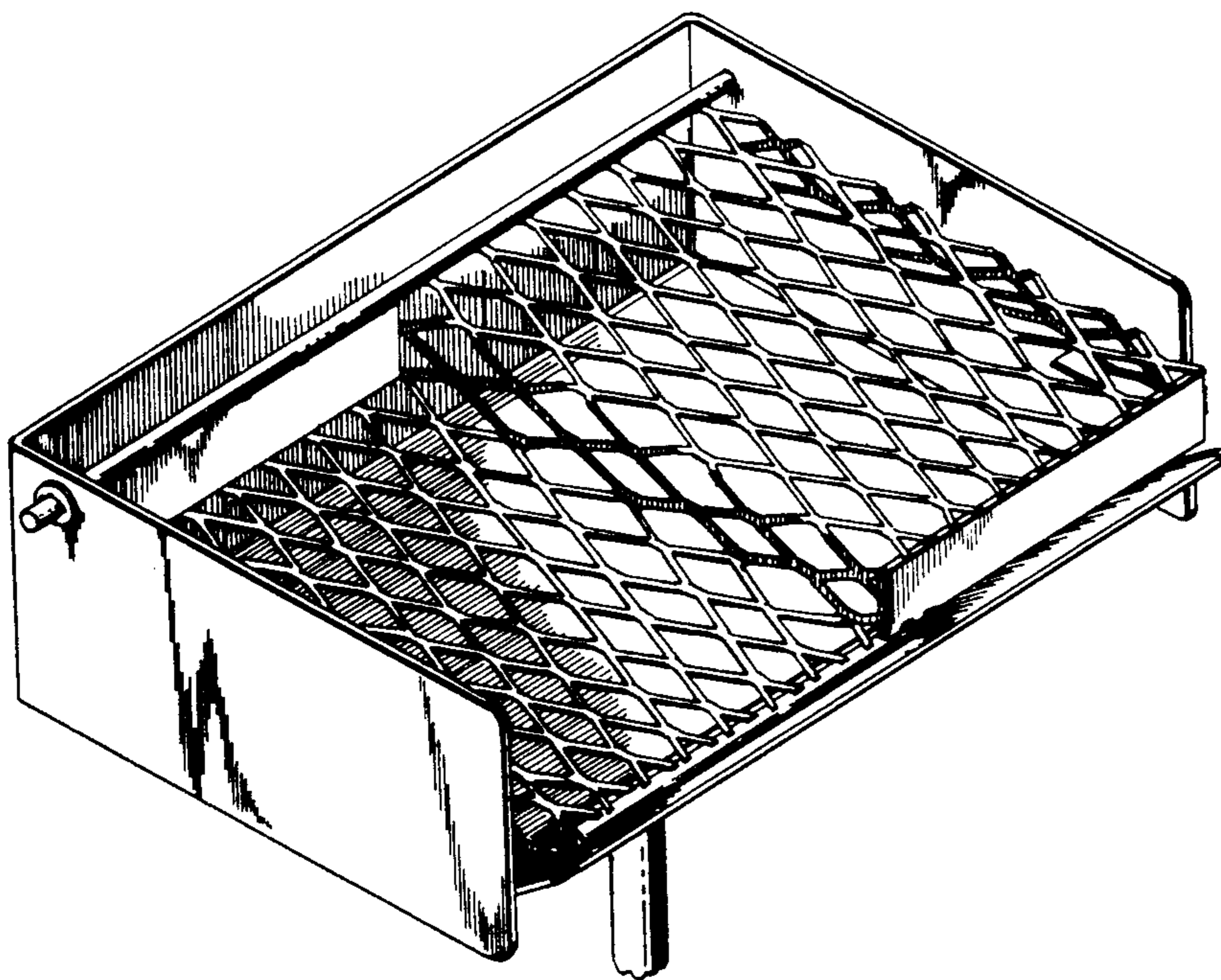
FIG. 2 is a side elevation view thereof viewed from the right of FIG. 3, the opposite side elevation being the mirror image thereof;

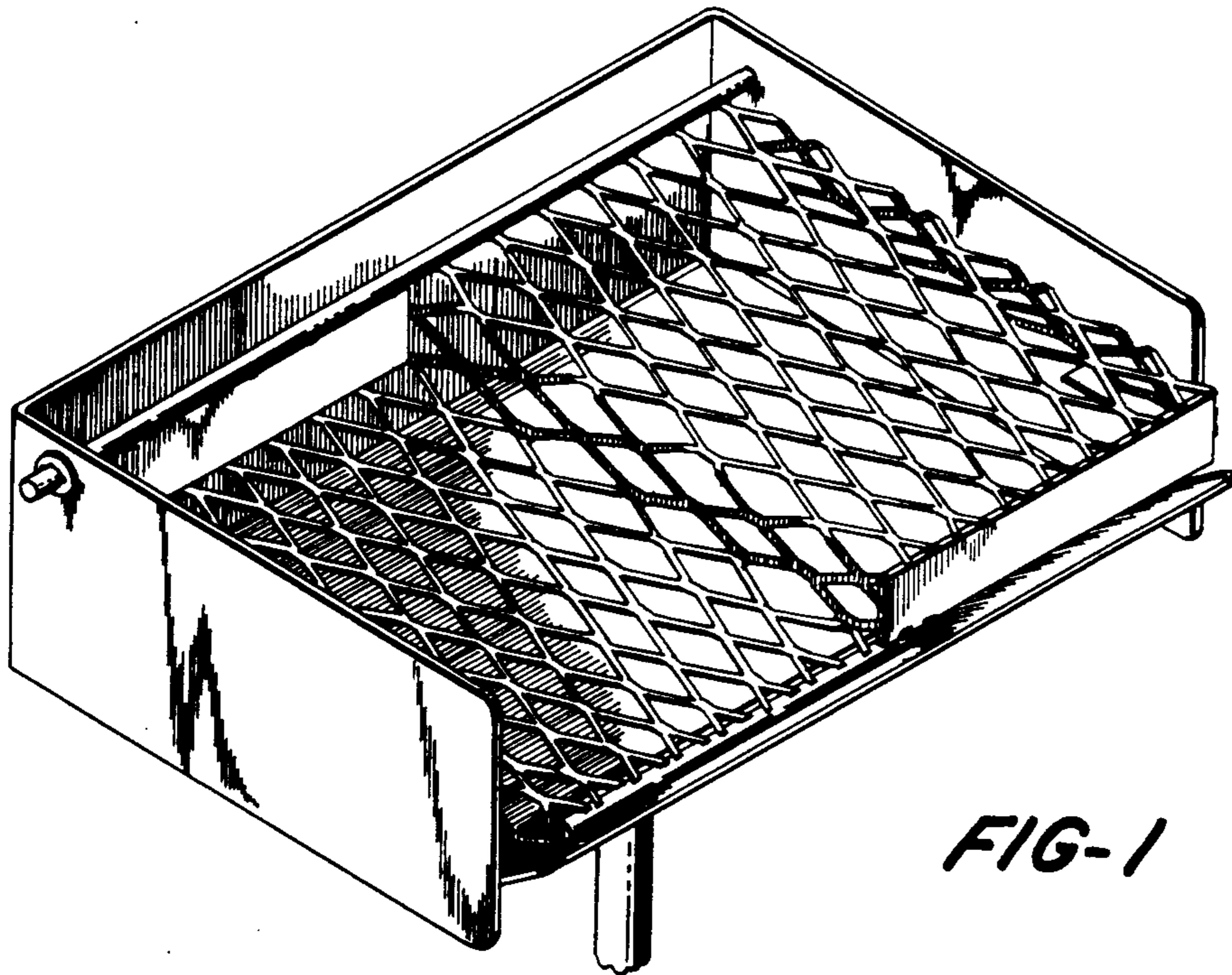
FIG. 3 is a top plan view thereof;

FIG. 4 is a front view thereof viewed from the left of FIG. 2;

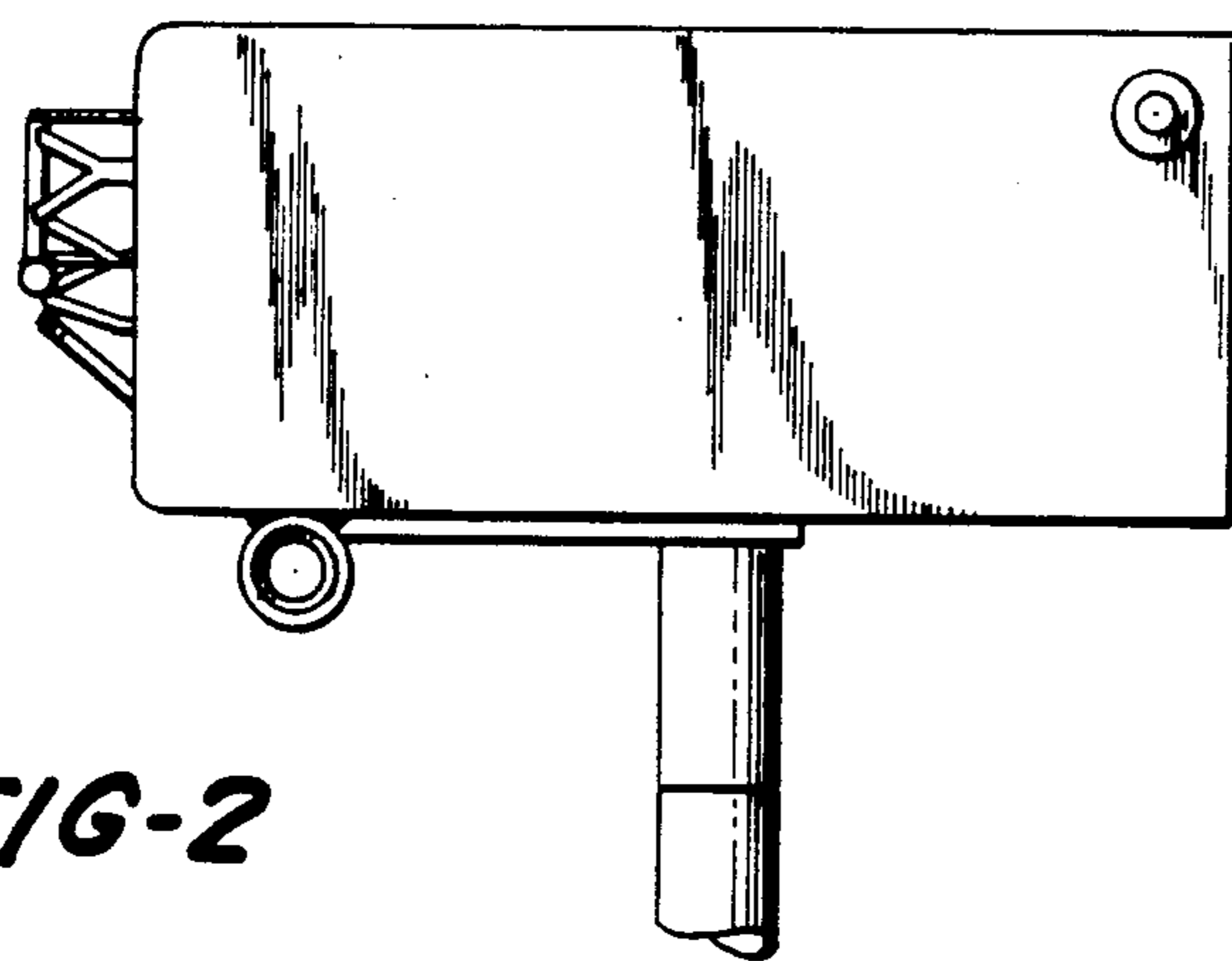
FIG. 5 is a bottom view thereof.

The rear wall of the tiltable outdoor cooking grill is planar and unornamented.



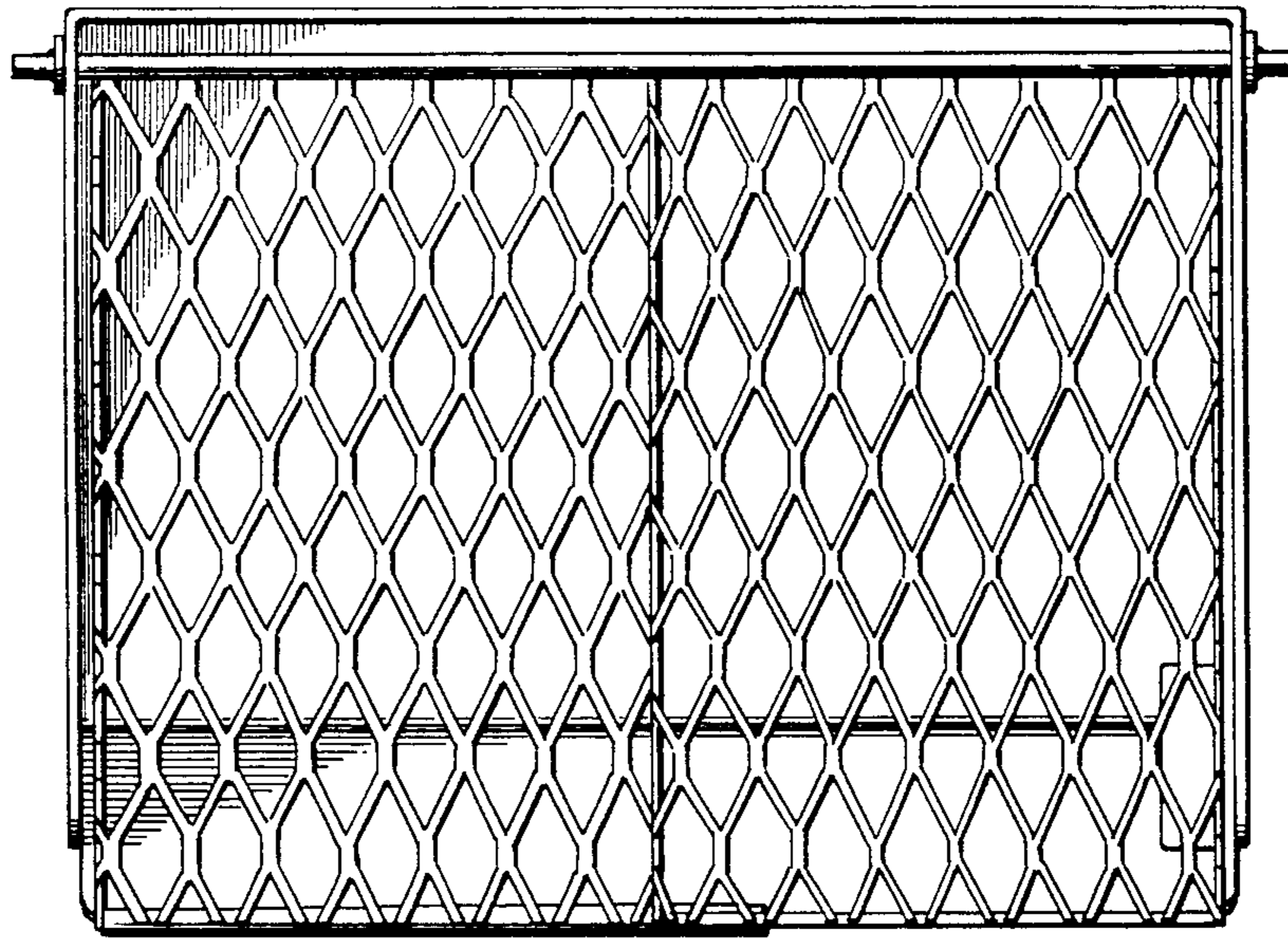


*FIG-1*

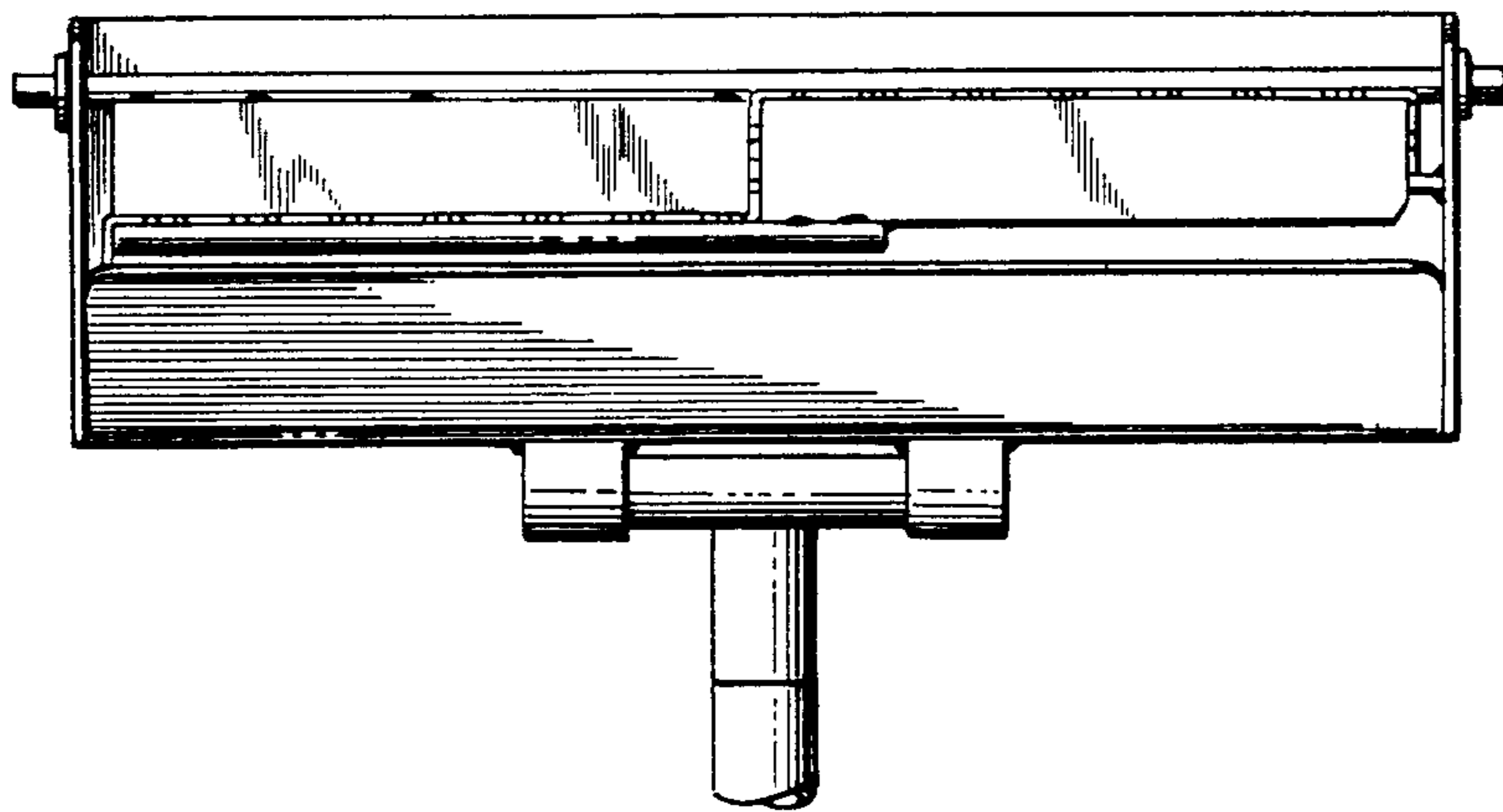


*FIG-2*

*FIG-3*



*FIG-4*



*FIG-5*

