

[54] **COMBINED COPY PAPER HOLDER AND TABLE**

[76] Inventor: **Edward R. Malone**, 1747 S. 79 East Ave., Tulsa, Okla. 74112

[**] Term: **14 Years**

[21] Appl. No.: **970,204**

[22] Filed: **Dec. 18, 1978**

[51] Int. Cl. **D6-03**

[52] U.S. Cl. **D6/179; D14/40**

[58] Field of Search **D6/27, 146-149, D6/175, 161, 162, 177-179; D14/40, 41, 42, 45, 46, 48, 49, 50**

[56] **References Cited**

U.S. PATENT DOCUMENTS

D. 144,590 4/1946 Schutes D6/174

D. 233,345	10/1974	Kneale et al.	D14/47
D. 238,302	12/1975	Alger et al.	D14/51 X
D. 242,197	11/1976	Herr et al.	D6/167 X
D. 250,743	1/1979	Berkman et al.	D6/177
D. 252,197	6/1979	Gale	D6/174 X

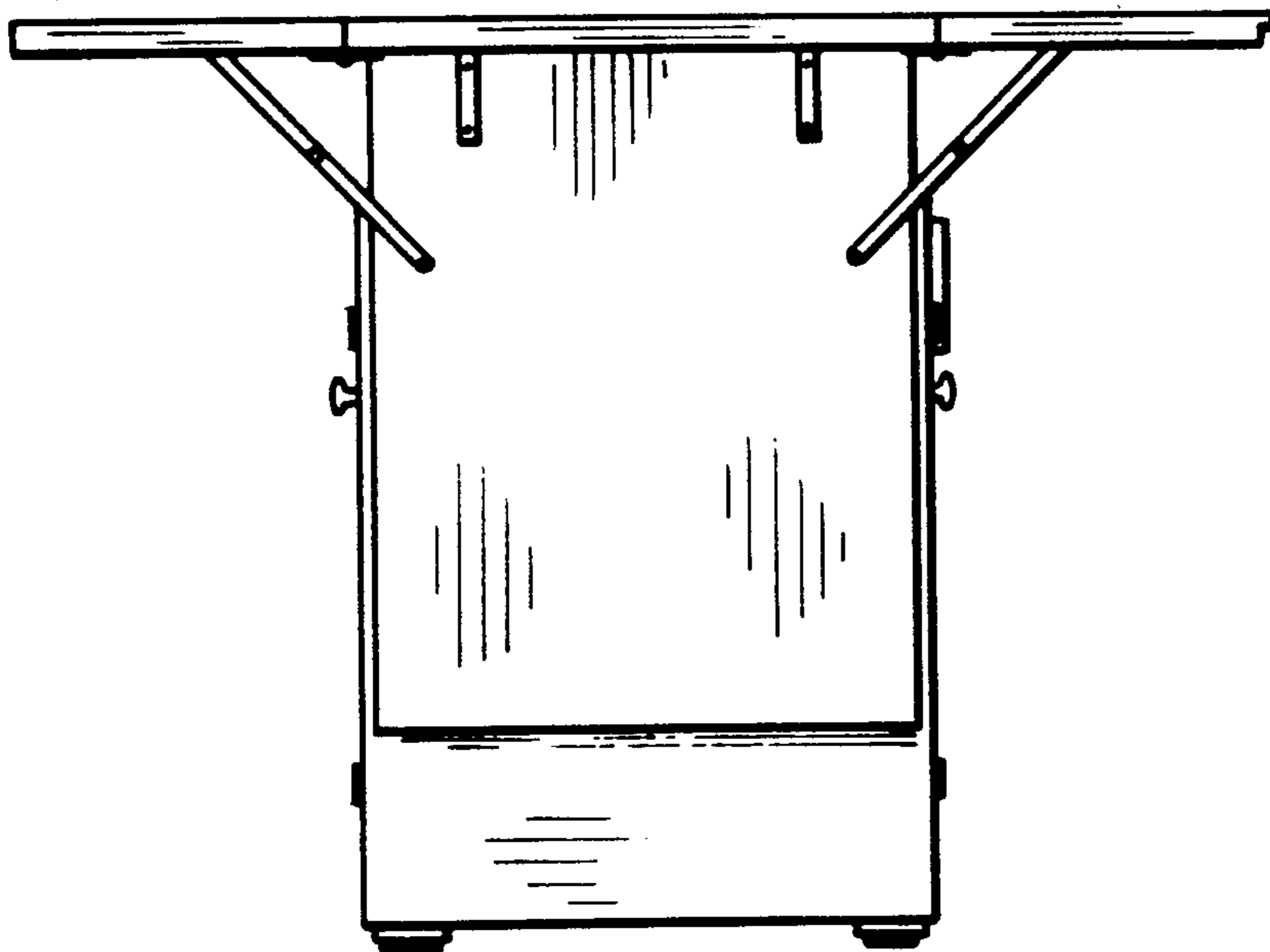
Primary Examiner—Bruce W. Dunkins
Attorney, Agent, or Firm—James R. Head

[57] **CLAIM**

The ornamental design for a combined copy paper holder and table, substantially as shown and described.

DESCRIPTION

FIG. 1 is a side elevational view of one side of the combined copy paper holder and table showing my design. FIG. 2 is an elevational view of the other side. FIG. 3 is a bottom plan view. FIG. 4 is a top plan view. FIG. 5 is a rear elevational view. FIG. 6 is a front elevation view.



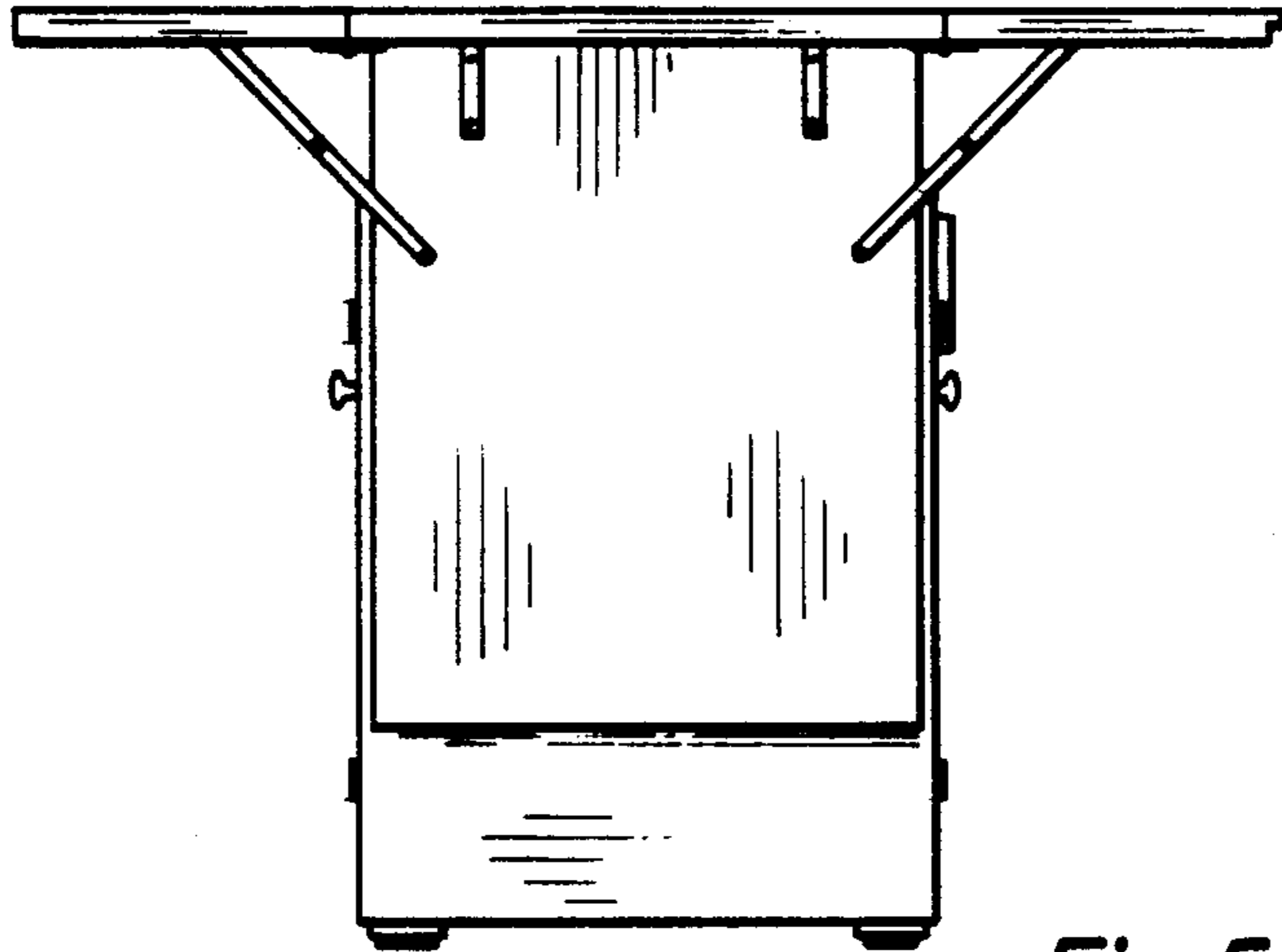


Fig. 5

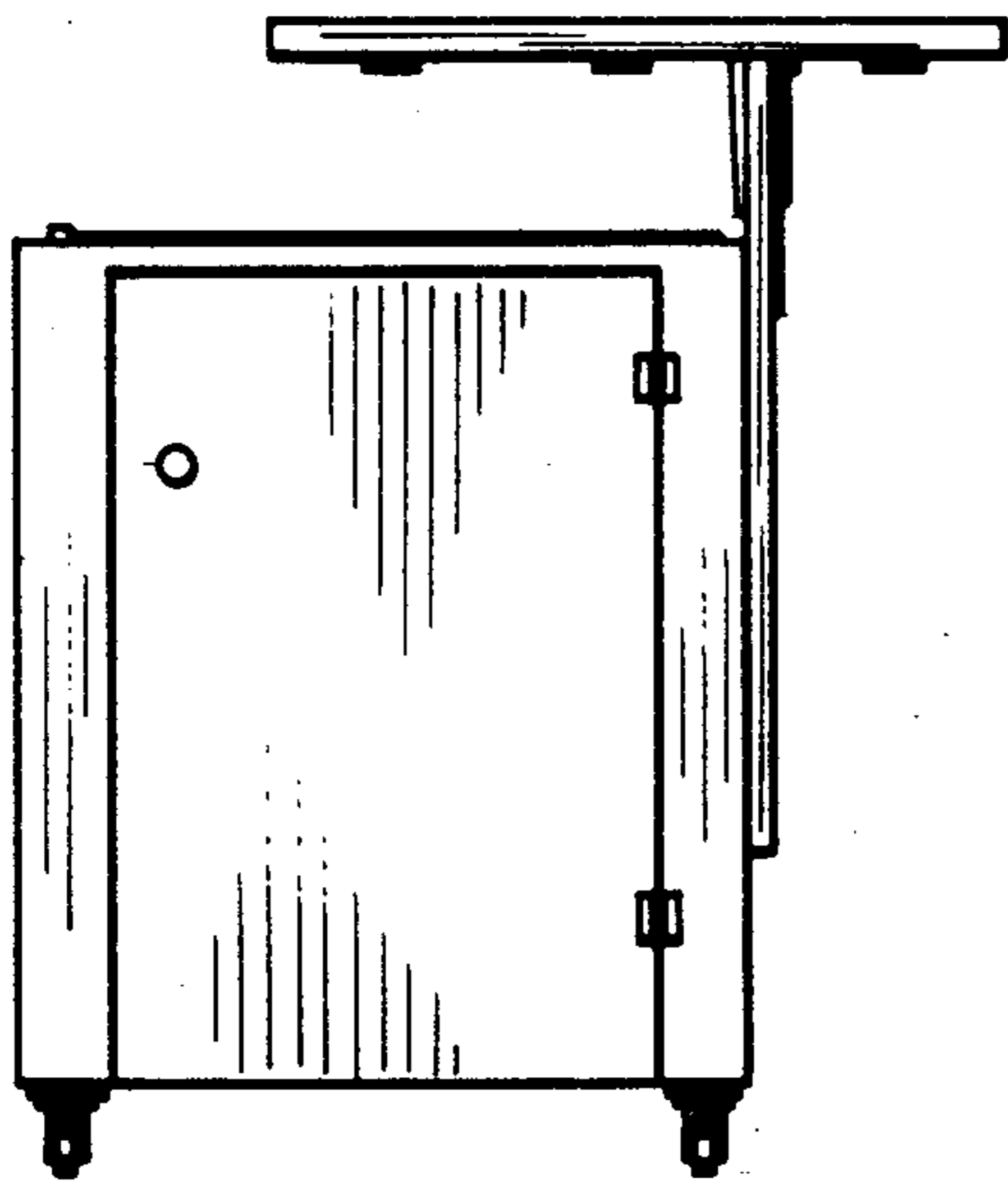


Fig. 1

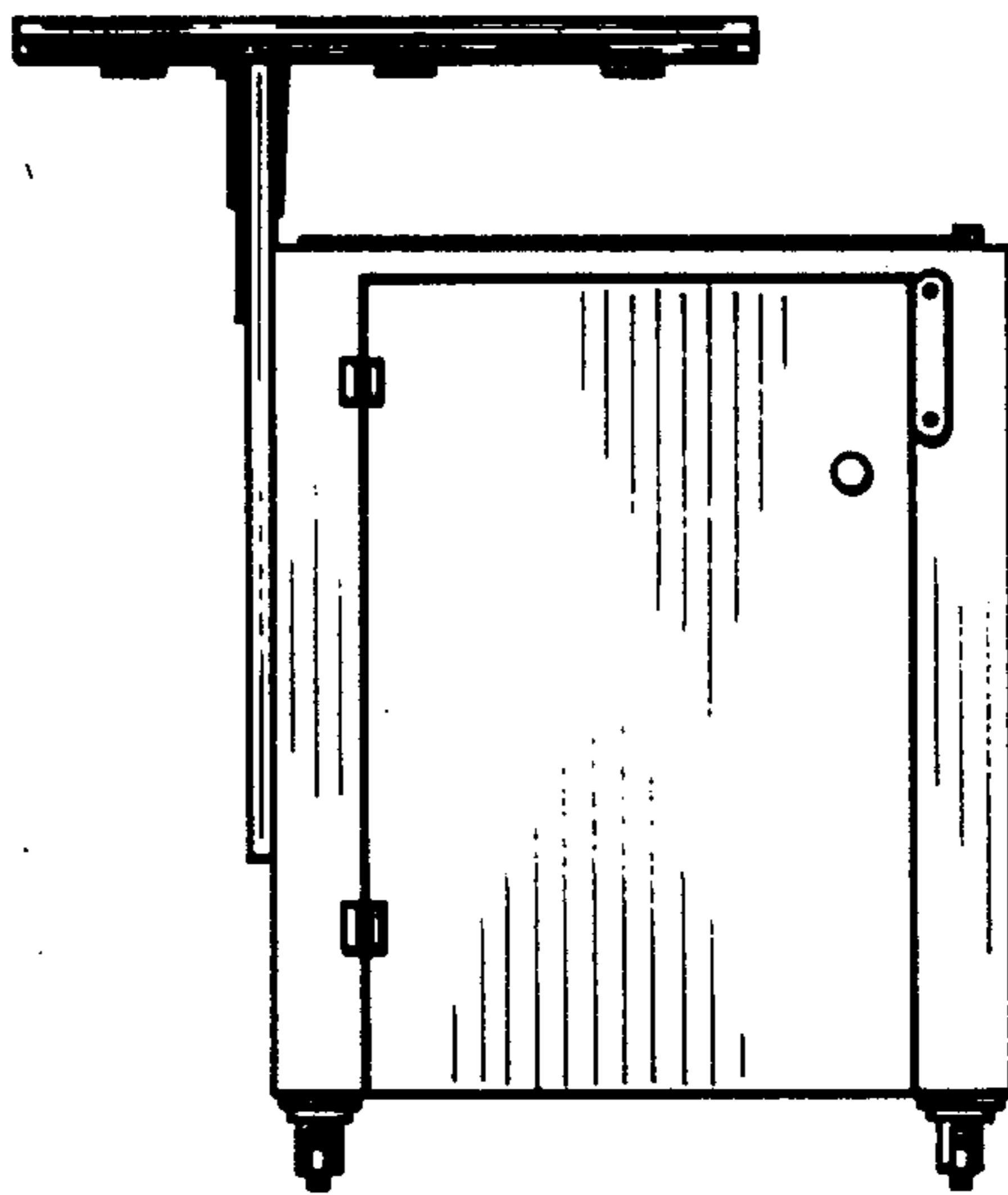


Fig. 2

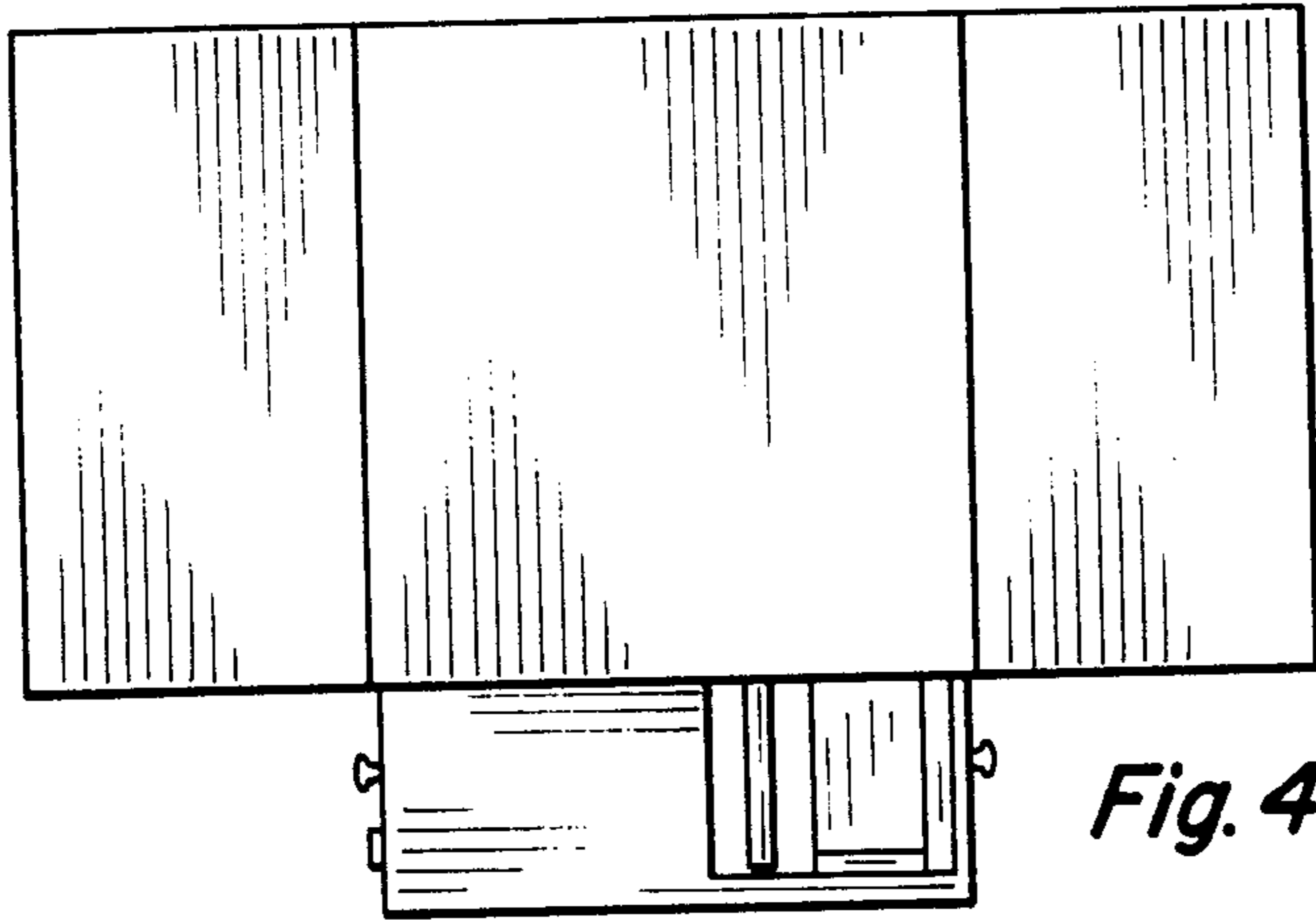


Fig. 4

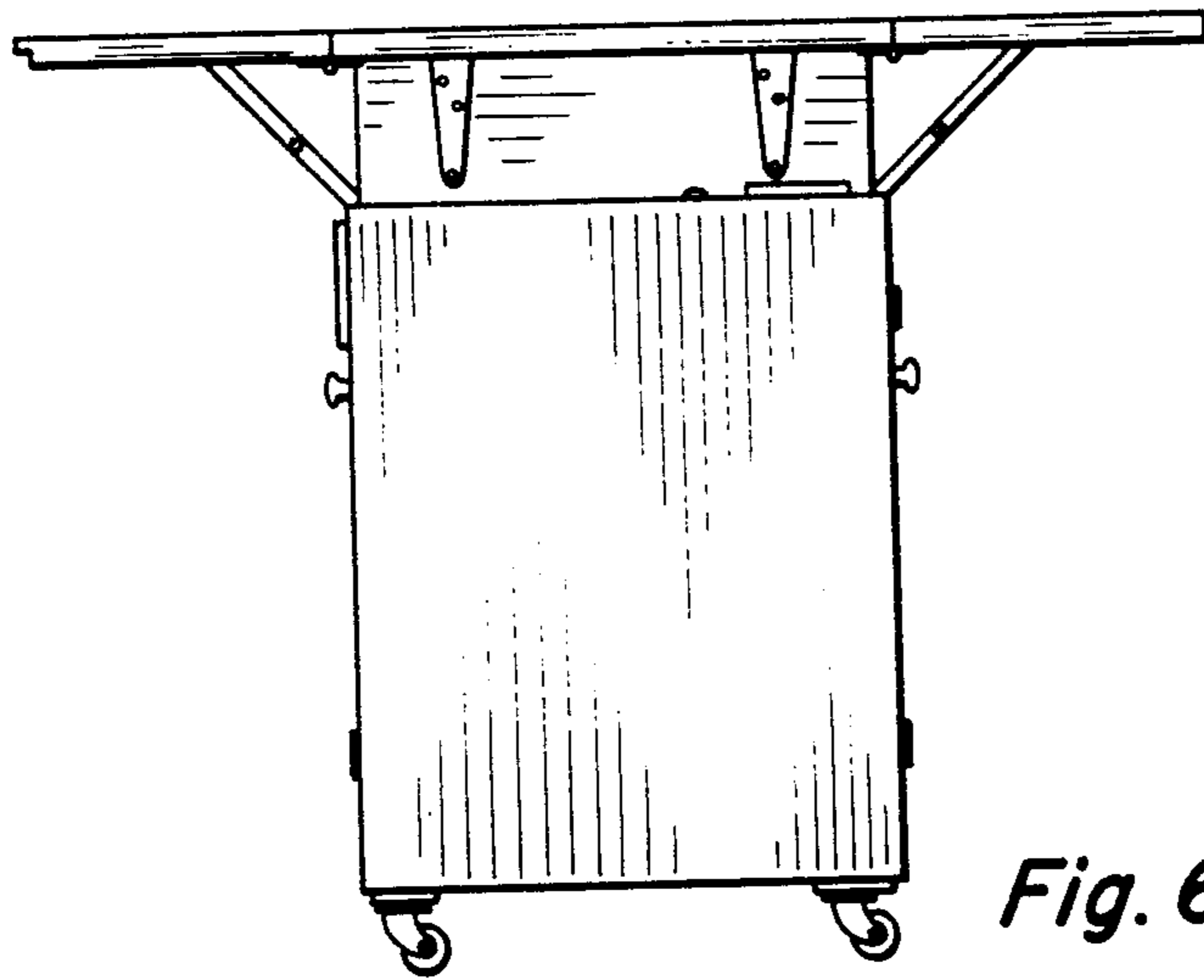


Fig. 6

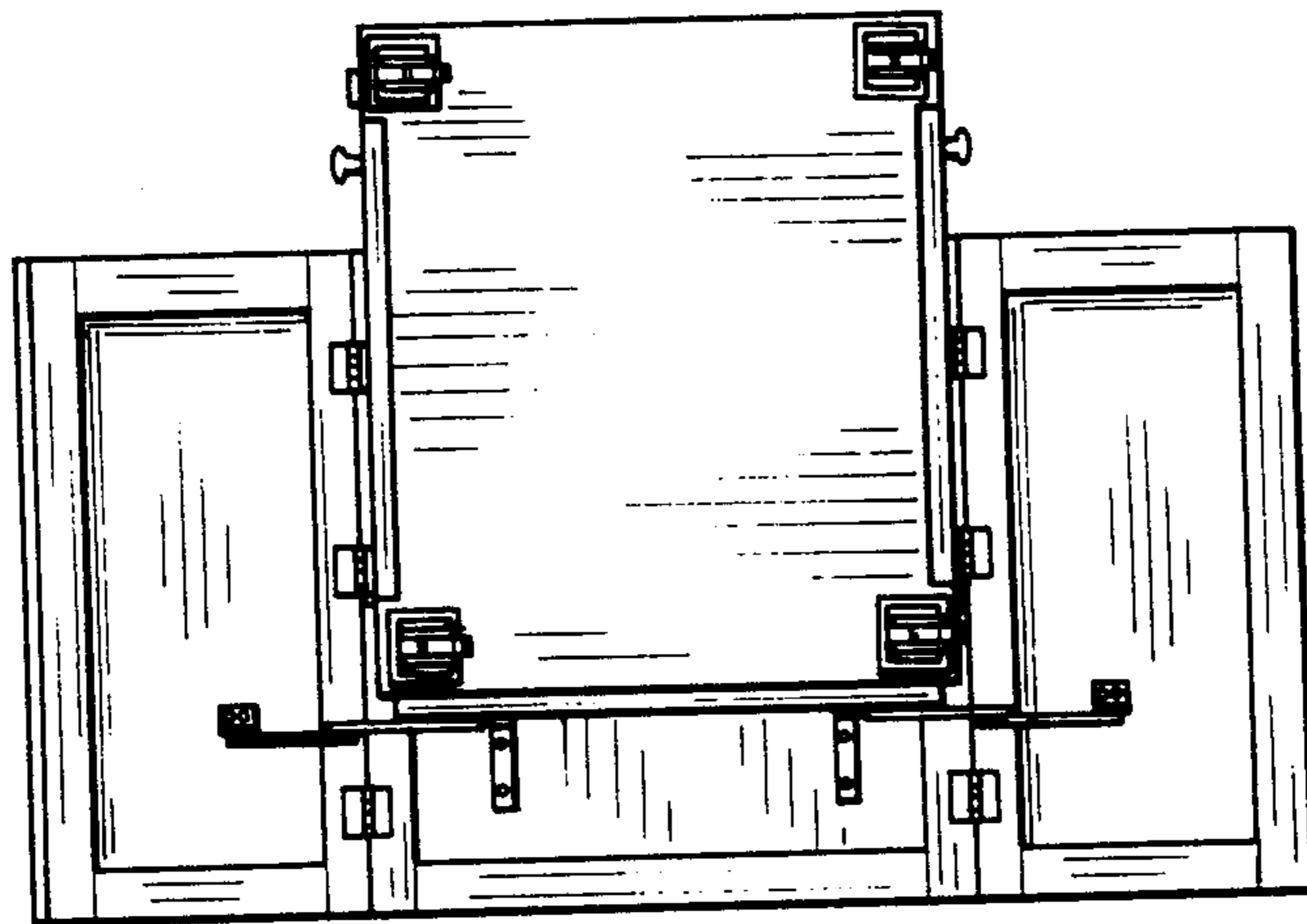


Fig. 3