

[54] SHOWER DISPENSER FOR FLUIDS

[56]

References Cited

U.S. PATENT DOCUMENTS

[76] Inventors: Charles R. Chase, 3113 S. 104 St., Omaha, Nebr. 68124; Gerald F. Lantry, 2002 Ave. G., Council Bluffs, Iowa 51501

3,581,996	6/1971	Boyer	222/145
3,612,355	10/1971	Stucky	222/144.5
3,917,172	11/1975	O'Hare	239/305
4,019,658	4/1977	Consaul	222/144.5

Primary Examiner—B. J. Bullock
Attorney, Agent, or Firm—Hiram A. Sturges

[**] Term: 14 Years

[21] Appl. No.: 868,415

[22] Filed: Jan. 10, 1978

[51] Int. Cl. D23—02

[52] U.S. Cl. D6/95

[58] Field of Search D6/95; D23/3; 222/129, 222/132, 135, 145, 144.5, 180, 181, 185; 239/305, 310, 314, 315, 316

[57] CLAIM

The ornamental design for a shower dispenser for fluids, as shown and described.

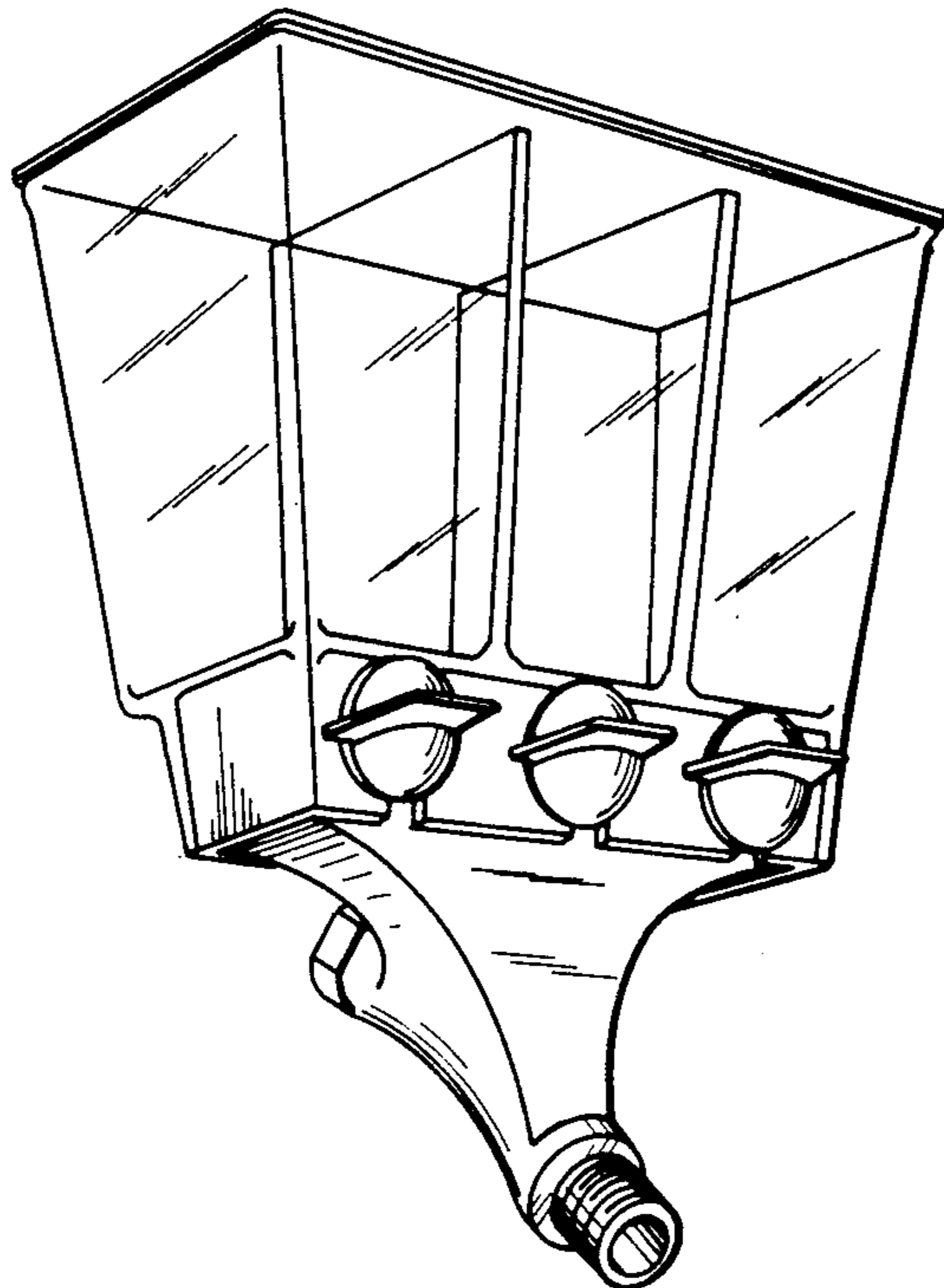
DESCRIPTION

FIG. 1 is a perspective view of a shower dispenser for fluids having our new design.

FIG. 2 is a side elevation view taken from the right to FIG. 1.

FIG. 3 is a top plan view thereof.

FIG. 4 is a bottom plan view thereof.



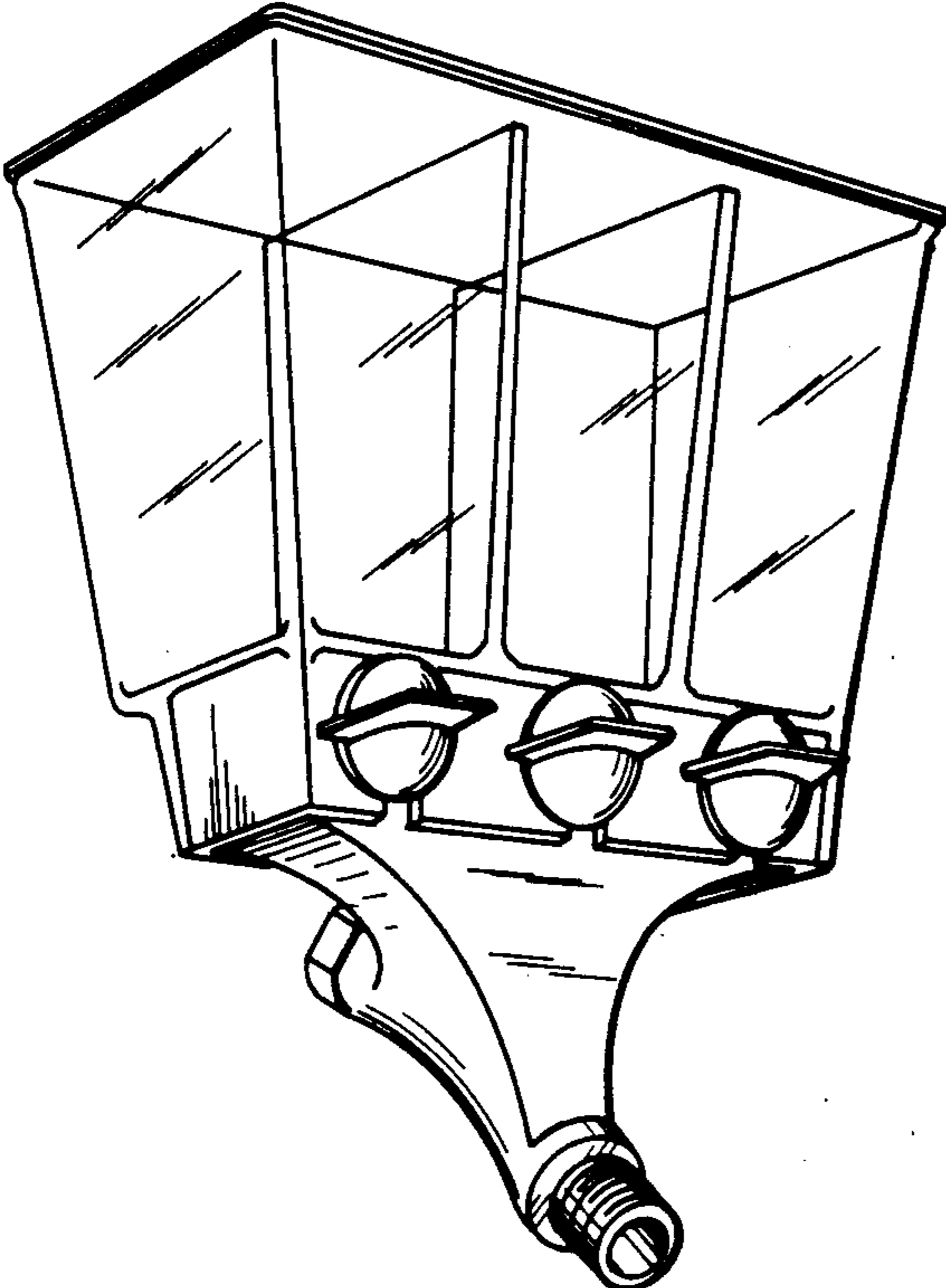


FIG. 1

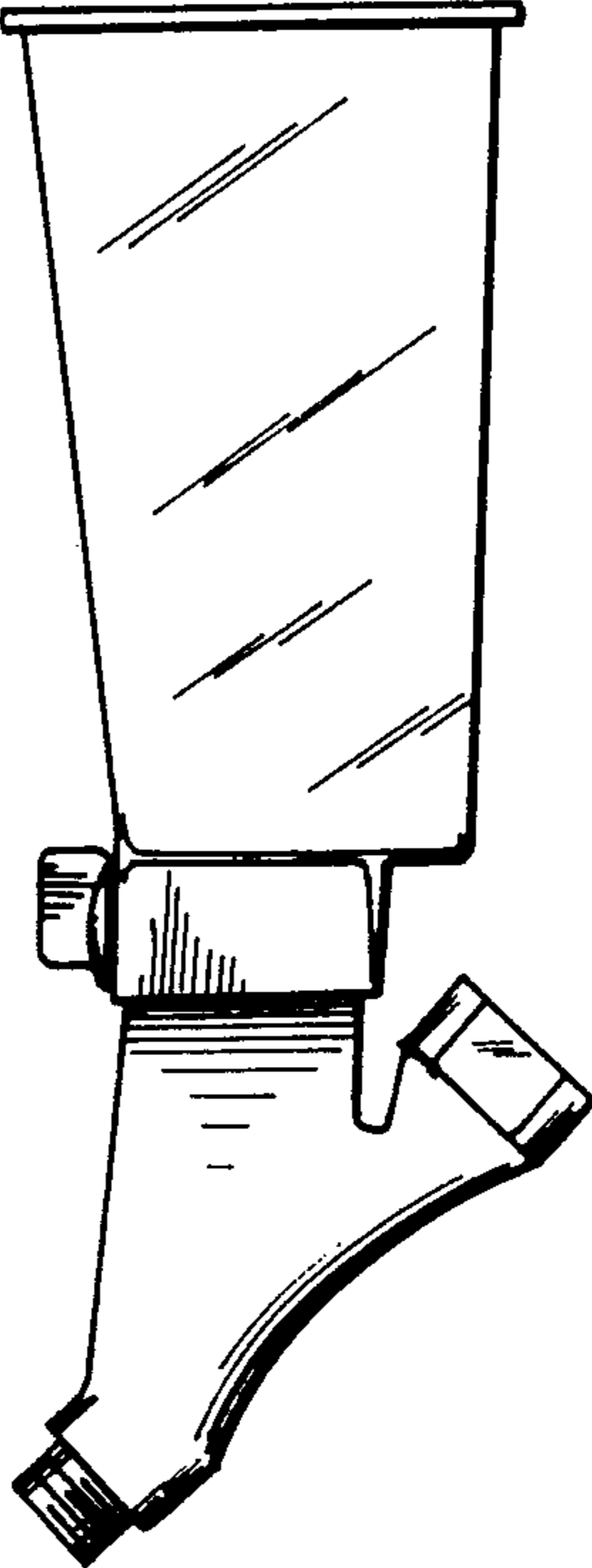


FIG. 2

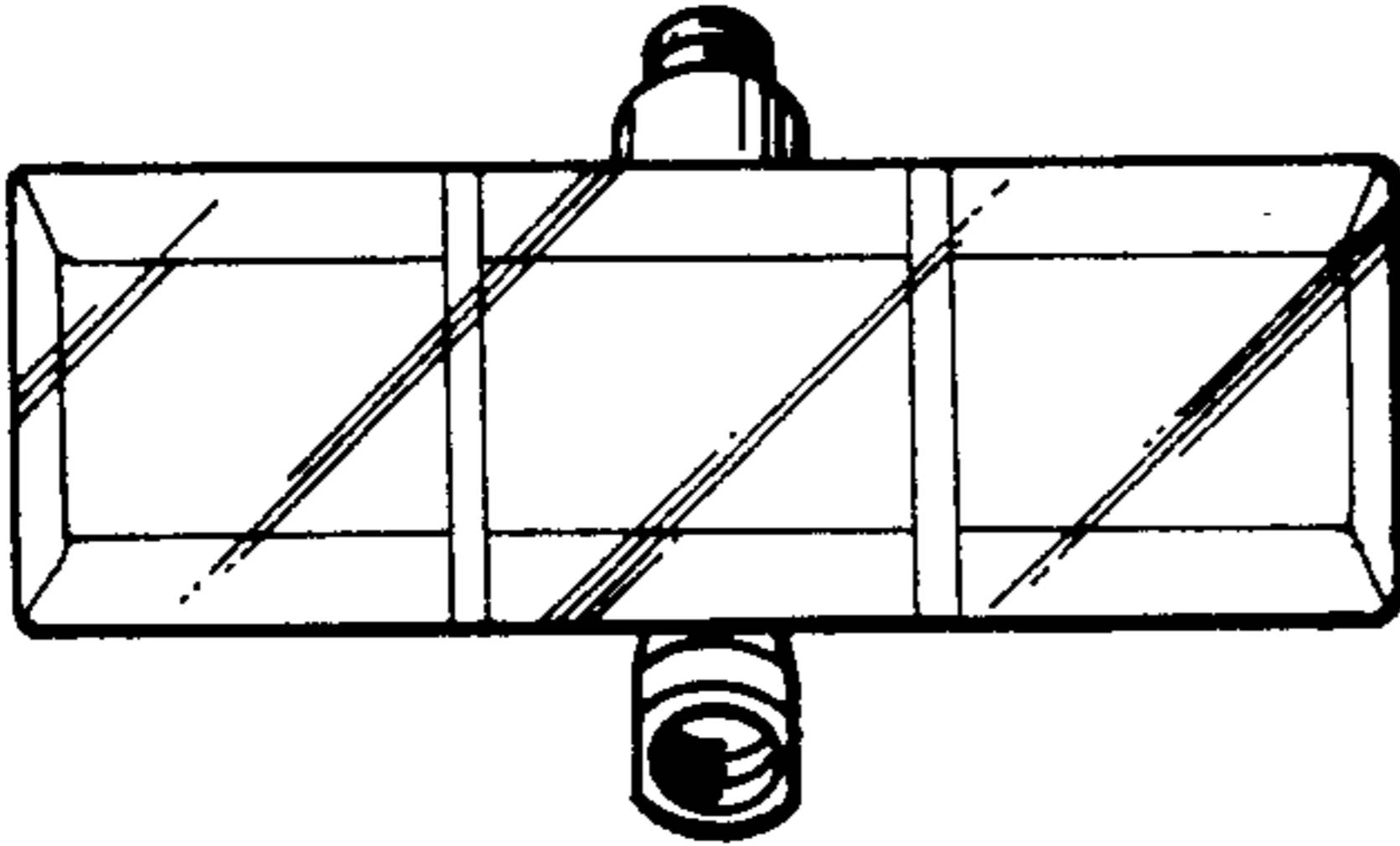


FIG. 3

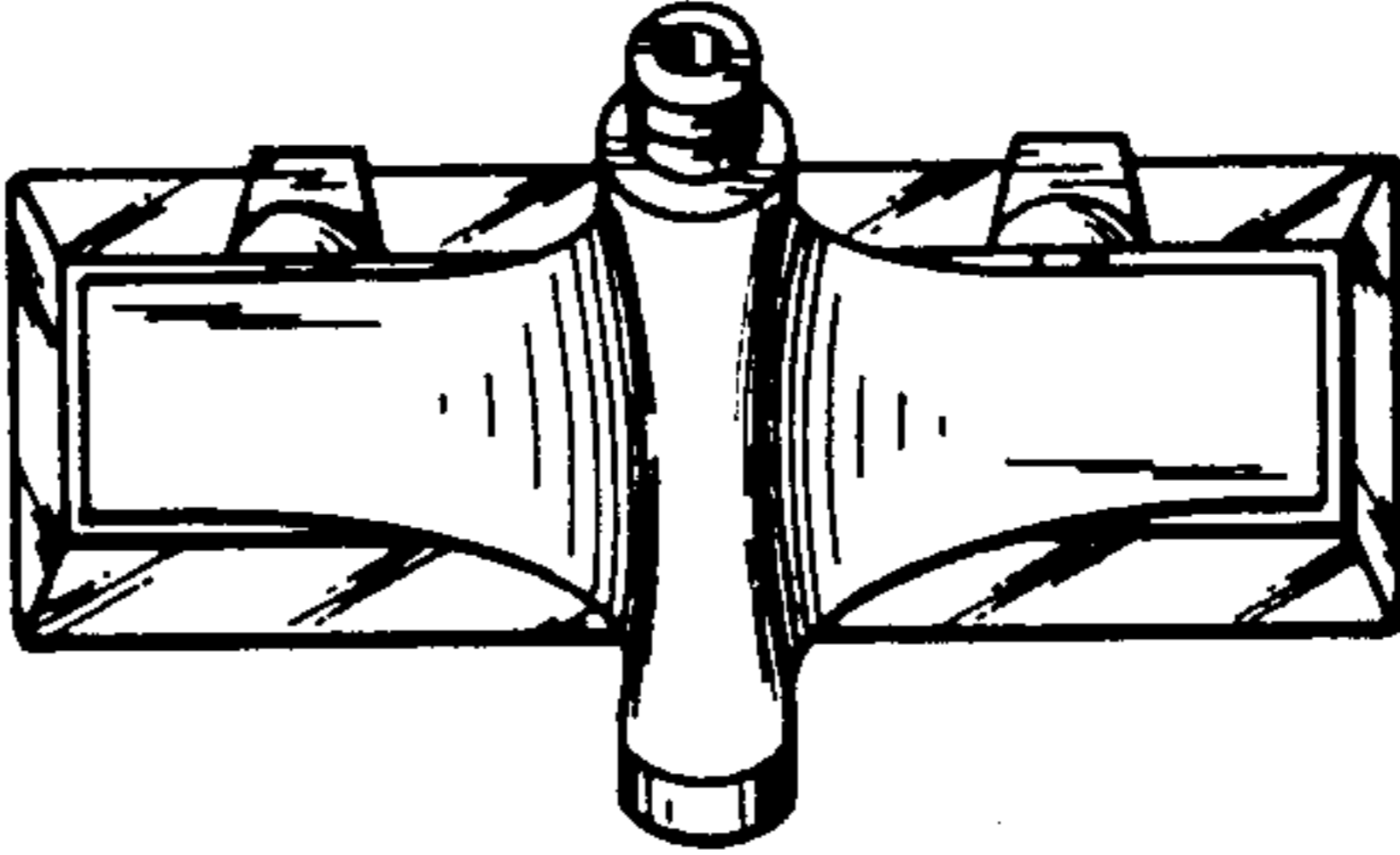


FIG. 4