

[54] COSMETIC TRAVEL CASE

[76] Inventor: Tommy F. Rader, 2021 N. 23rd Pl., Phoenix, Ariz. 85006

[\*\*] Term: 14 Years

[21] Appl. No.: 852,847

[22] Filed: Nov. 18, 1977

[51] Int. Cl. .... D3-02

[52] U.S. Cl. .... D3/39; D3/74; D3/78

[58] Field of Search ..... D3/30, 35, 39, 74, 78, D3/99; 132/79 F, 79 G; D9/240, 222; D28/61; D7/76, 82

References Cited

U.S. PATENT DOCUMENTS

D. 202,160	8/1965	Territo .....	D3/39
D. 213,601	3/1969	Benke .....	D3/74
2,382,061	8/1945	Janchick .....	132/79 G
2,570,341	10/1951	Hake .....	132/79 F

FOREIGN PATENT DOCUMENTS

142129	2/1935	Austria .....	132/79 F
167722	of 1921	United Kingdom .....	132/79 F

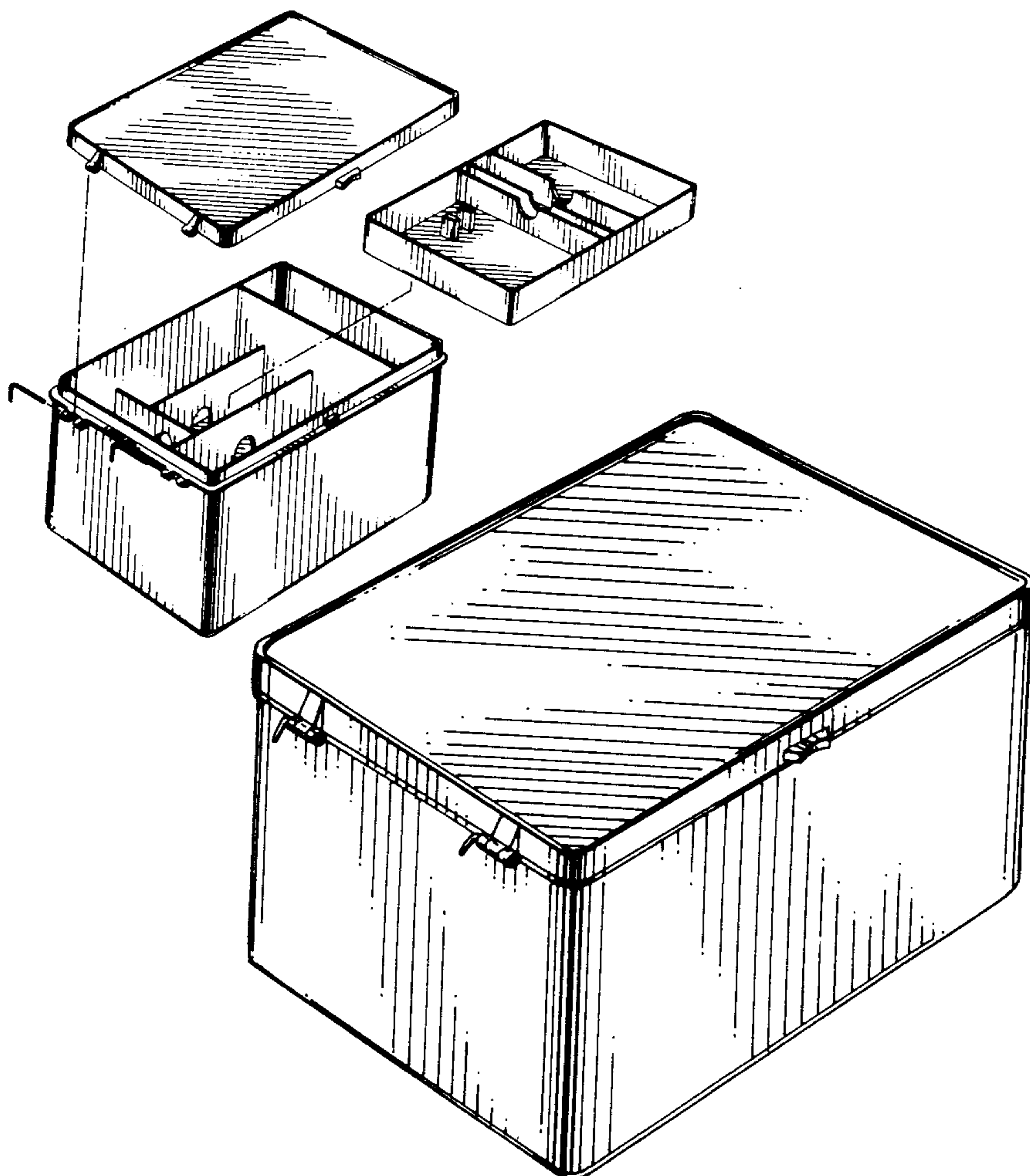
Primary Examiner—George P. Word  
Attorney, Agent, or Firm—Gregory J. Nelson

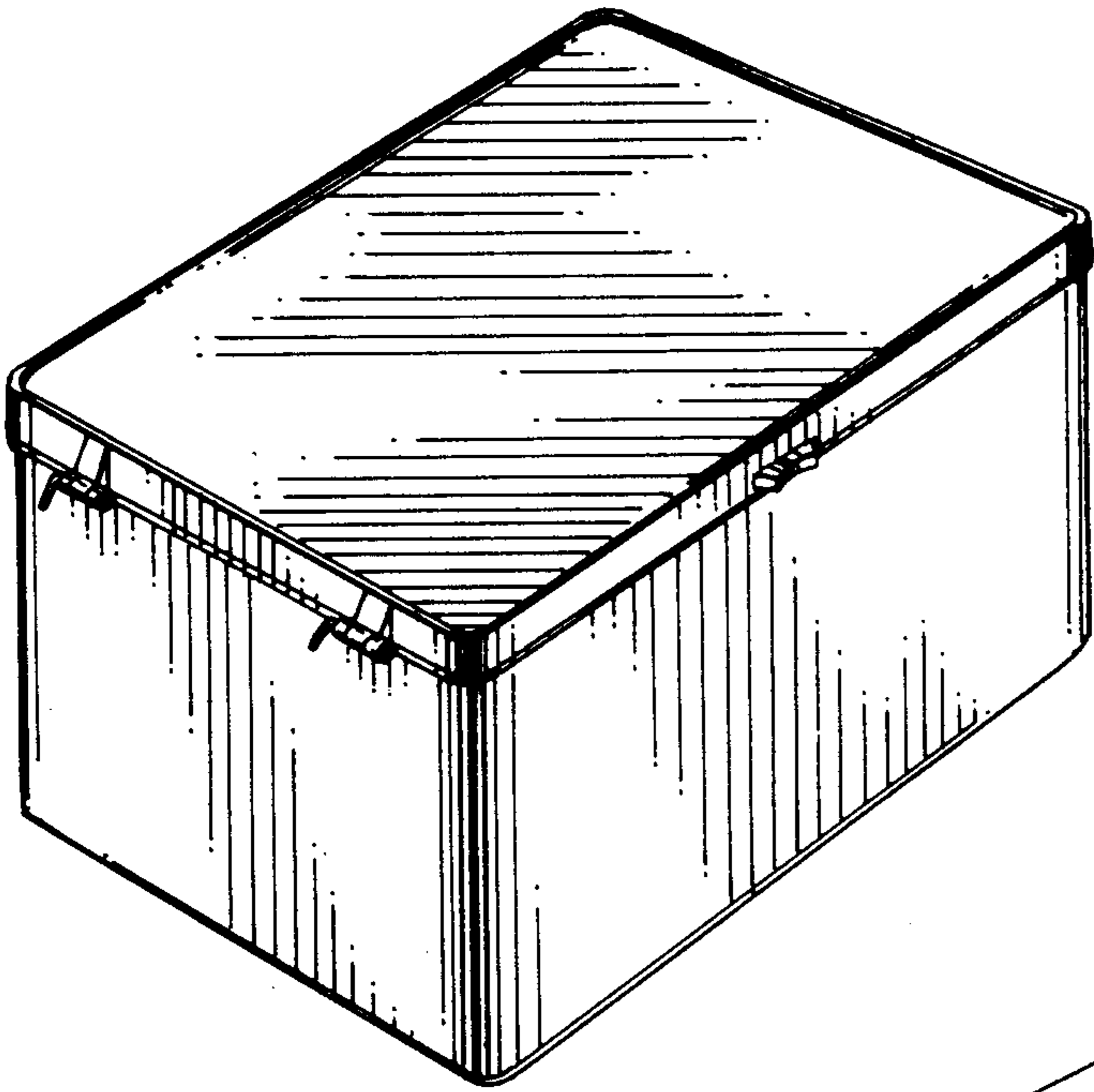
[57] CLAIM

The ornamental design for a cosmetic travel case, as shown and described.

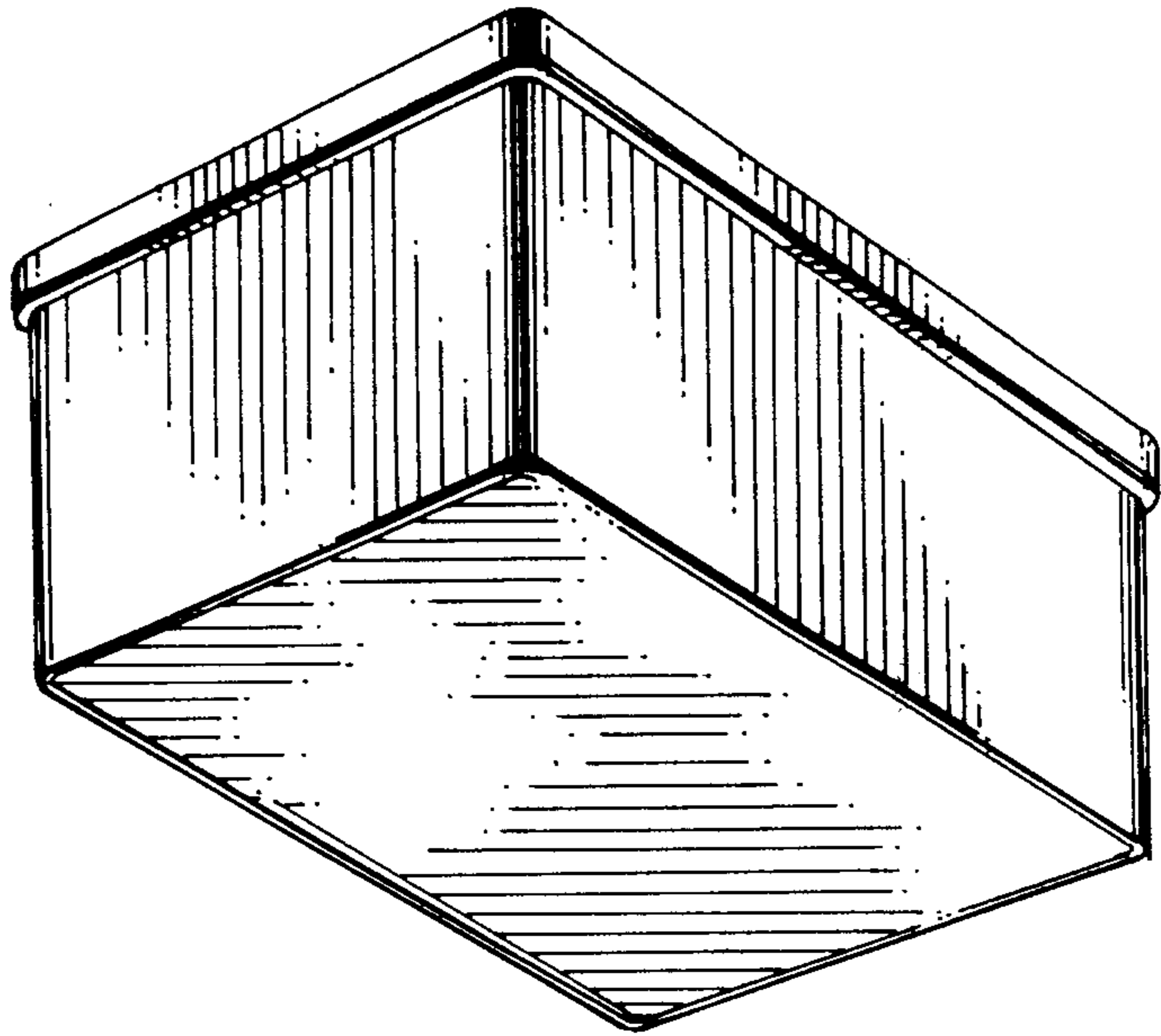
DESCRIPTION

FIG. 1 is a perspective view of a cosmetic travel case showing my new design;  
 FIG. 2 is a bottom rear perspective view thereof;  
 FIG. 3 is a front elevational view thereof;  
 FIG. 4 is an exploded perspective view thereof with the cover and lift-out tray removed to show the interior compartments;  
 FIG. 5 is a side elevation view of the lift-out tray;  
 FIG. 6 is a top plan view of the case with the top and lift-out tray removed; and,  
 FIG. 7 is a top plan view of the lift-out tray.

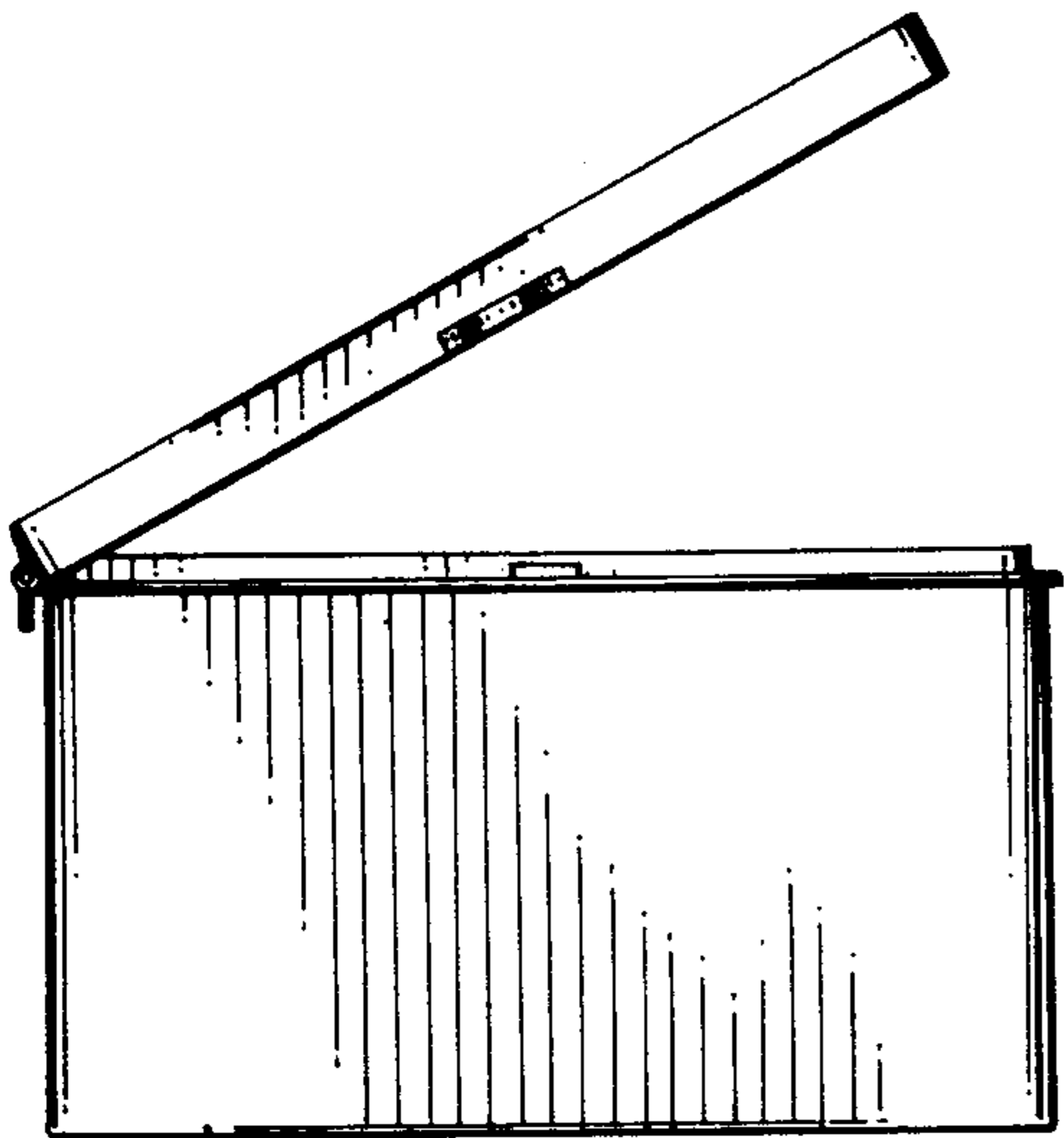




*FIG. 1*



*FIG. 2*



*FIG. 3*

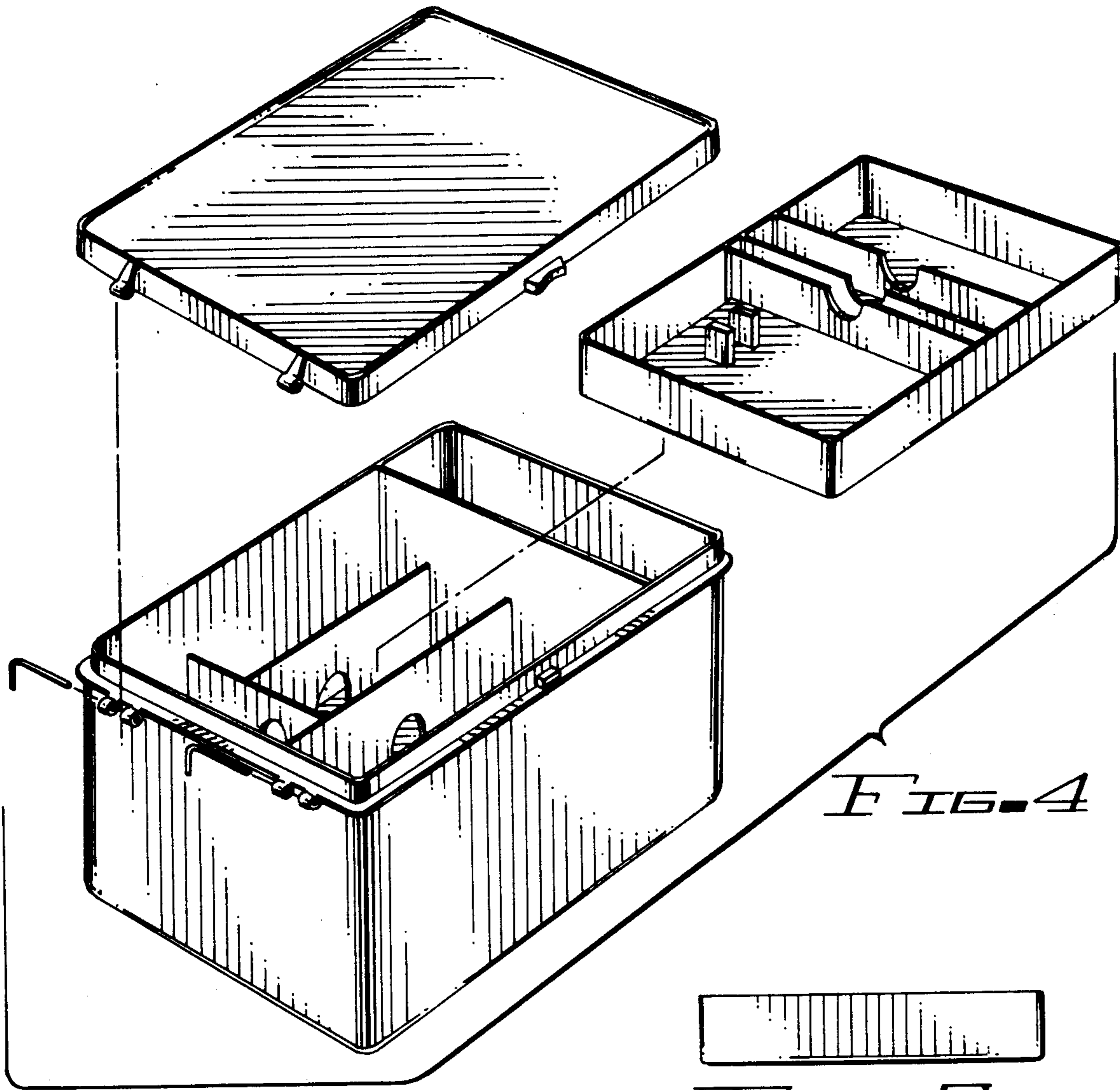


FIG. 4



FIG. 5

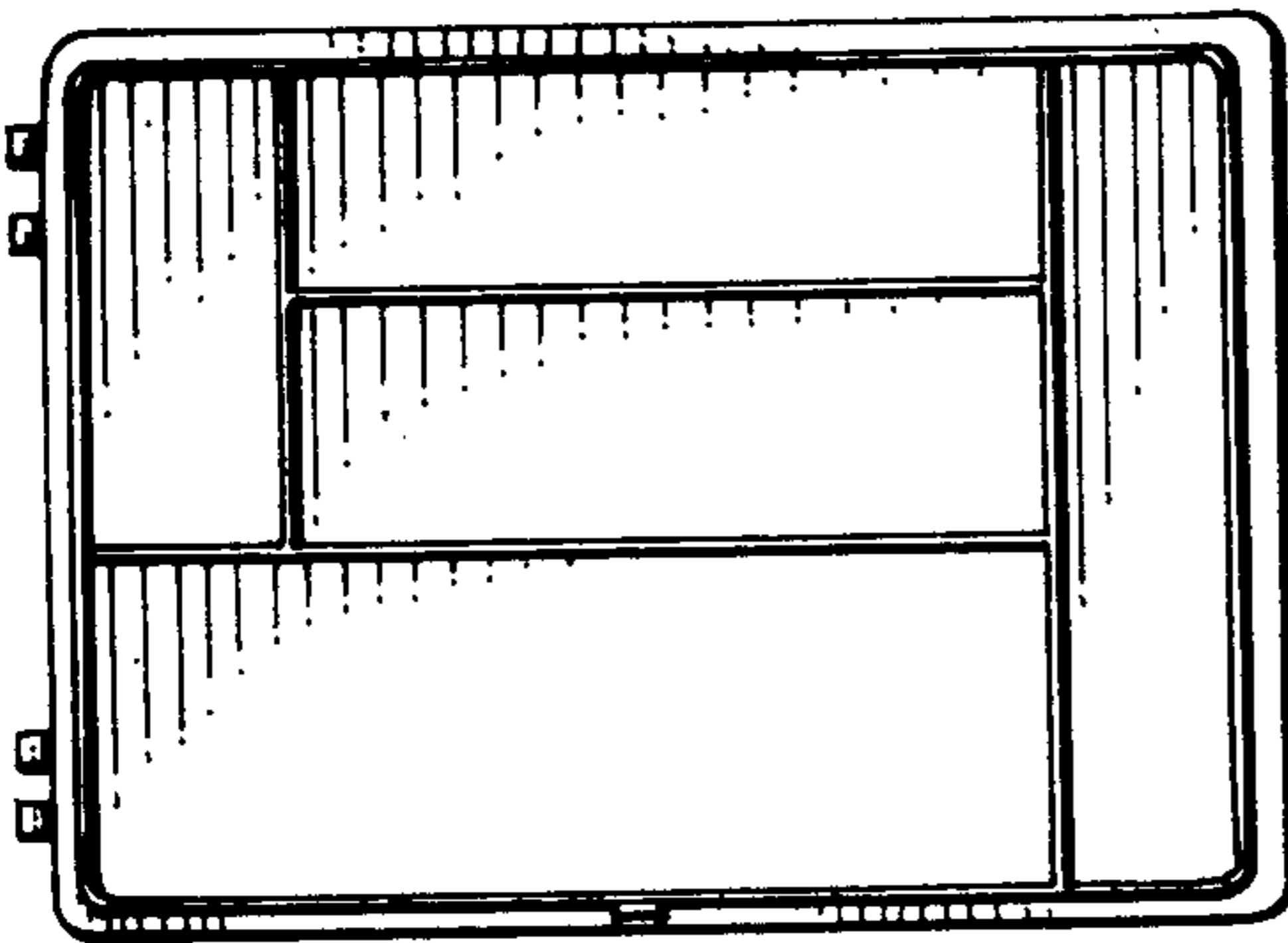


FIG. 6

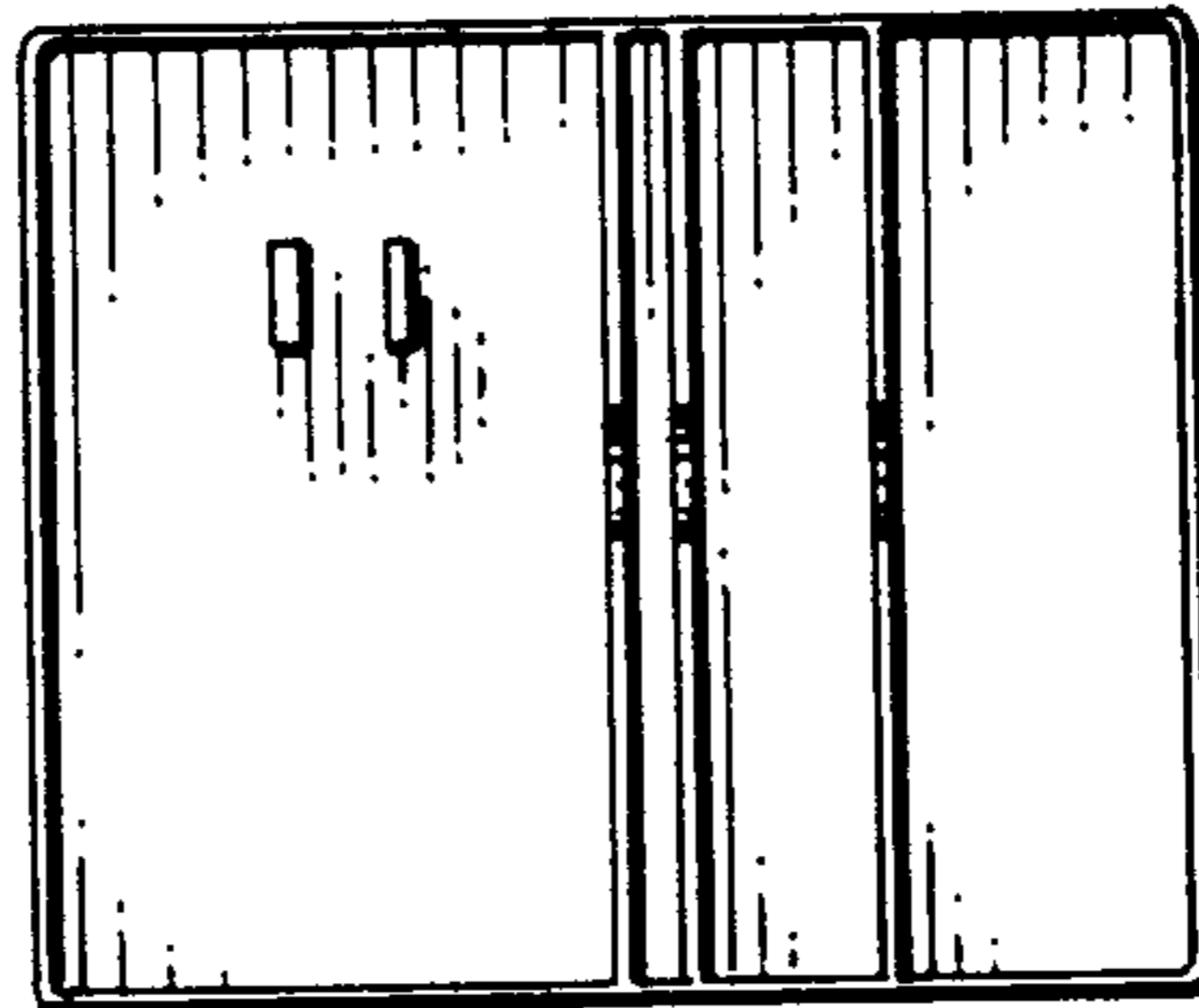


FIG. 7