

[54] ASH TRAY

[76] Inventor: Ed Duin, 1141 Meadowsweet Dr.,
Corte Madera, Calif. 94925

[**] Term: 14 Years

[21] Appl. No.: 70,337

[22] Filed: Aug. 27, 1979

[51] Int. Cl. D27-03

[52] U.S. Cl. D27/27

[58] Field of Search D27/8-29;
131/240 R, 240 E, 240 GG, 241, 242; 220/1 H

[56]

References Cited

U.S. PATENT DOCUMENTS

D. 155,083	9/1949	Frank	D27/27
D. 185,942	8/1959	Ajdukovich	D27/28
D. 187,969	5/1960	Bickford	D27/8 X
3,283,938	11/1966	Vidal	131/242 X

Primary Examiner—Catherine E. Kemper

Attorney, Agent, or Firm—Ed Duin

[57]

CLAIM

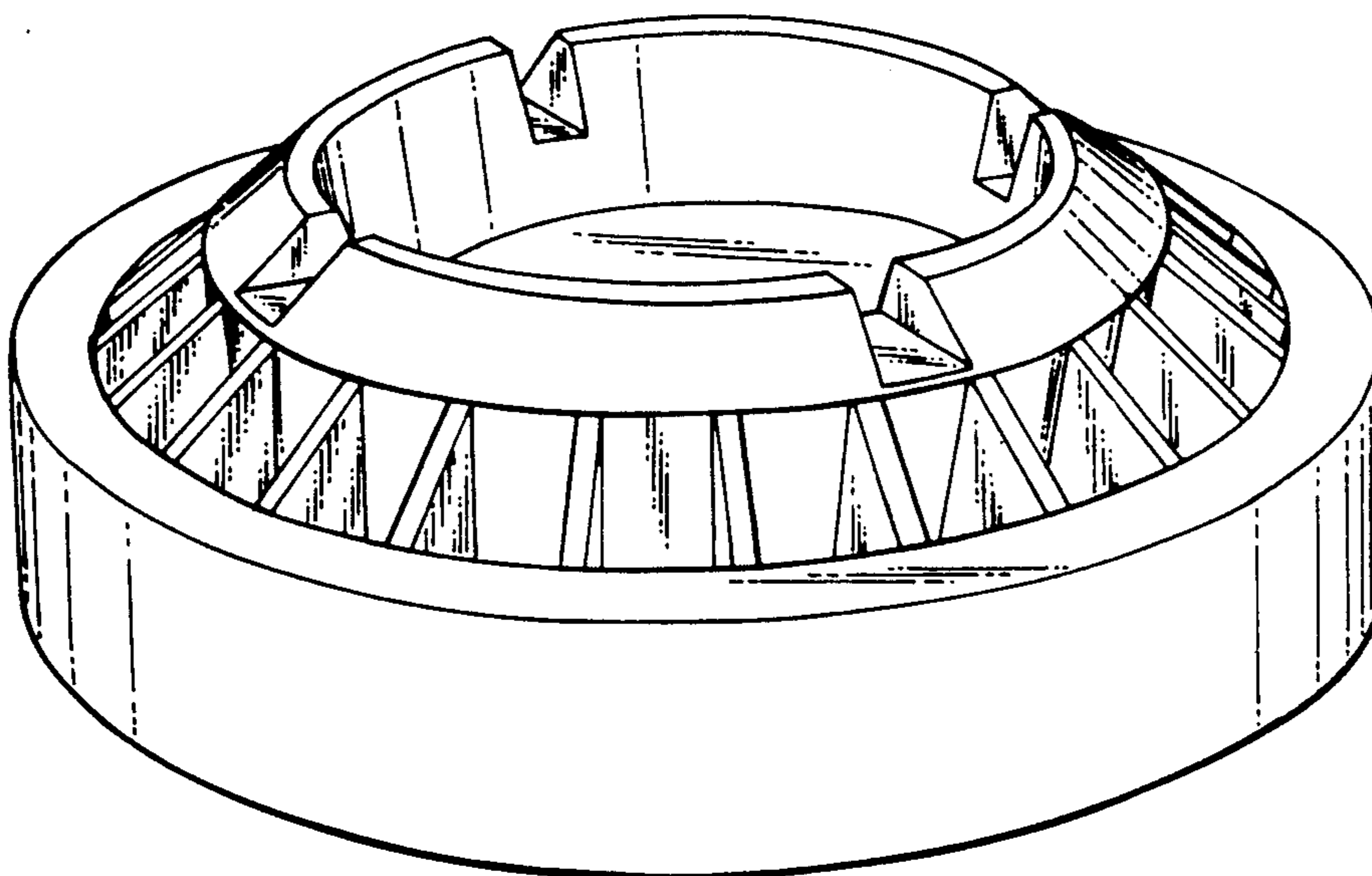
The ornamental design for an ash tray, as shown.

DESCRIPTION

FIG. 1 is a perspective view of an ash tray, showing my new design;

FIG. 2 is a top plan view thereof;

FIG. 3 is a side elevational view thereof.



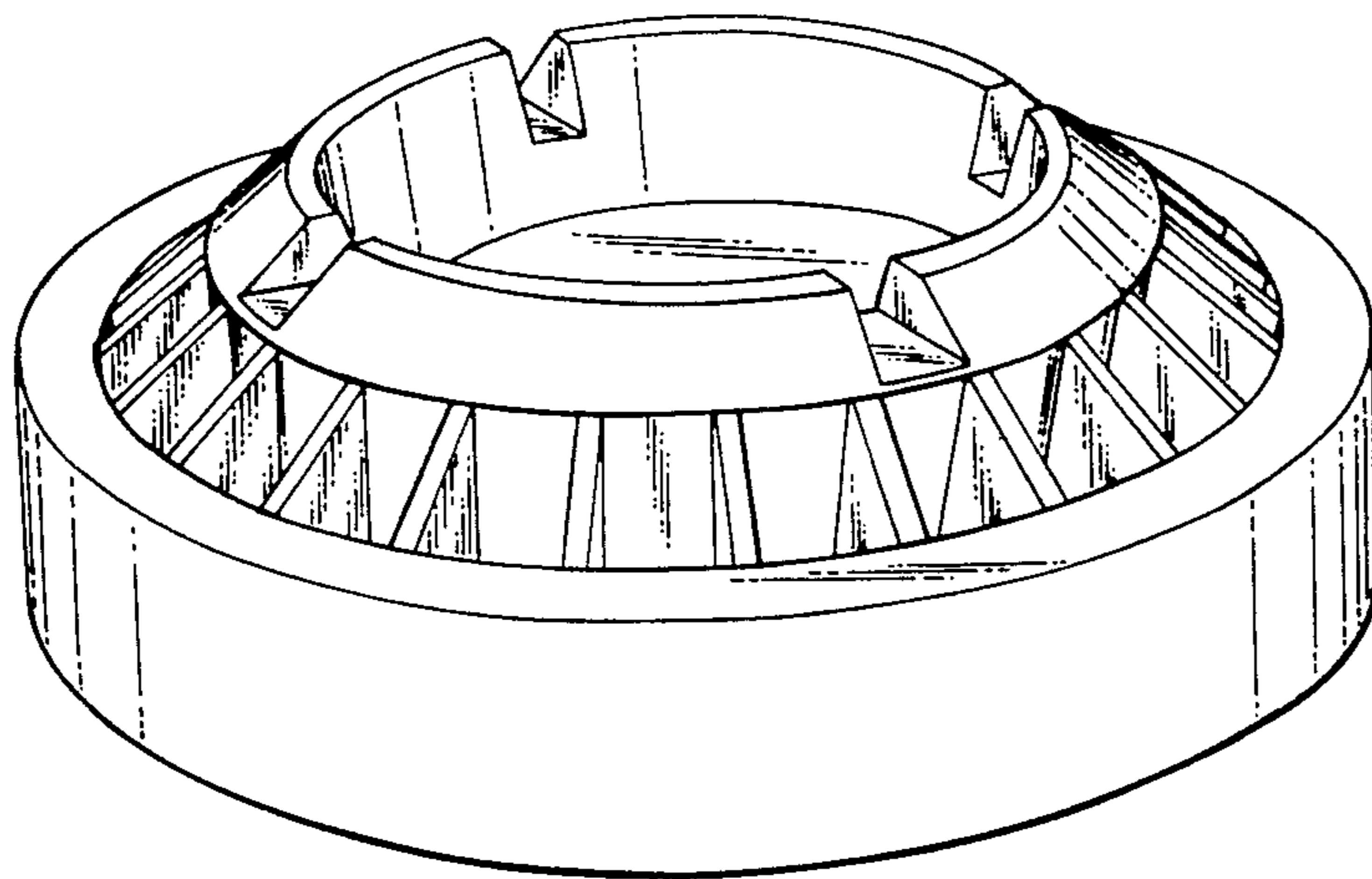


FIG. 1.

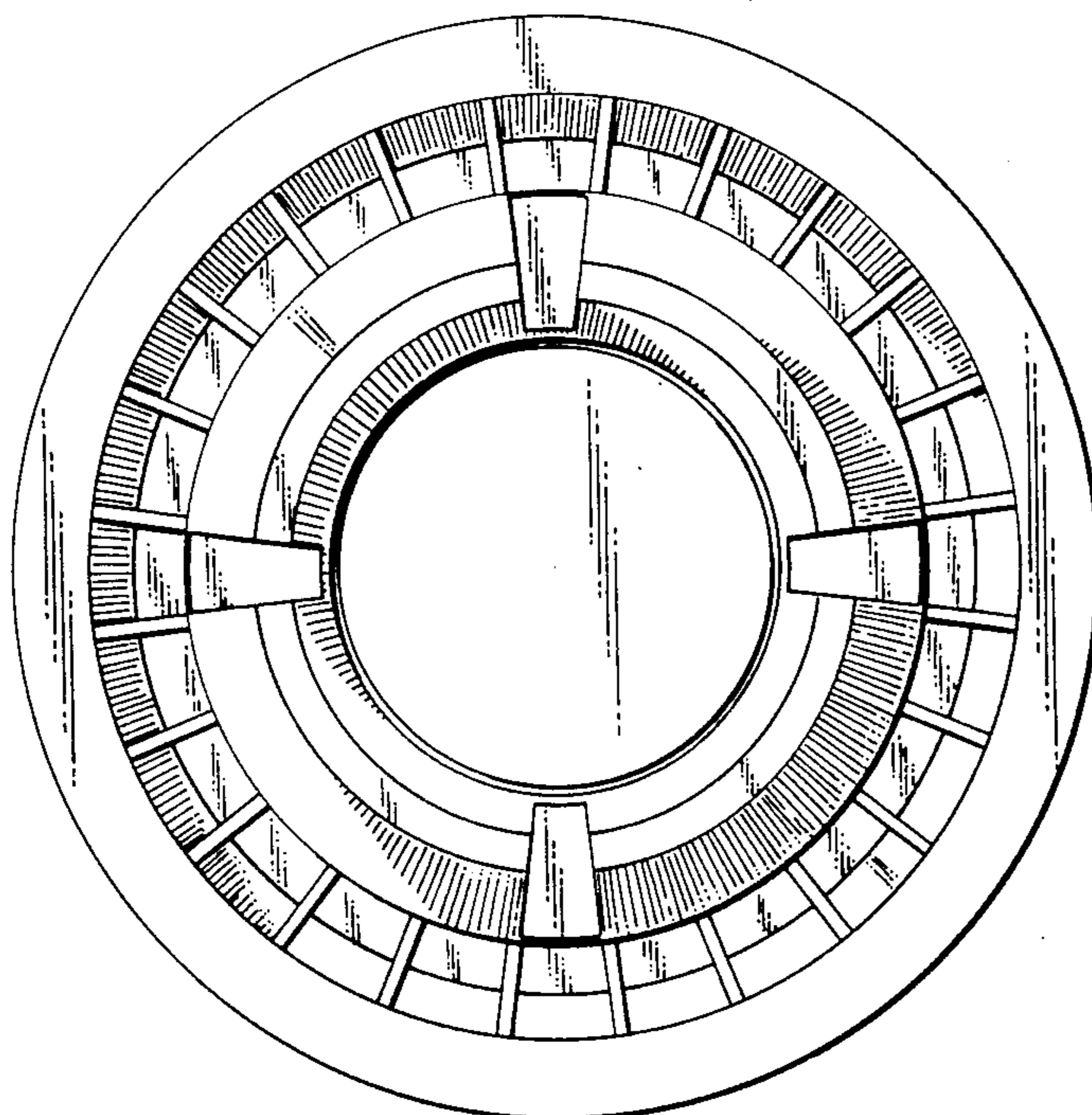


FIG. 2.

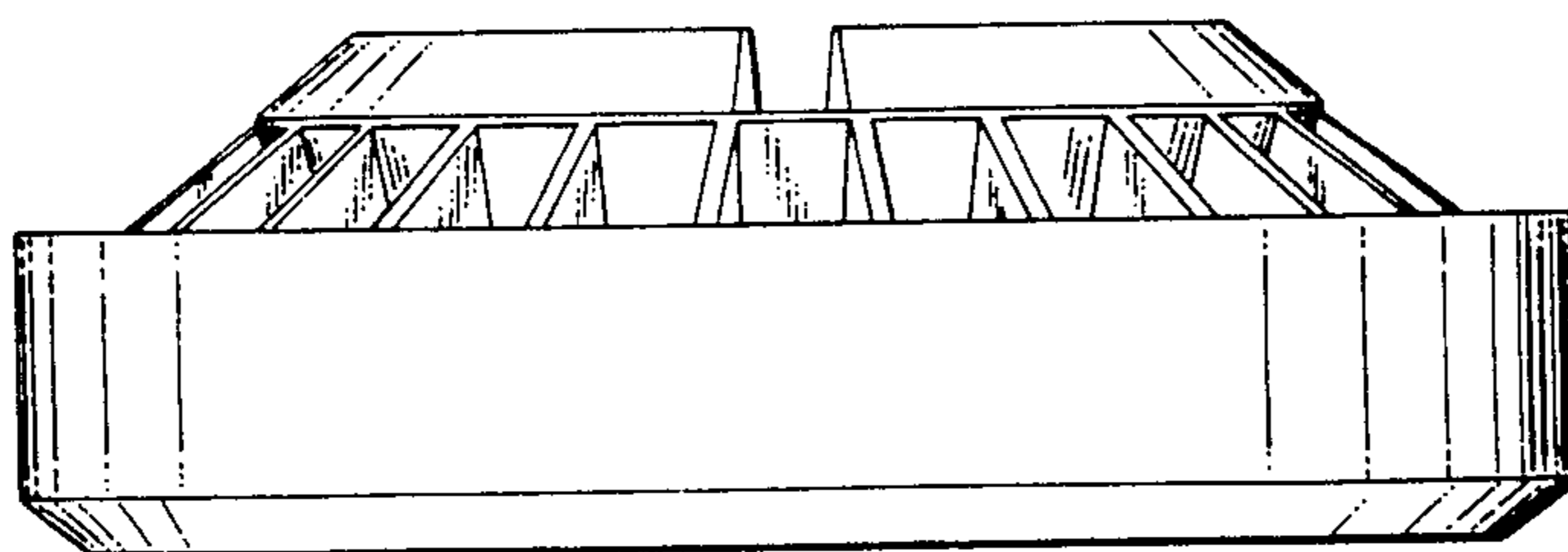


FIG. 3.