

[54] SPOTLIGHT

[75] Inventor: Gordon T. Leon, San Pedro, Calif.

[73] Assignee: Berkey-Colortran, Inc., Burbank, Calif.

[**] Term: 14 Years

[21] Appl. No.: 969,734

[22] Filed: Dec. 15, 1978

[51] Int. Cl. D26-05

[52] U.S. Cl. D26/63

[58] Field of Search 362/3, 217, 220, 227, 362/235, 269, 285, 290, 329, 341, 362, 368, 370, 410; D26/24, 61-66, 72

[56] References Cited

U.S. PATENT DOCUMENTS

D. 201,037 5/1965 Rudolph D48/20 K
D. 247,689 4/1978 LeVasseur D48/20 K

OTHER PUBLICATIONS

Light & Lighting, (England), 6-1964, p. 183-"Rotaflex Spotlight".

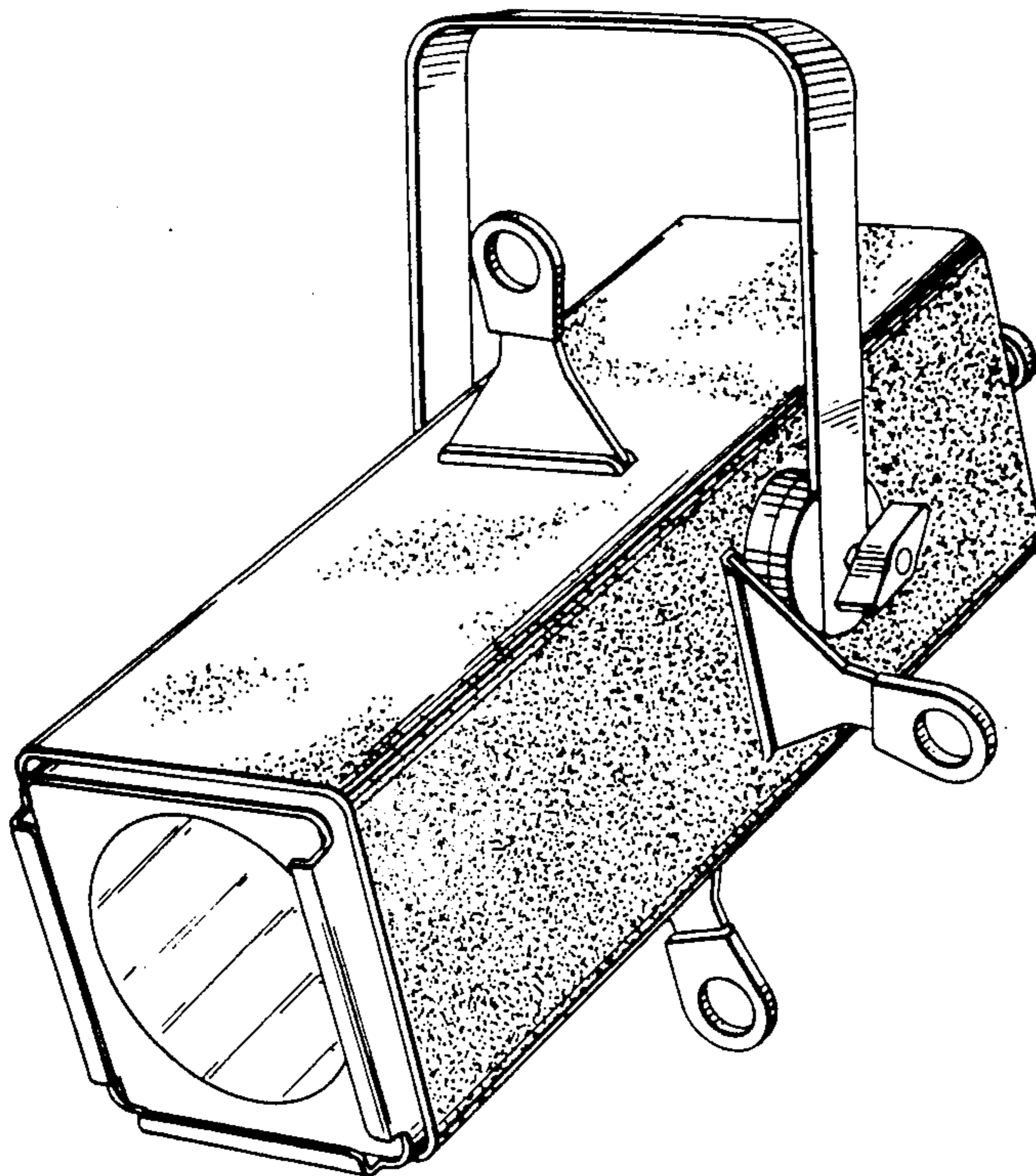
Primary Examiner—Catherine E. Kemper
Attorney, Agent, or Firm—Sidney Neuman

[57] CLAIM

The ornamental design for a spotlight, substantially as shown and described.

DESCRIPTION

FIG. 1 is a front perspective view of a spotlight, showing my new design;
FIG. 2 is a rear perspective view thereof.



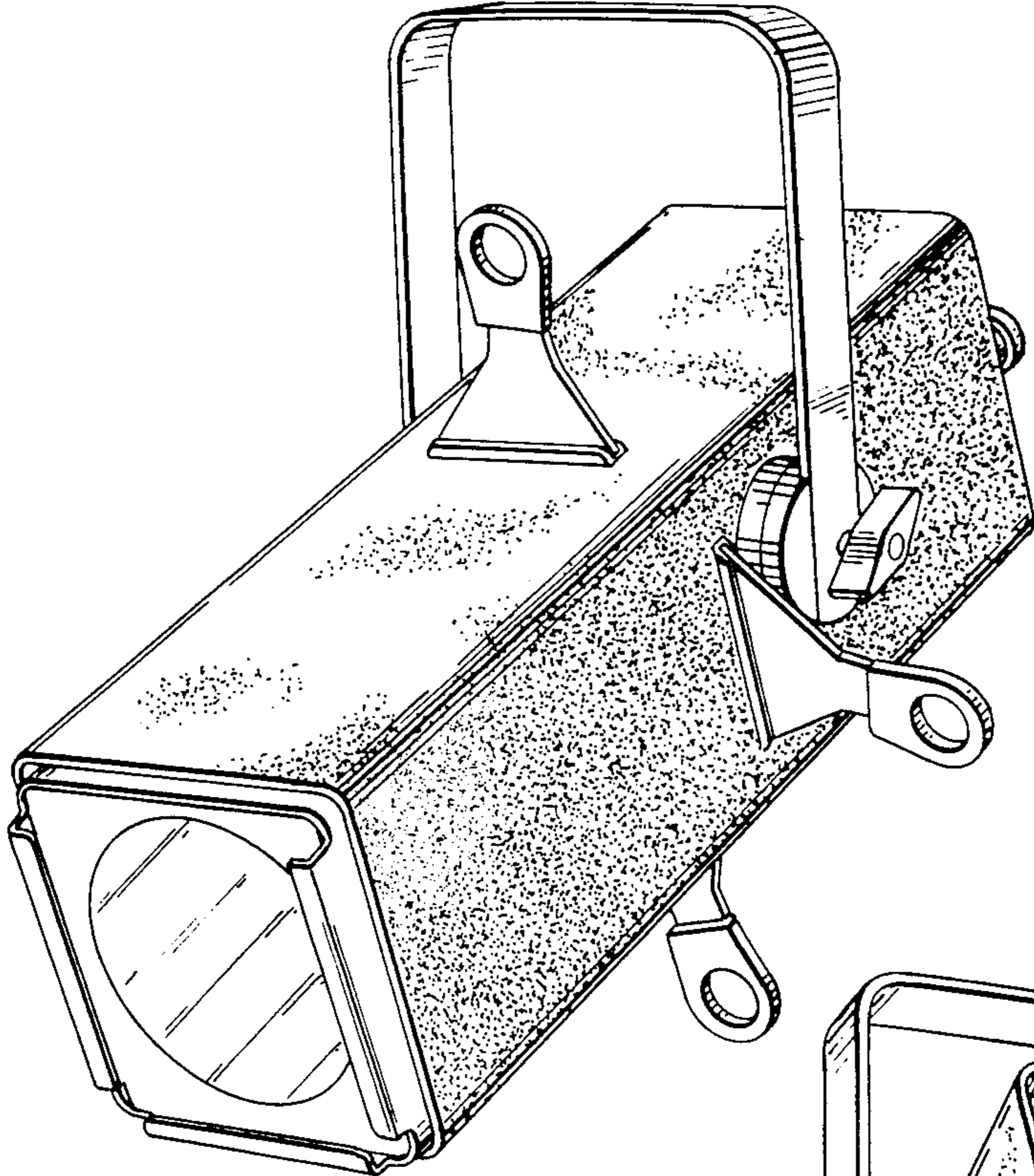


FIG. 1

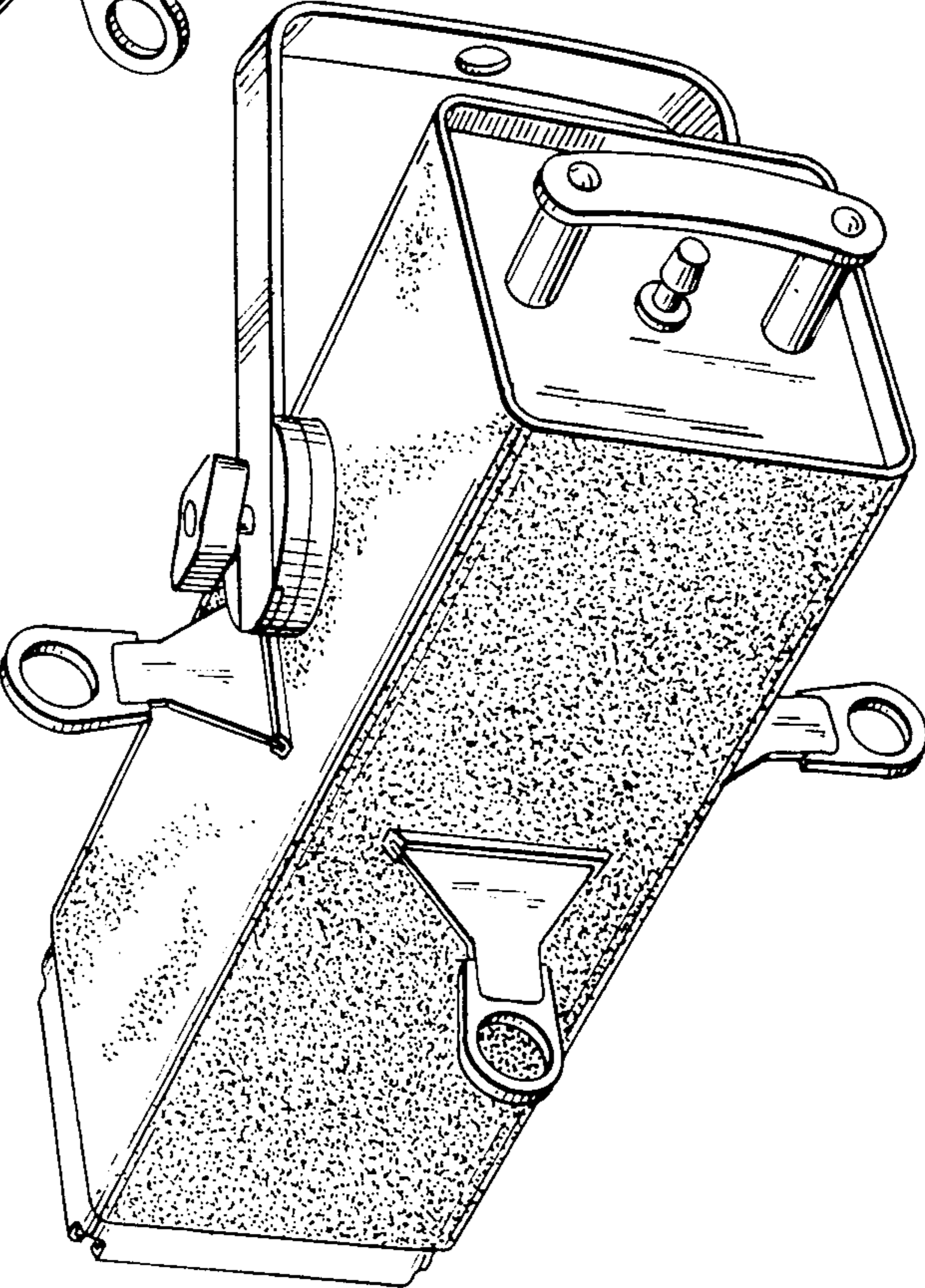


FIG. 2