

[54] **BASE SUPPORT MOUNT FOR A HEAT PUMP OR THE LIKE**

3,851,626 12/1974 Boyd et al. 248/678

[76] Inventors: **Brian D. Adam; Douglas G. Adam,**
both of P.O. Box 1434, Sioux City,
Iowa 51102

Primary Examiner—Sam Rosen
Attorney, Agent, or Firm—B. Edward Shlesinger, Jr.

[**] Term: **14 Years**

[57] **CLAIM**

The ornamental design for a base support mount for a heat pump or the like, as shown and described.

[21] Appl. No.: **911,167**

DESCRIPTION

[22] Filed: **May 31, 1978**

FIG. 1 is a perspective view of a base support mount for a heat pump or the like showing our new design;

[51] Int. Cl. **D23—03**

FIG. 2 is a side elevational view thereof;

[52] U.S. Cl. **D23/127; D6/194**

FIG. 3 is a bottom plan view thereof;

[58] Field of Search 248/678, 679, 346;
D15/141; D6/194; D23/72, 127; 62/324, 160,
508; 165/29

FIG. 4 is a top plan view thereof; and
FIG. 5 is a perspective view of a modified form of the base support mount described in FIG. 1 showing our new design.

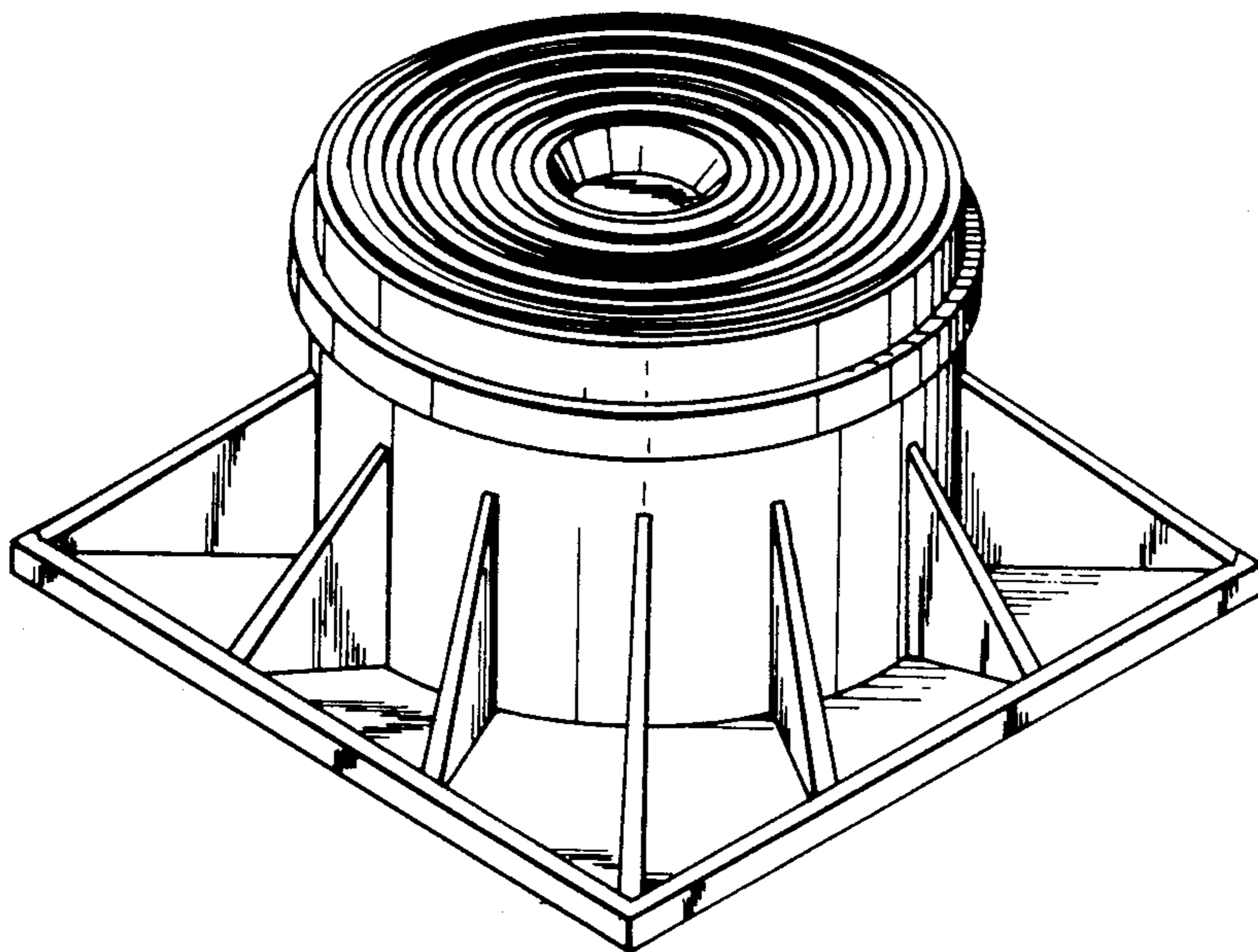
[56] **References Cited**

The base support mount of FIG. 5 shows the center cylinder wall broken away to show indeterminate length.

U.S. PATENT DOCUMENTS

The bottom plan and top plan views of FIG. 5 are identical with FIGS. 3 and 4, respectively.

3,713,620 1/1973 Tkach 248/346
3,722,845 3/1973 Unger 248/679



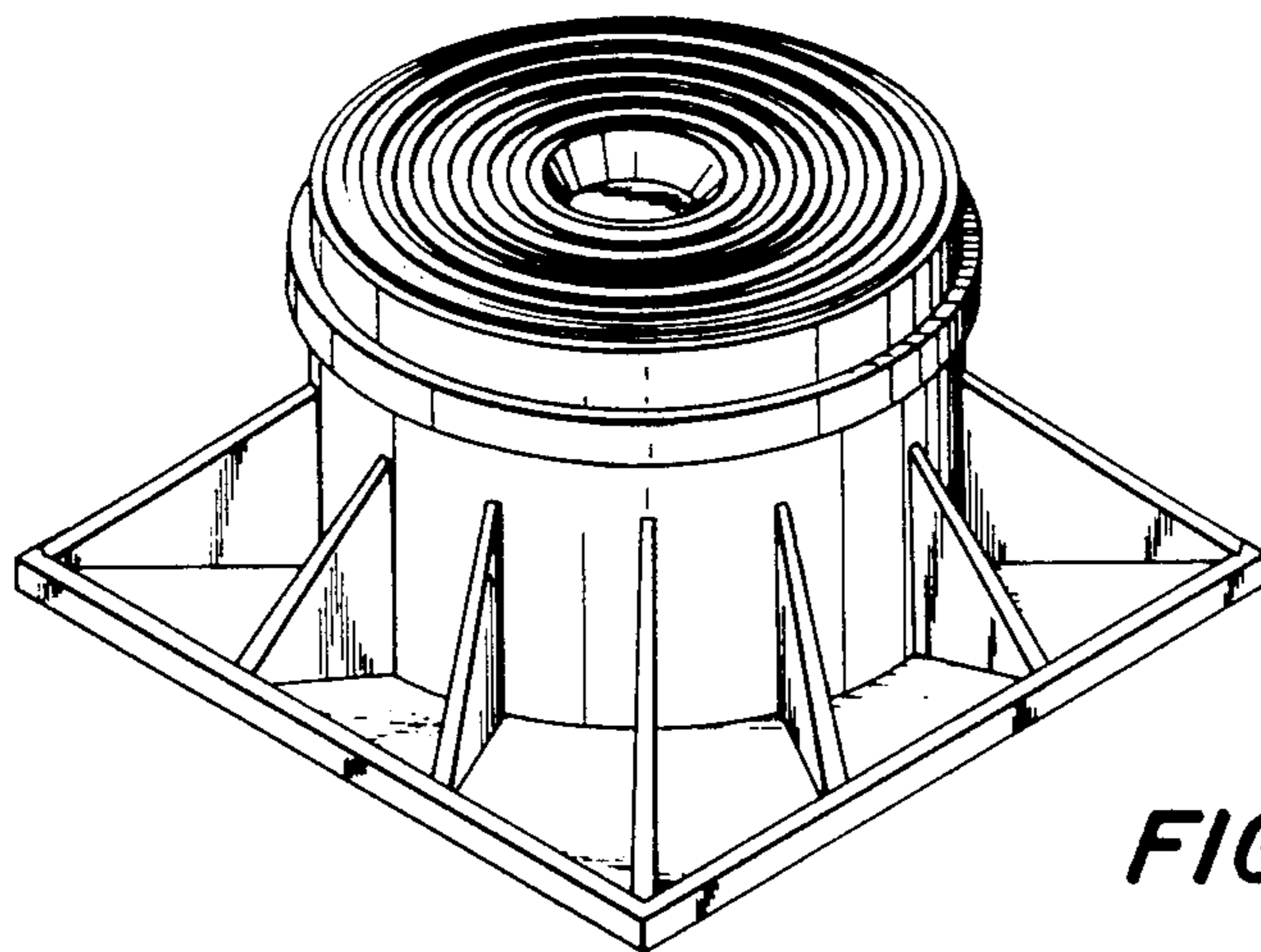


FIG. 1

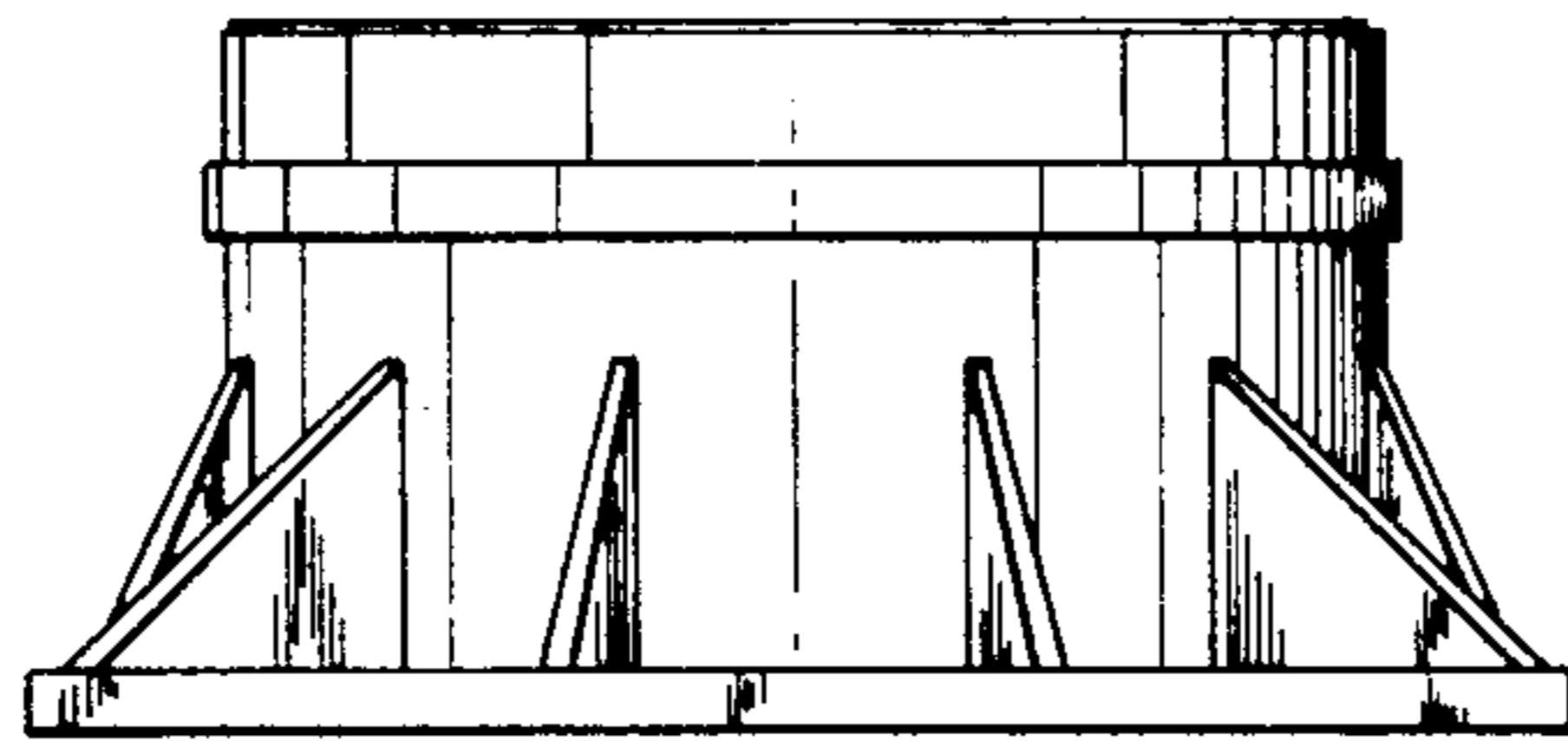


FIG. 2

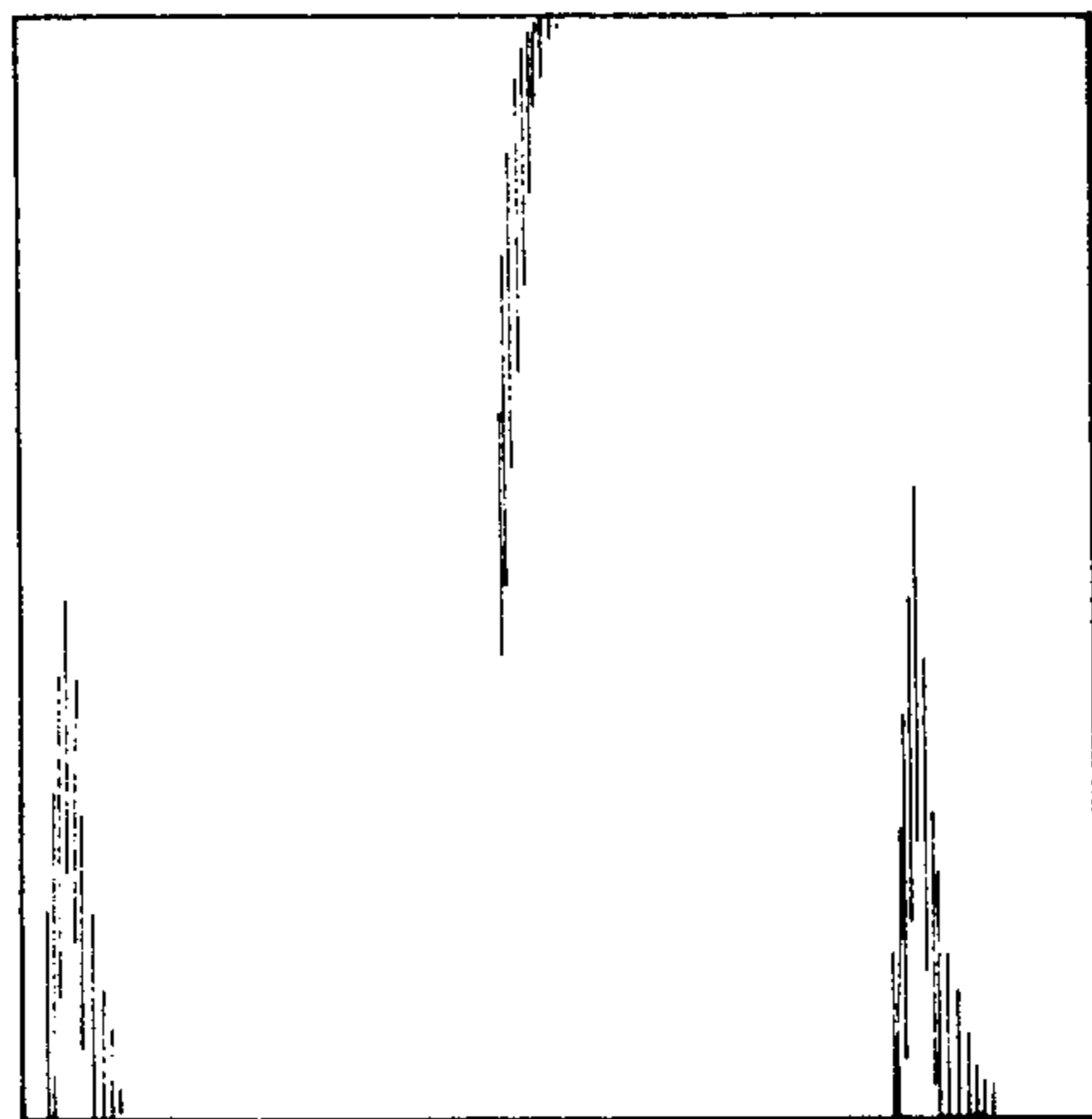


FIG. 3

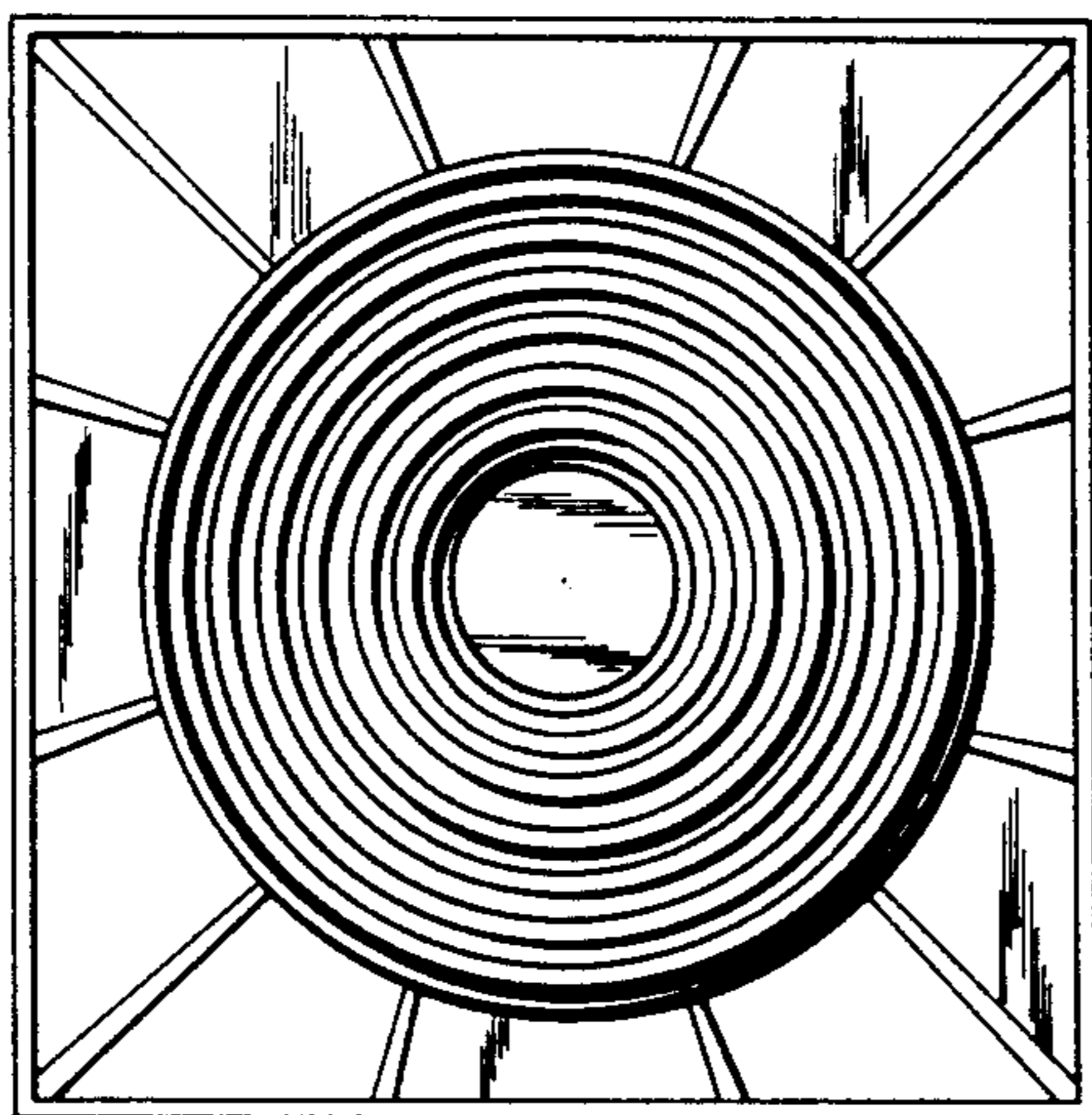


FIG. 4

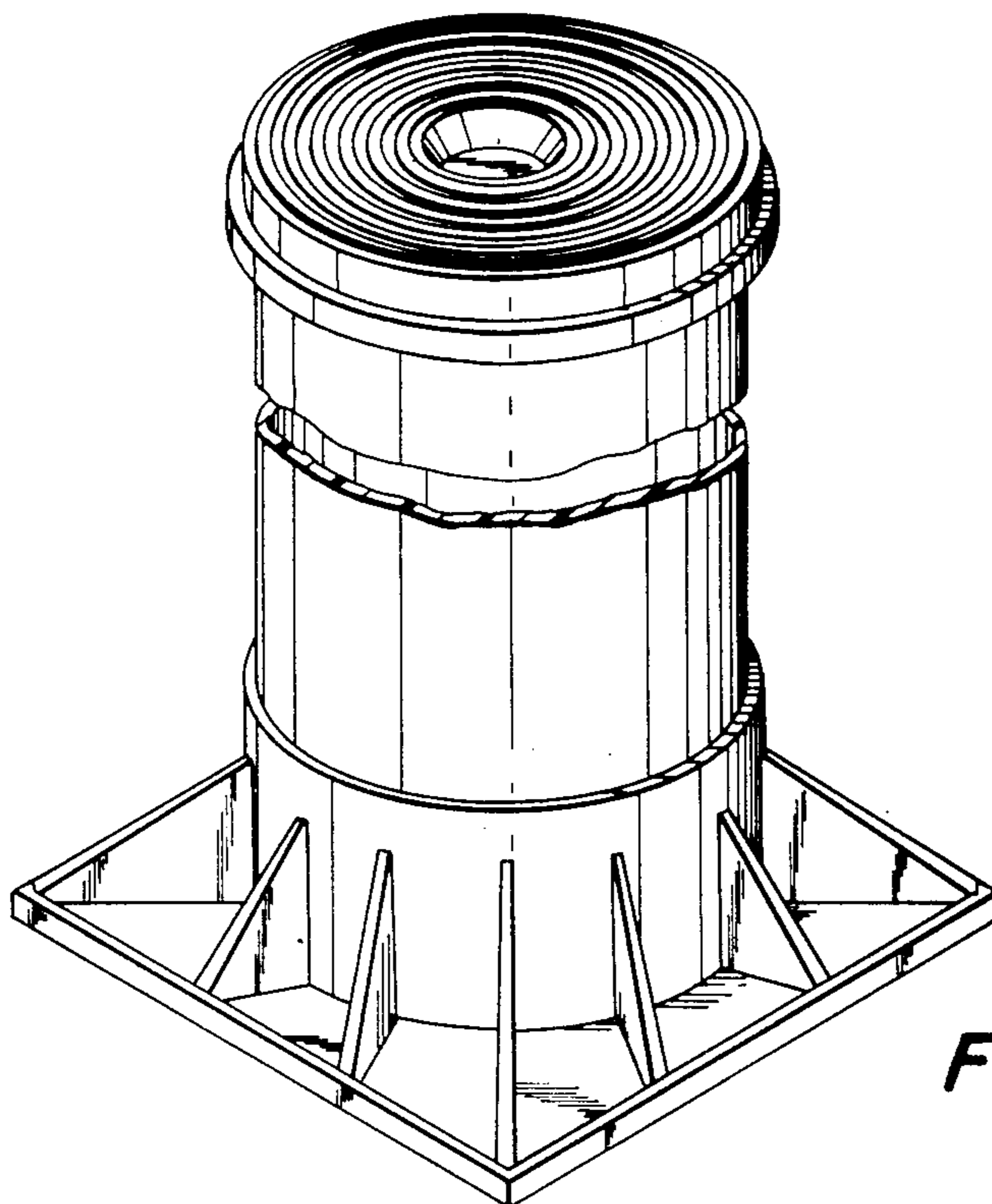


FIG. 5