

[54] SIMULATIVE TOY VEHICLE

[75] Inventor: Keiichi Murasaki, Tateishi, Japan

[73] Assignee: Tomy Kogyo Co., Inc., Tateishi, Japan

[**] Term: 14 Years

[21] Appl. No.: 965,500

[22] Filed: Dec. 1, 1978

[51] Int. Cl. D21-01

[52] U.S. Cl. D21/77

[58] Field of Search D21/76, 77, 80, 128, D21/136, 82, 87; 46/201, 206, 207, 210, 222, 74 R, 76 R, 77, 78; 280/1.11 R, 1.12, 1.202, 1.21, 1.208, 200, 87.01, 481

[56] References Cited

U.S. PATENT DOCUMENTS

D. 152,524	2/1949	Flatt	280/1.12
D. 235,057	5/1975	Williams	D12/108
D. 251,865	5/1979	Butler	D21/77
2,501,035	3/1950	Doak et al.	280/1.11 R
2,755,095	7/1956	Douglas et al.	280/1.12

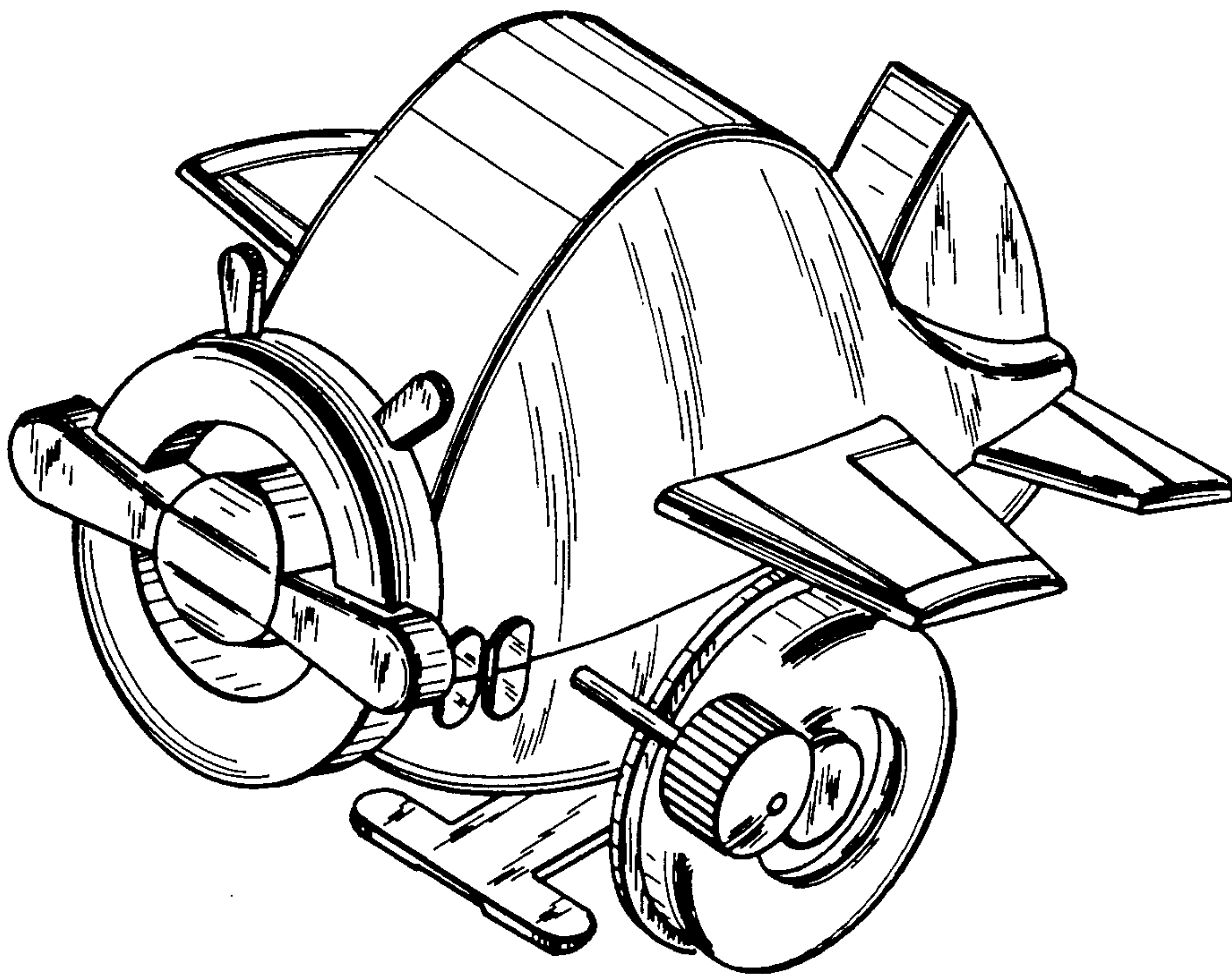
Primary Examiner—Charles A. Rademaker
Attorney, Agent, or Firm—Edward D. O'Brian

[57] CLAIM

The ornamental design for a simulative toy vehicle, substantially as shown and described.

DESCRIPTION

FIG. 1 is a perspective view of a simulative toy vehicle showing my new design; FIG. 2 is a left side elevational view thereof; FIG. 3 is a rear elevational view thereof; and FIG. 4 is a bottom plan view thereof.



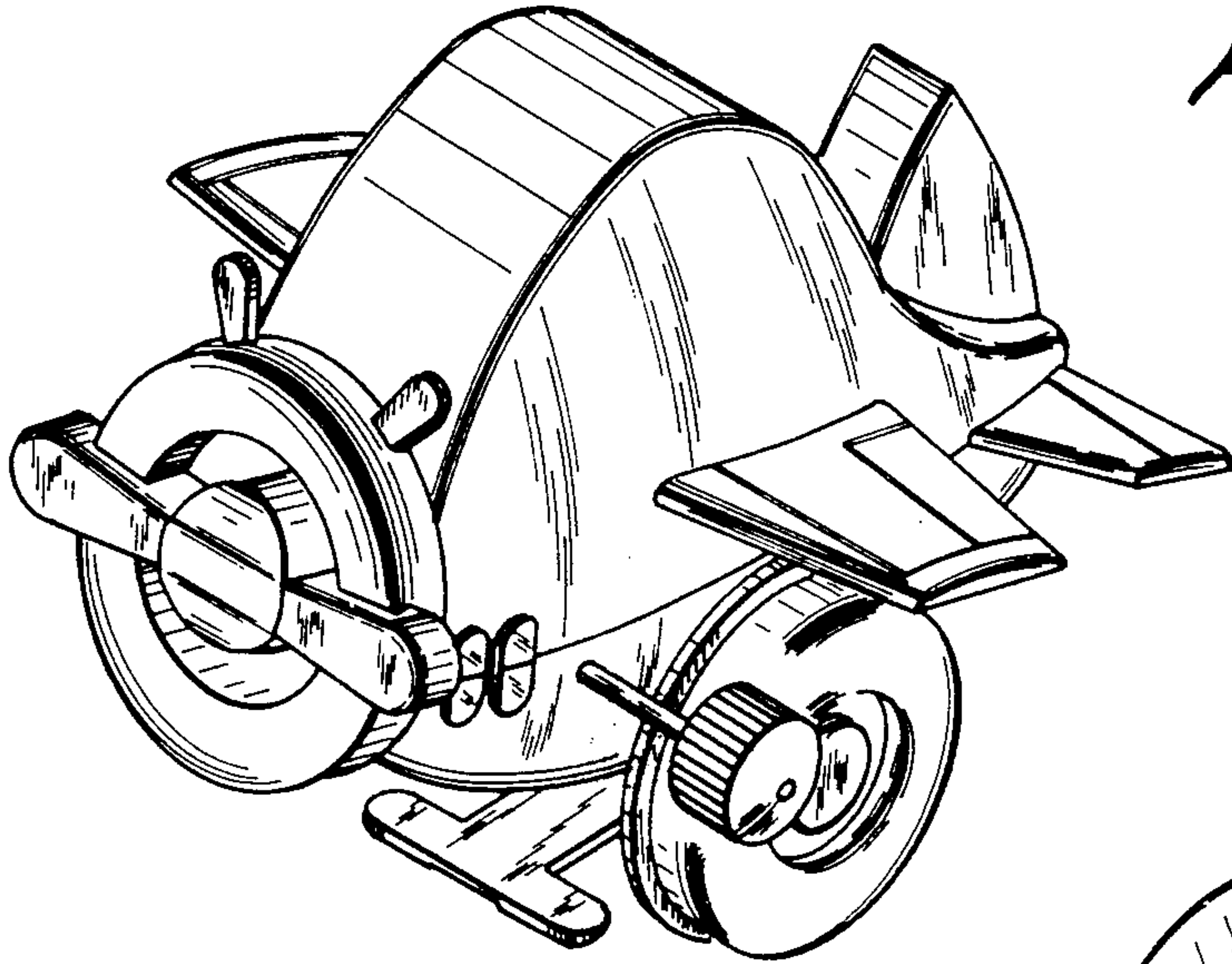


Fig. 1

Fig. 2

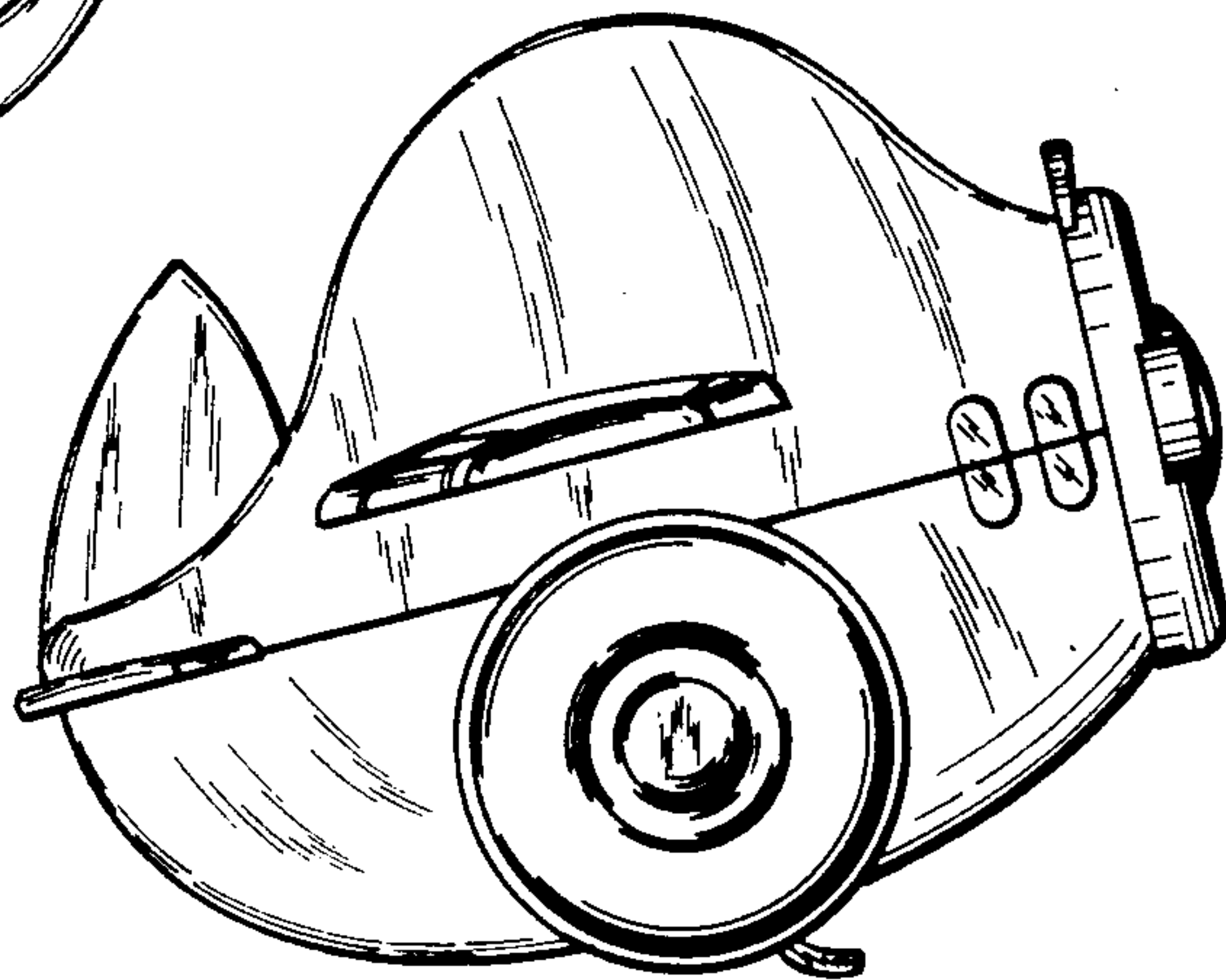


Fig. 3

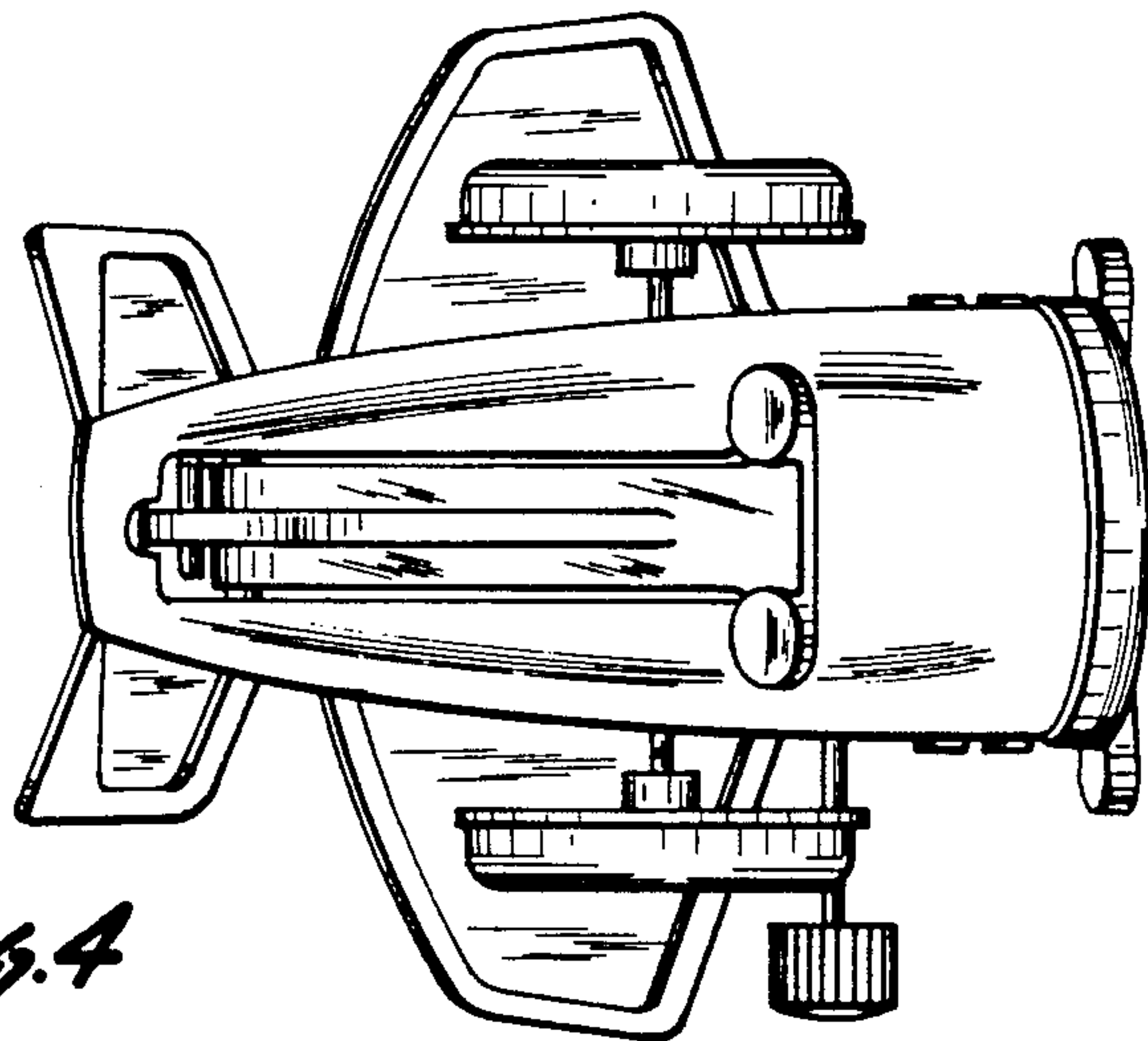
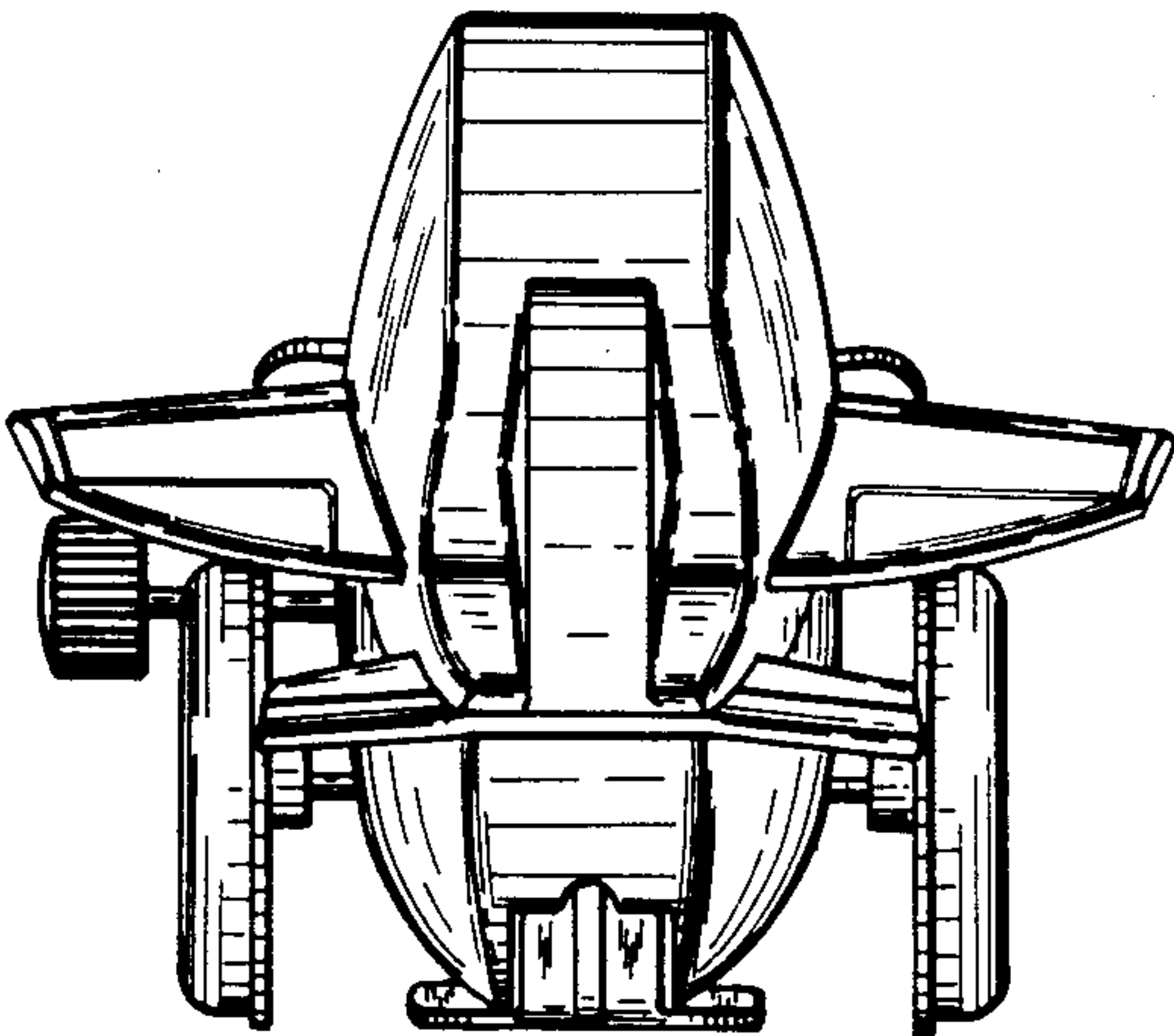


Fig. 4

UNITED STATES PATENT AND TRADEMARK OFFICE
CERTIFICATE OF CORRECTION

PATENT NO. : Des. 258,302
DATED : February 17, 1981
INVENTOR(S) : KEIICHI MURASAKI

It is certified that error appears in the above—identified patent and that said Letters Patent is hereby corrected as shown below:

Add the following claim for Priority to the Title page by inserting the following new lines:

--[30] FOREIGN APPLICATION PRIORITY DATA
June 3, 1978 Japan.....53-23240--.

Signed and Sealed this

Seventeenth Day of November 1981

[SEAL]

Attest:

Attesting Officer

GERALD J. MOSSINGHOFF

Commissioner of Patents and Trademarks