

[54] TOY FIRE ENGINE

[56] References Cited

[75] Inventor: Patrick T. A. Burdock, Broadstairs, England

FOREIGN PATENT DOCUMENTS

2300822 7/1974 Fed. Rep. of Germany 280/87.01

[73] Assignee: Rovex Limited, London, England

OTHER PUBLICATIONS

Sears Xmas Catalog, 1974, p. 482, Item #1, Toy Fire Truck.

Hong Kong Toys, 1976, p. 100, Toy Fire Truck at right side of page.

Primary Examiner—Charles A. Rademaker
Attorney, Agent, or Firm—V. M. Wigman

[**] Term: 14 Years

[57] CLAIM

The ornamental design for a toy fire engine, as shown and described.

[21] Appl. No.: 923,739

[22] Filed: Jul. 11, 1978

[30] Foreign Application Priority Data

DESCRIPTION

Jan. 13, 1978 [GB] United Kingdom 982949/78

FIG. 1 is a side elevational view of a toy fire engine showing my new design;

FIG. 2 is a front perspective view thereof;

FIG. 3 is a top plan view thereof;

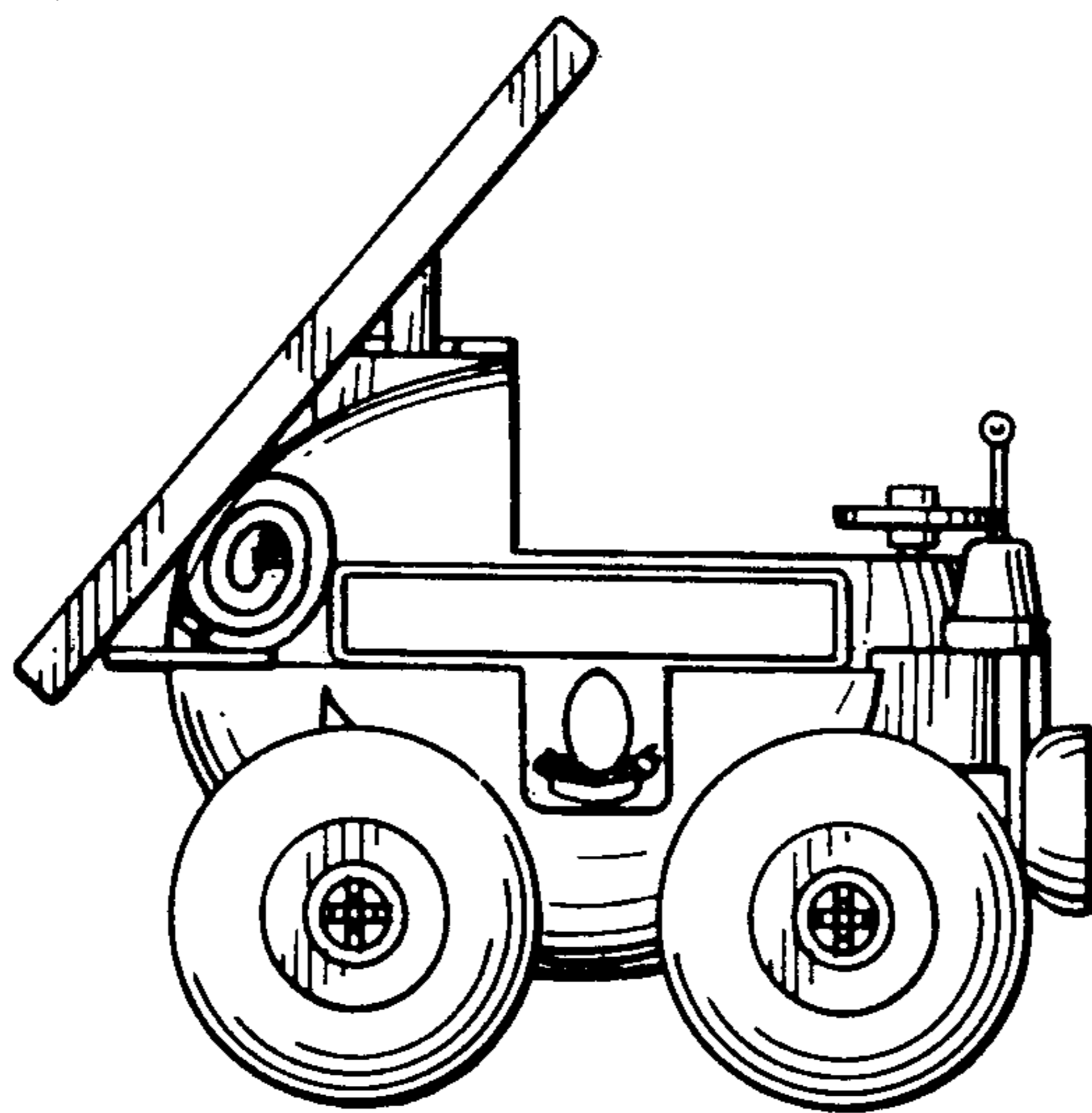
FIG. 4 is a rear elevational view thereof;

FIG. 5 is a bottom plan view thereof.

[51] Int. Cl. D21-01

[52] U.S. Cl. D21/133

[58] Field of Search D21/109, 128, 133, 134, D21/136, 137, 138, 139, 141, 64, 78; 280/87.01; 46/201, 202, 204, 206, 214, 221, 222, 223



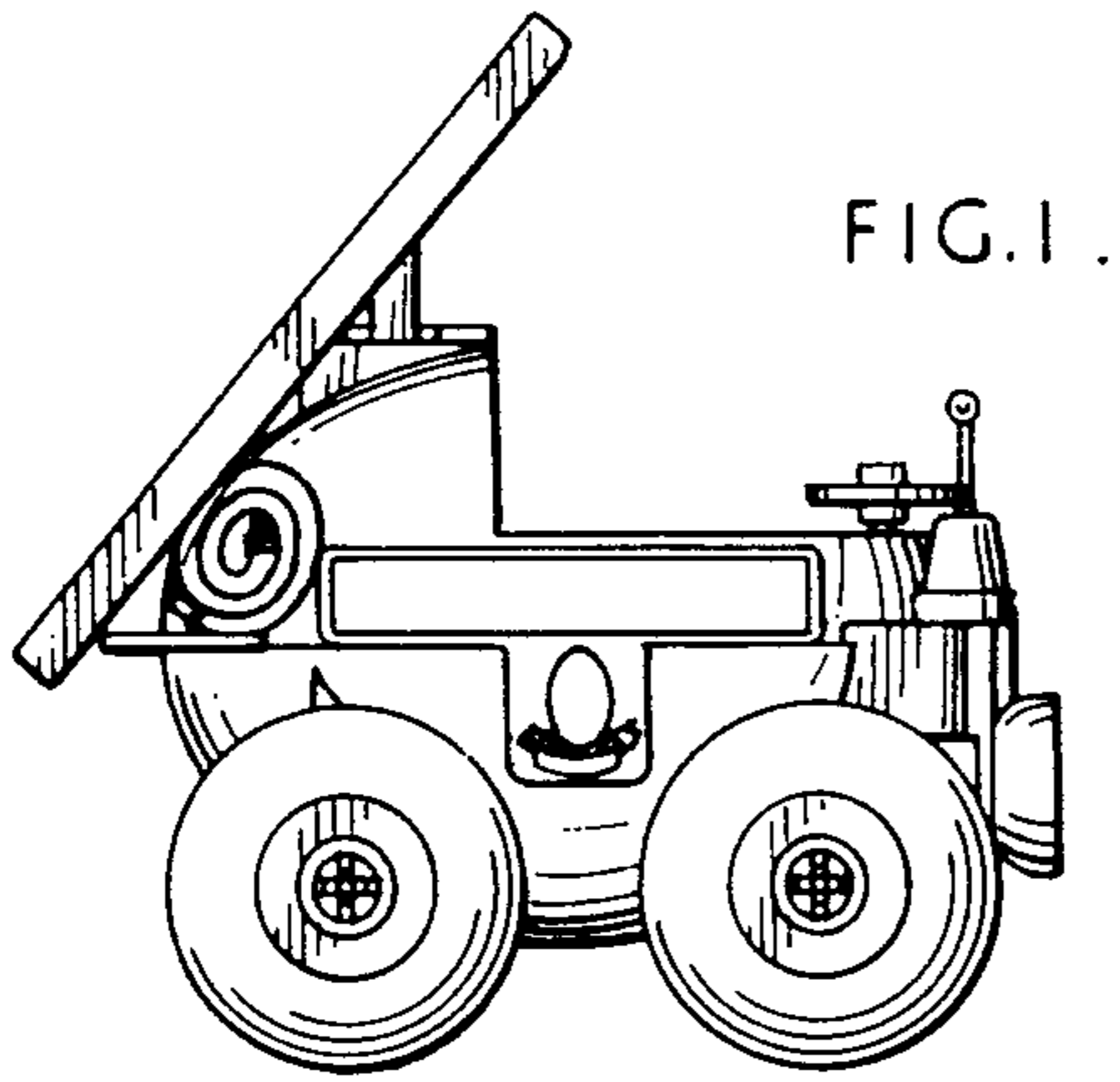


FIG. 1.

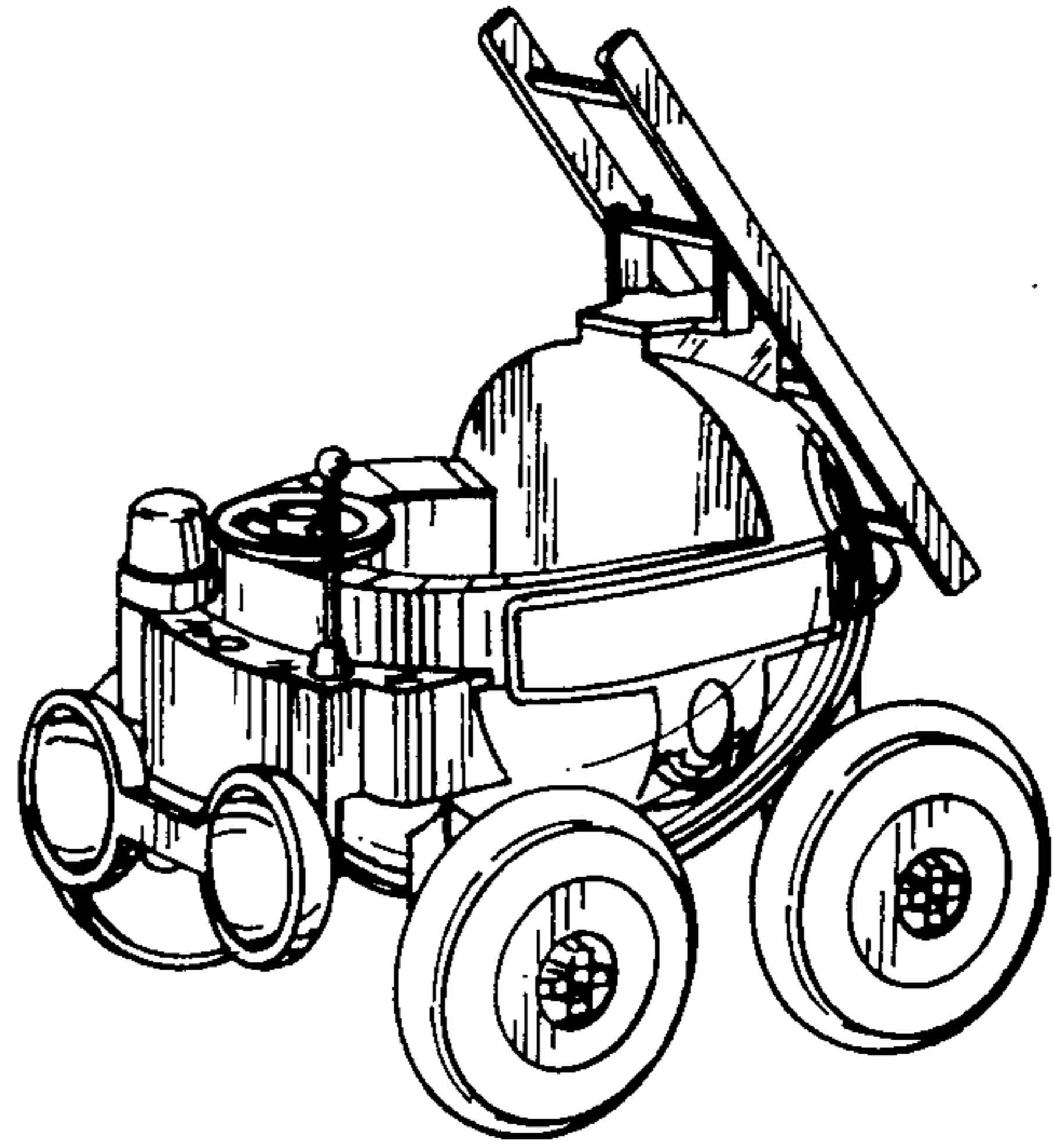


FIG. 2.

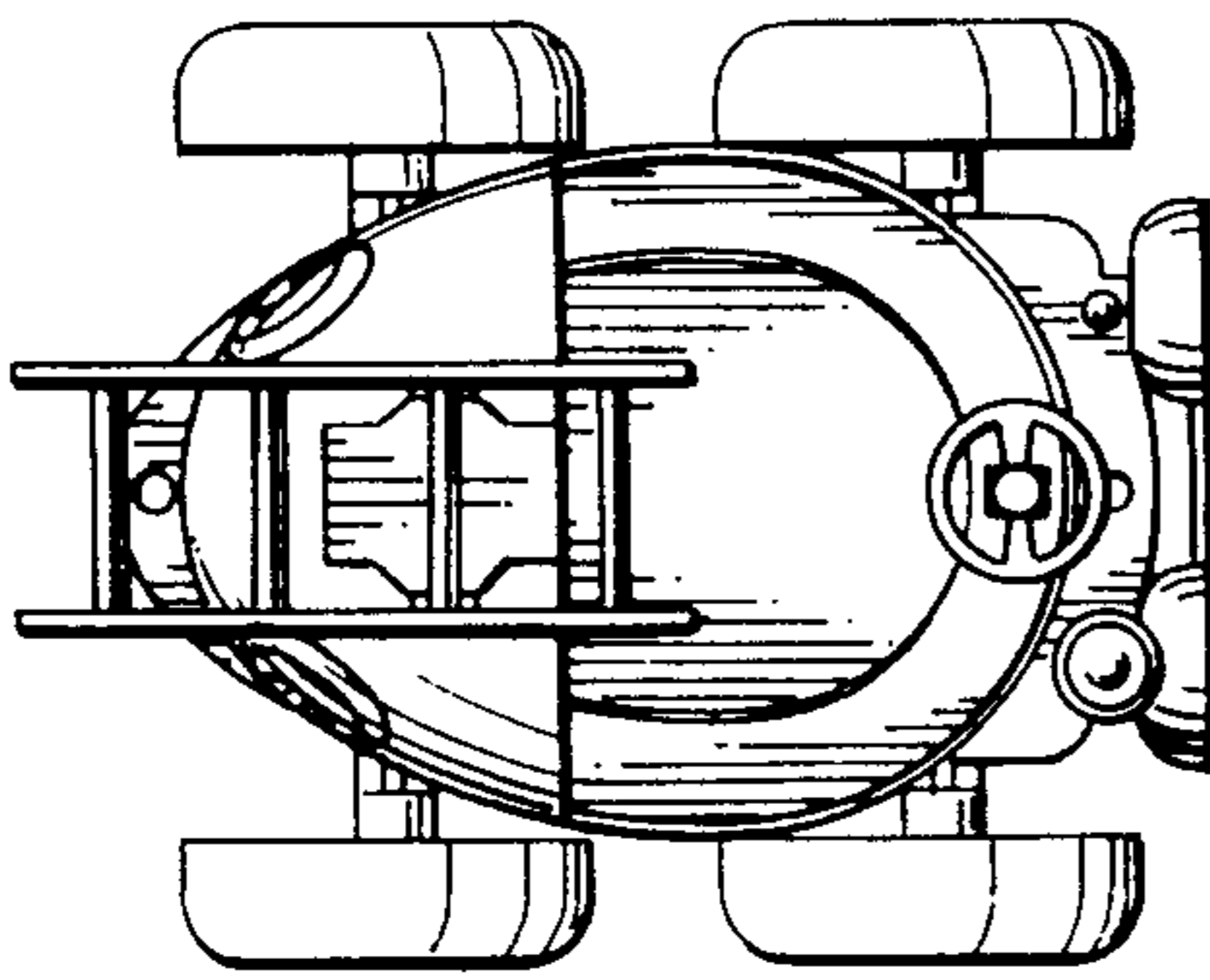


FIG. 3.

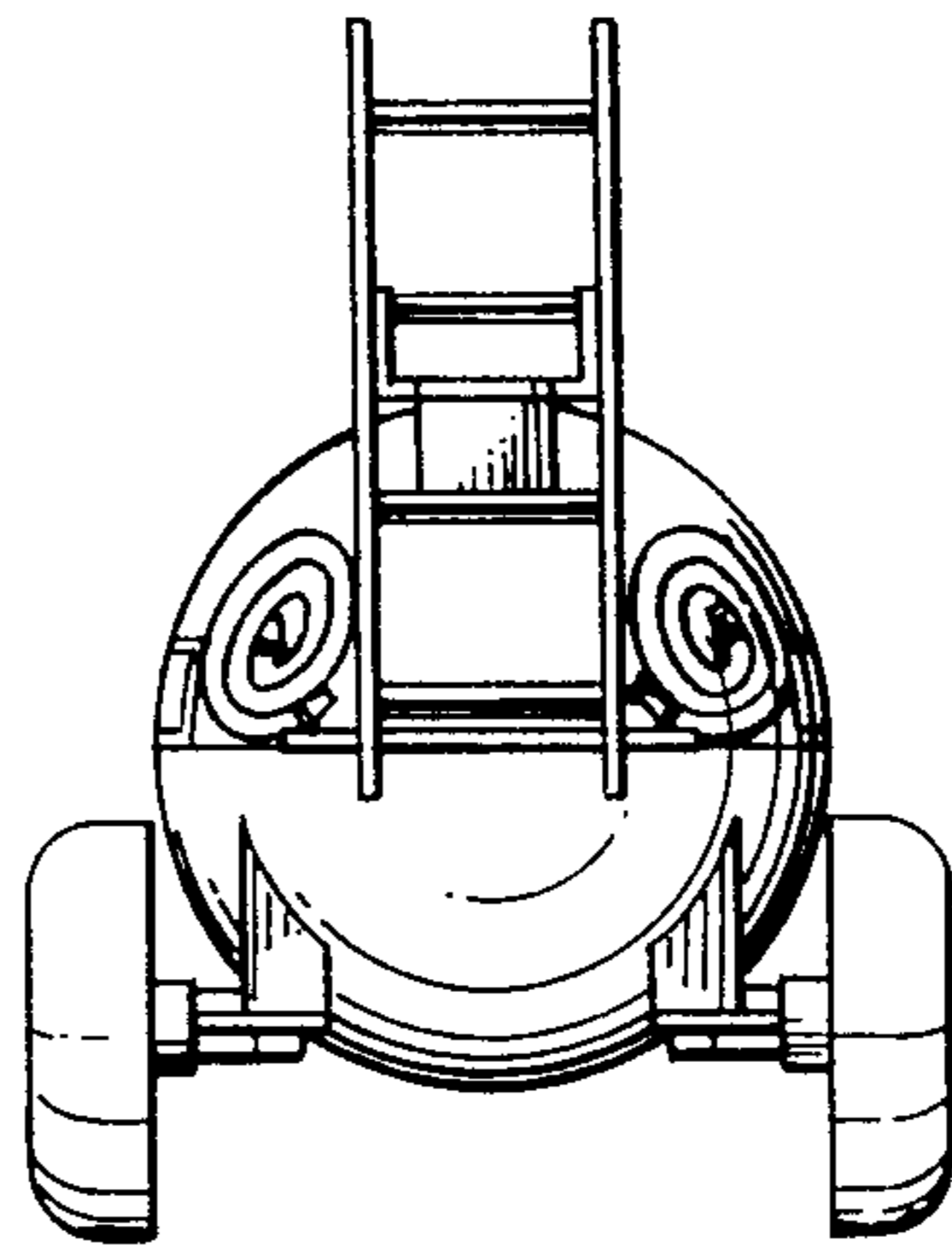


FIG. 4.

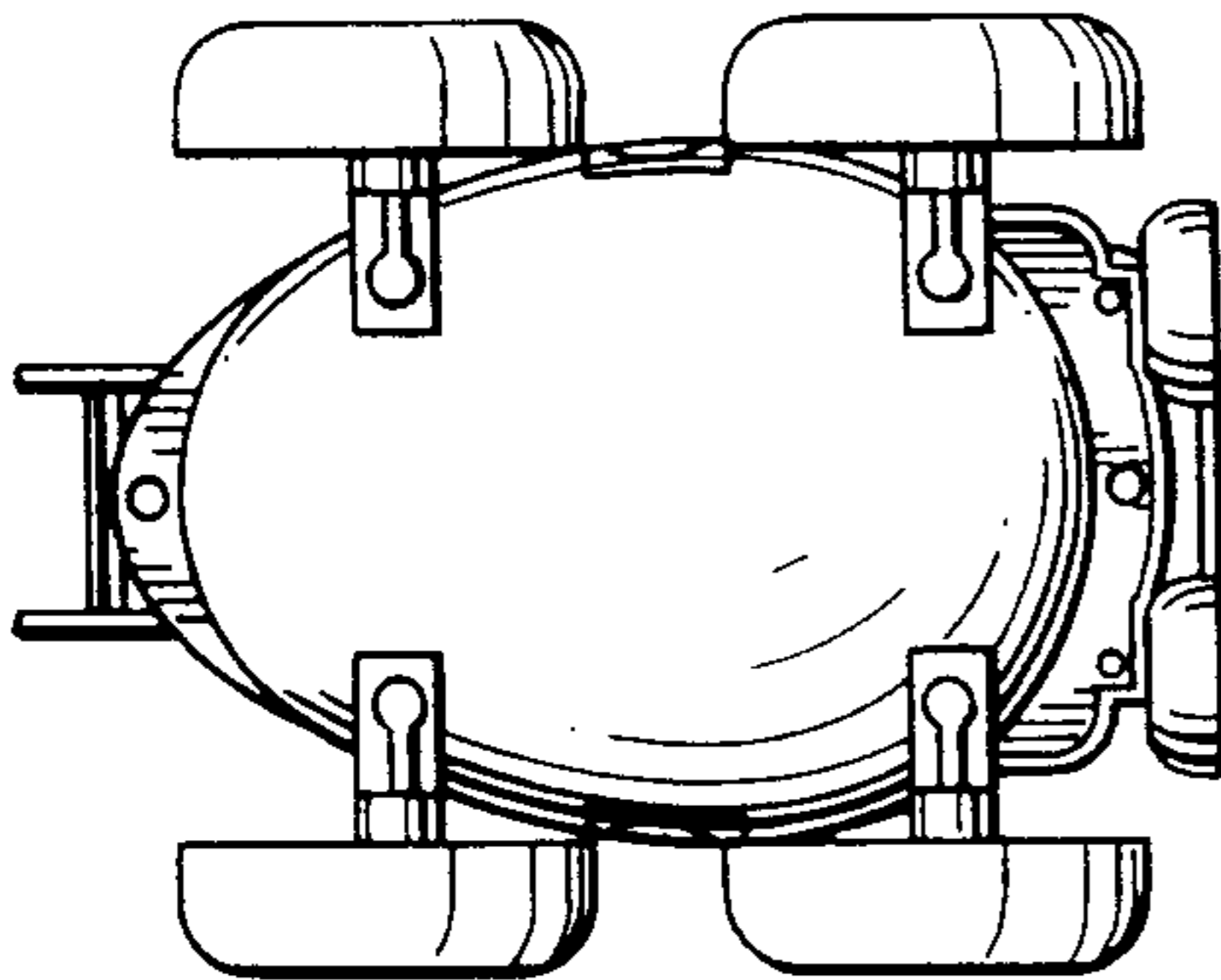


FIG. 5.