

[54] TOY CHAIN SAW

[75] Inventor: Ronald R. Klawitter, Hermann, Mo.

[73] Assignee: Steven Manufacturing Company

[**] Term: 14 Years

[21] Appl. No.: 896,919

[22] Filed: Apr. 17, 1978

[51] Int. Cl. D21-01

[52] U.S. Cl. D21/120; D8/65

[58] Field of Search D21/59, 109.64, 120, D21/124; D8/65; 46/1 R, 39, 40, 248, 174, 177; 30/381

[56] References Cited

U.S. PATENT DOCUMENTS

D. 237,352 10/1975 Shymkus D8/65
3,797,163 3/1974 McRoskey et al. 46/39

FOREIGN PATENT DOCUMENTS

674687 11/1963 Canada 46/39

OTHER PUBLICATIONS

Sears Craftsman Flier, 4/1973, p. 1, Oregon Chain #3414.

Primary Examiner—Charles A. Rademaker
Attorney, Agent, or Firm—Philip B. Polster

[57] CLAIM

The ornamental design for a toy chain saw, as shown.

DESCRIPTION

FIG. 1 is a perspective view of a toy chain saw showing my new design;

FIG. 2 is a rear elevational view thereof;

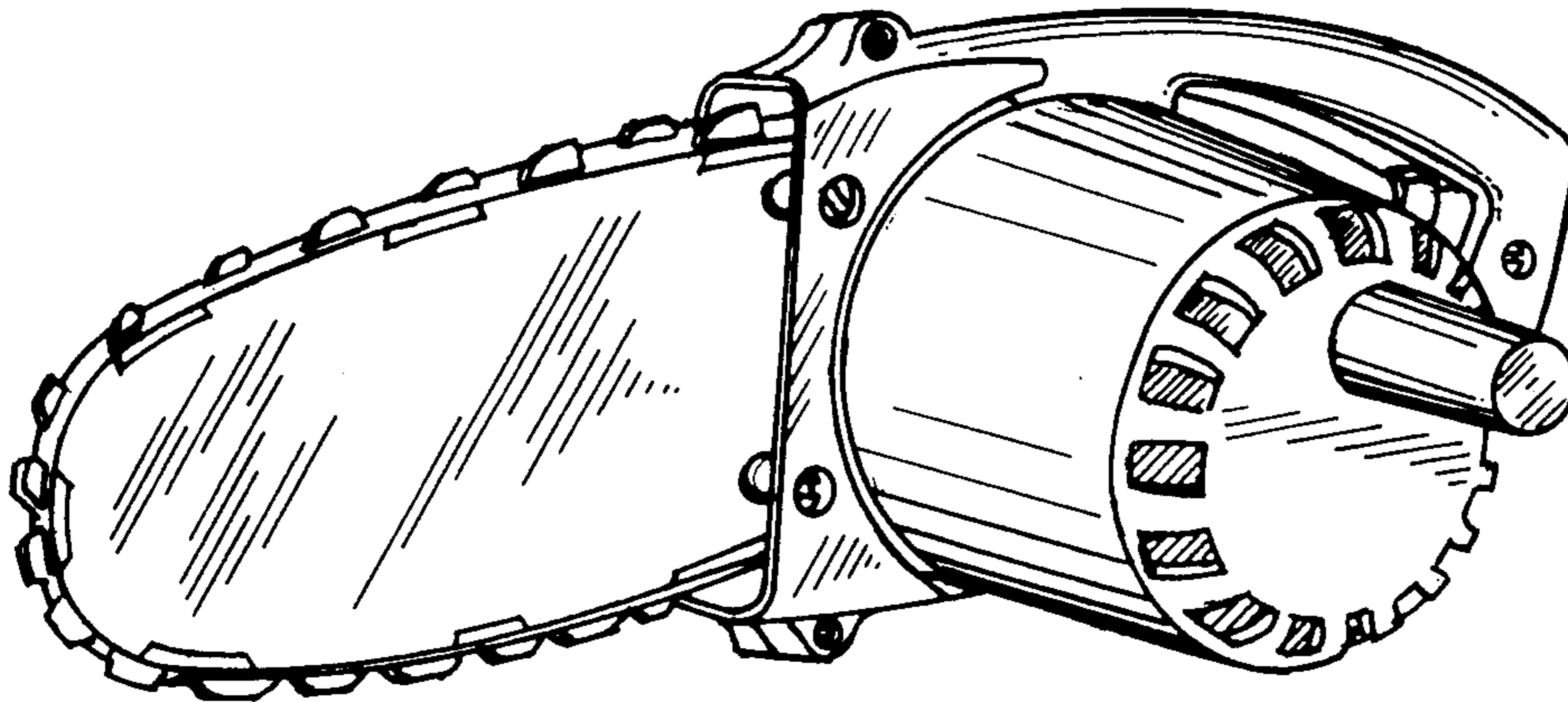
FIG. 3 is a right side elevational view thereof;

FIG. 4 is a left side elevational view thereof;

FIG. 5 is a top plan view thereof;

FIG. 6 is a bottom plan view thereof; and

FIG. 7 is a front elevational view thereof.



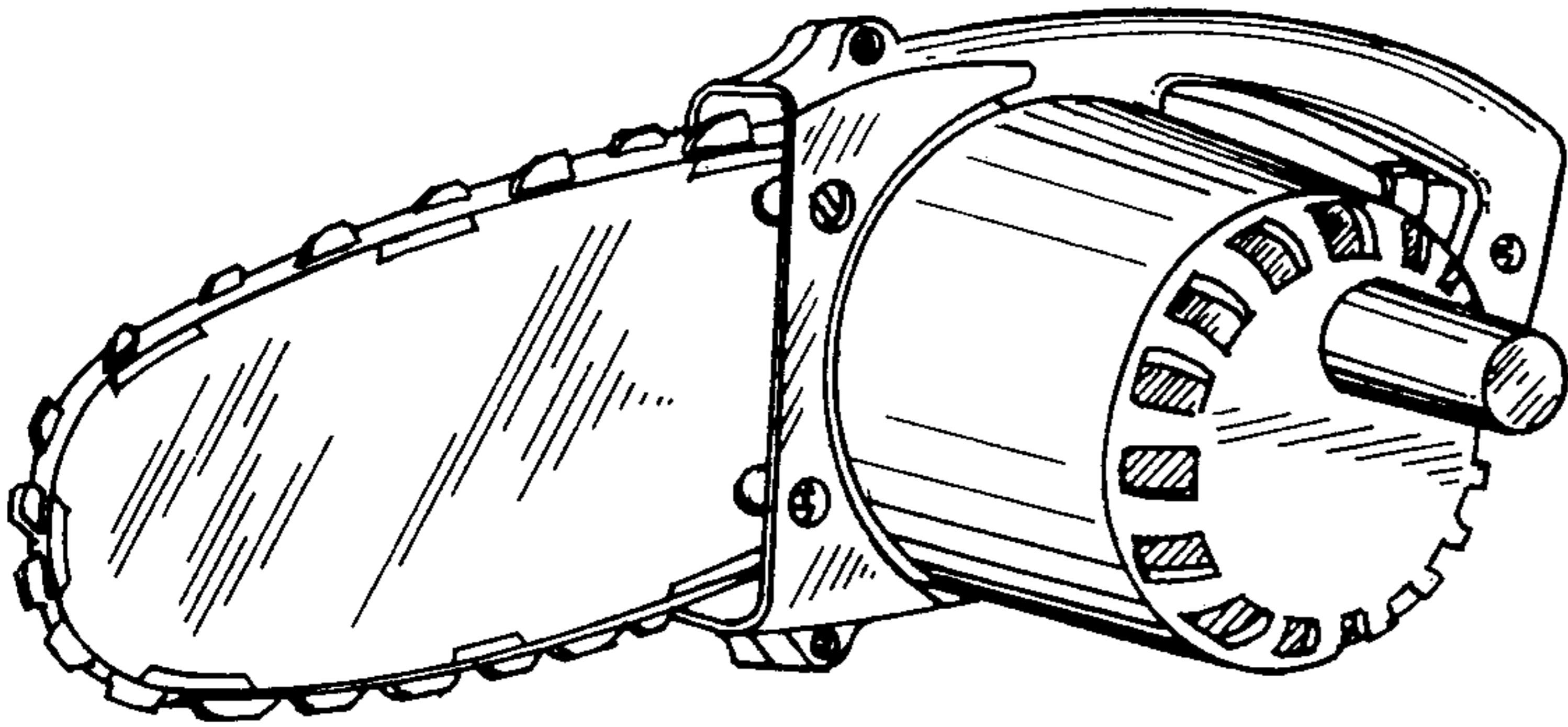


FIG. 1.

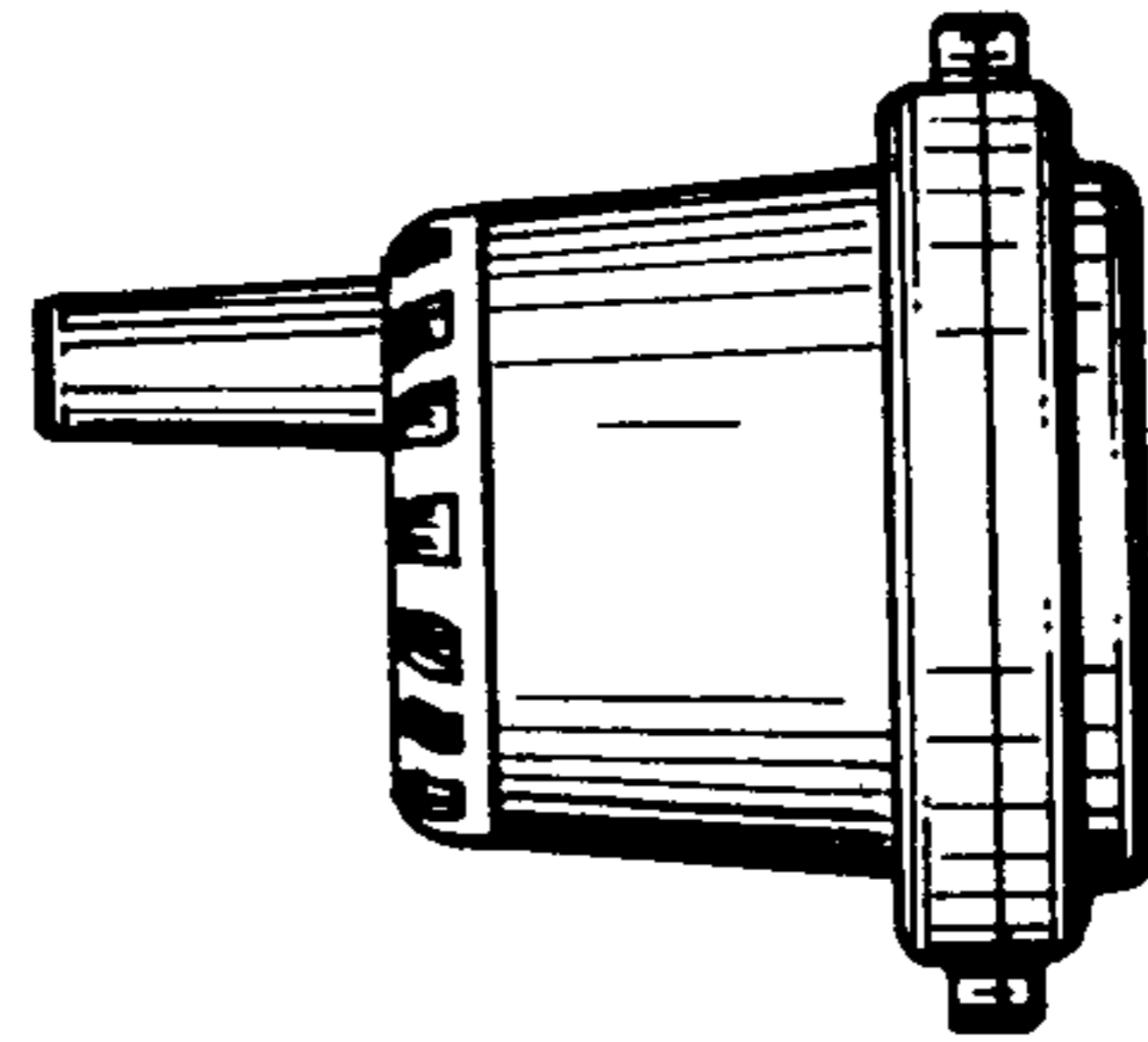


FIG. 2.

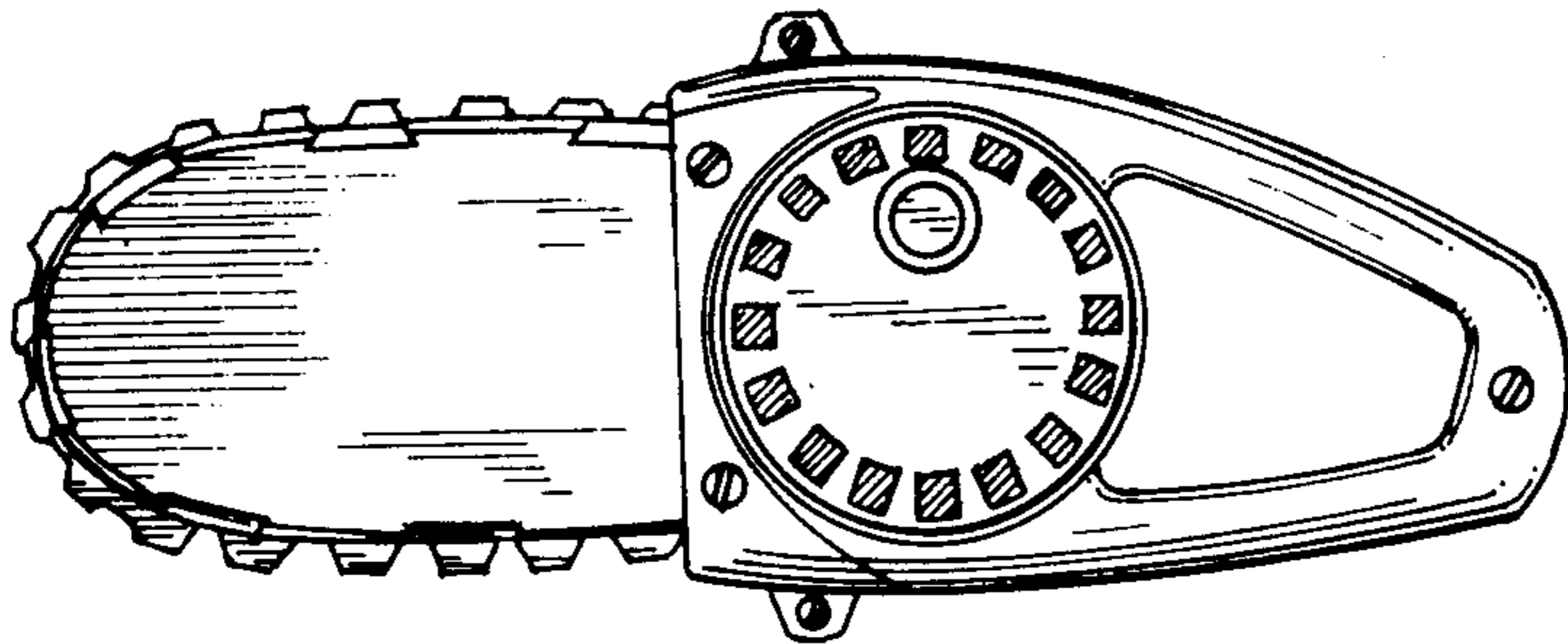


FIG. 3.

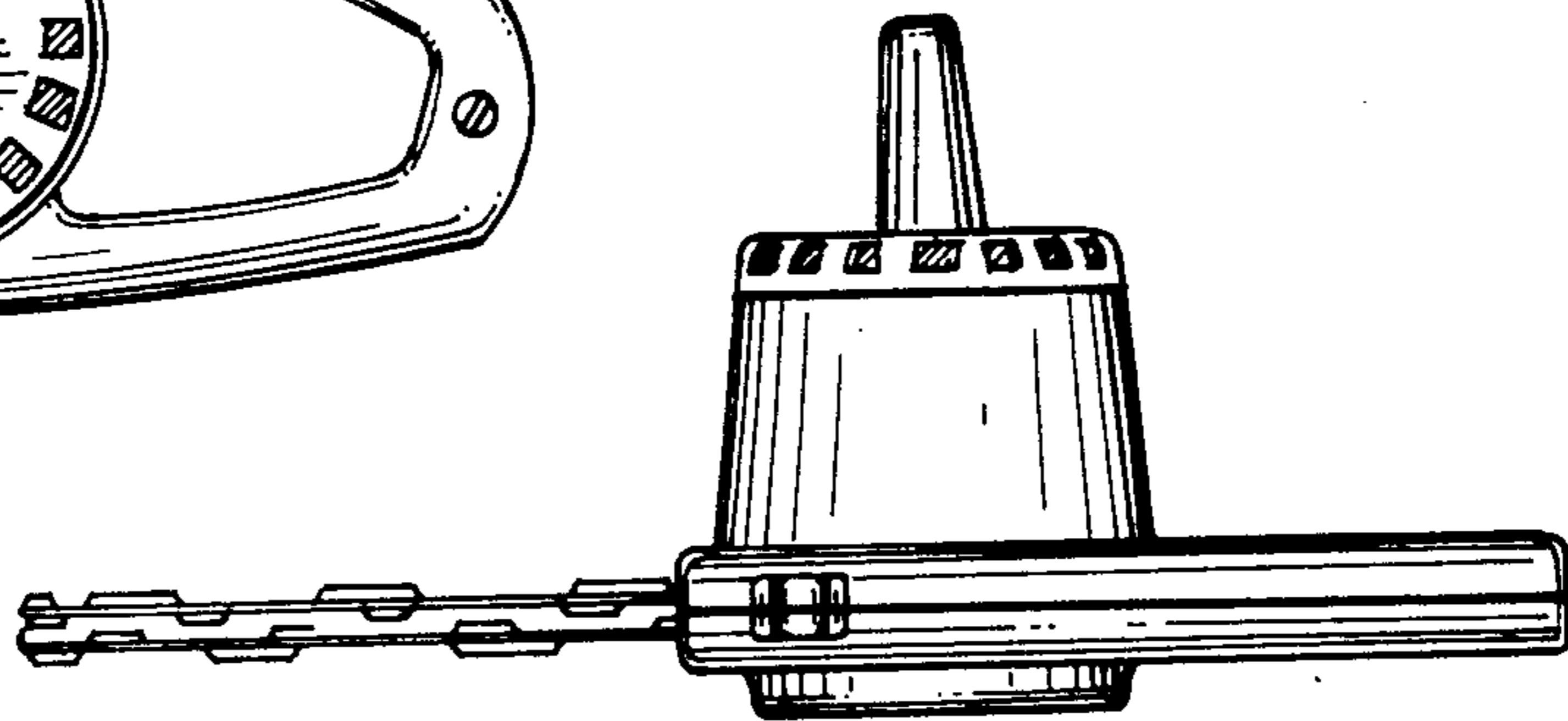


FIG. 6.

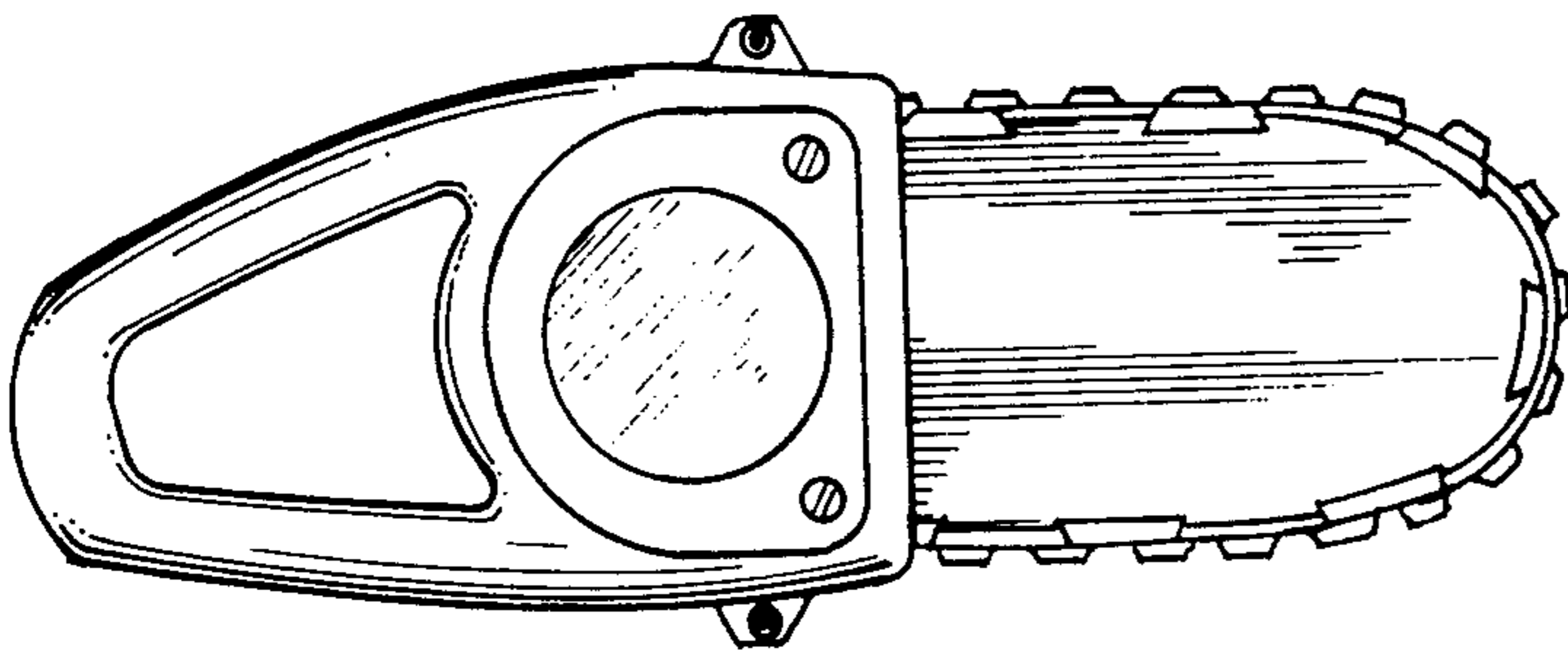


FIG. 4.

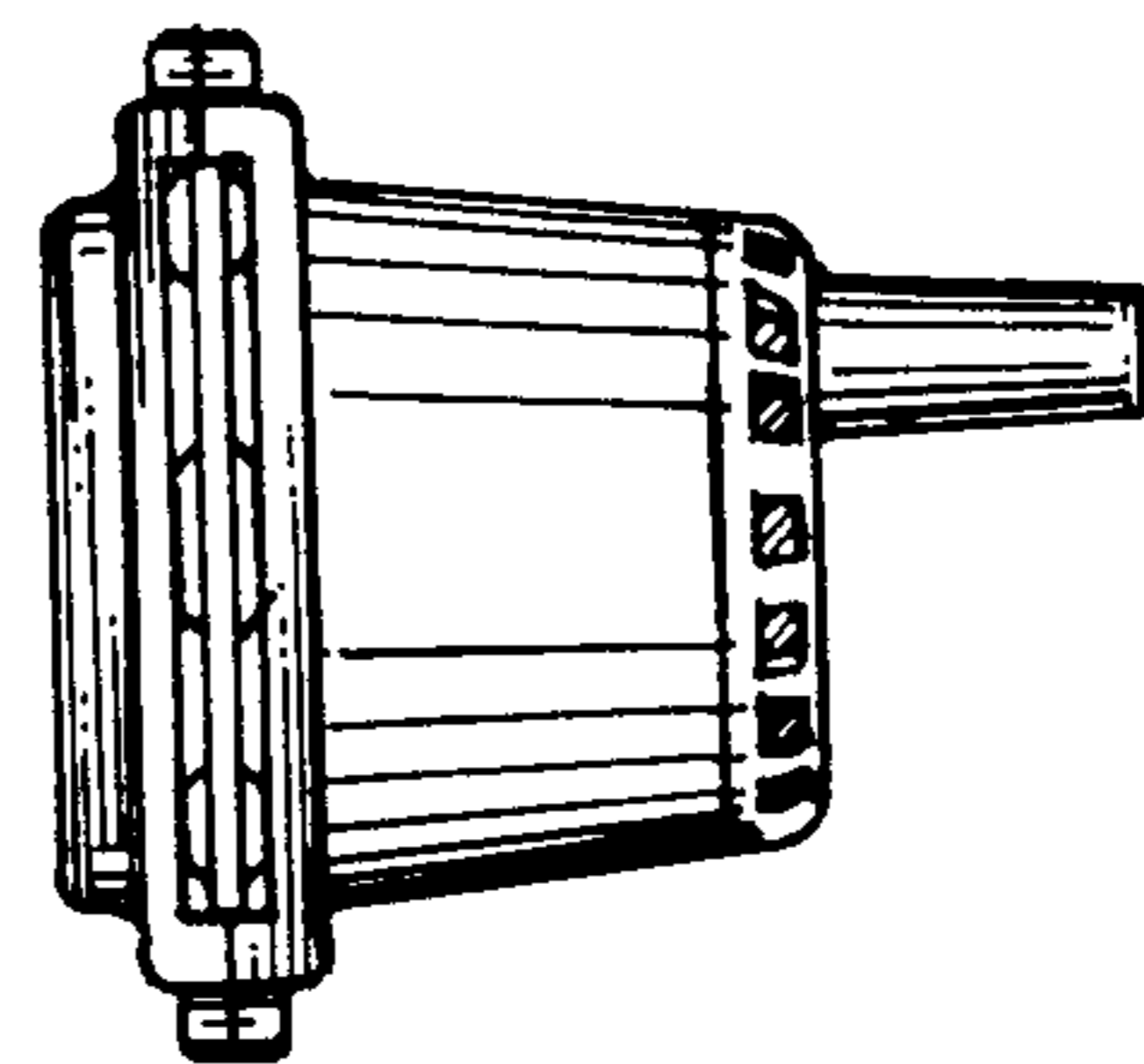


FIG. 7.

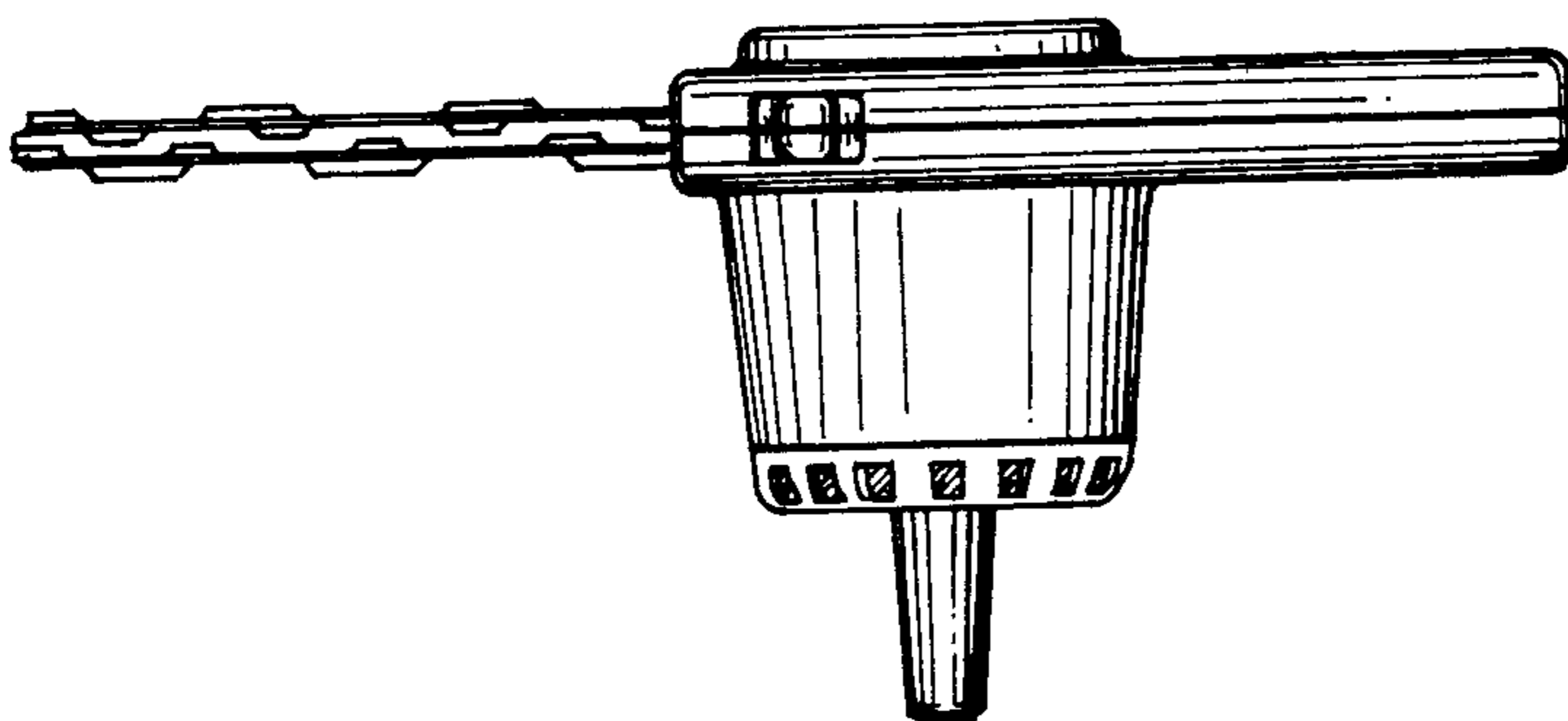


FIG. 5.