

[54] TOY DIGGER

[75] Inventor: Ingmar Gustafsson, Mariehamn, Finland

[73] Assignee: Plasto KB KY, Mariehamn, Finland

[**] Term: 14 Years

[21] Appl. No.: 890,087

[22] Filed: Mar. 23, 1978

[30] Foreign Application Priority Data

Mar. 7, 1978 [SE] Sweden 780651

[51] Int. Cl. D21-01

[52] U.S. Cl. D21/132

[58] Field of Search D21/128, 132, 134, 135, D21/141, 79; 46/201, 202, 204, 206, 207, 210, 211, 212, 214, 221, 222, 223; D12/1, 12, 14; D15/10, 25, 21

[56] References Cited

U.S. PATENT DOCUMENTS

D. 182,120	2/1958	Huebner	D21/134
D. 190,591	6/1961	Alvaney	D21/132
D. 238,955	2/1976	Peterson	D21/79
D. 243,267	2/1977	Breneman et al.	D21/132

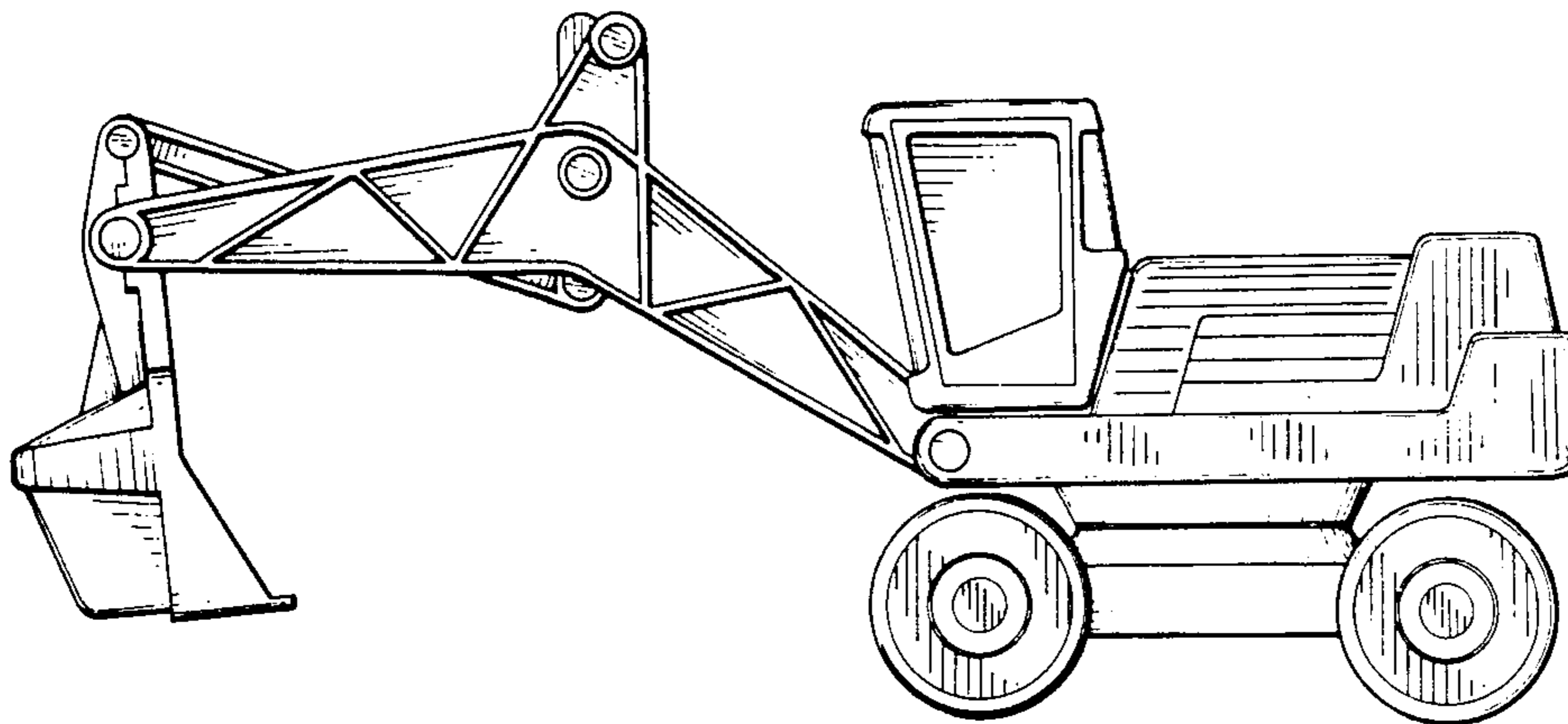
Primary Examiner—Charles A. Rademaker
Attorney, Agent, or Firm—Martin Fleit

[57] CLAIM

The ornamental design for toy digger, as shown and described.

DESCRIPTION

FIG. 1 is a side elevational view of a toy digger showing my new design;
FIG. 2 is another side elevational view thereof showing the forward members in an alternate position;
FIG. 3 is a top plan view thereof;
FIG. 4 is a front elevational view thereof;
FIG. 5 is a rear elevational view thereof;
FIG. 6 is a bottom plan view thereof; and
FIG. 7 is a side elevational view thereof from the opposite side to that shown in FIG. 1.



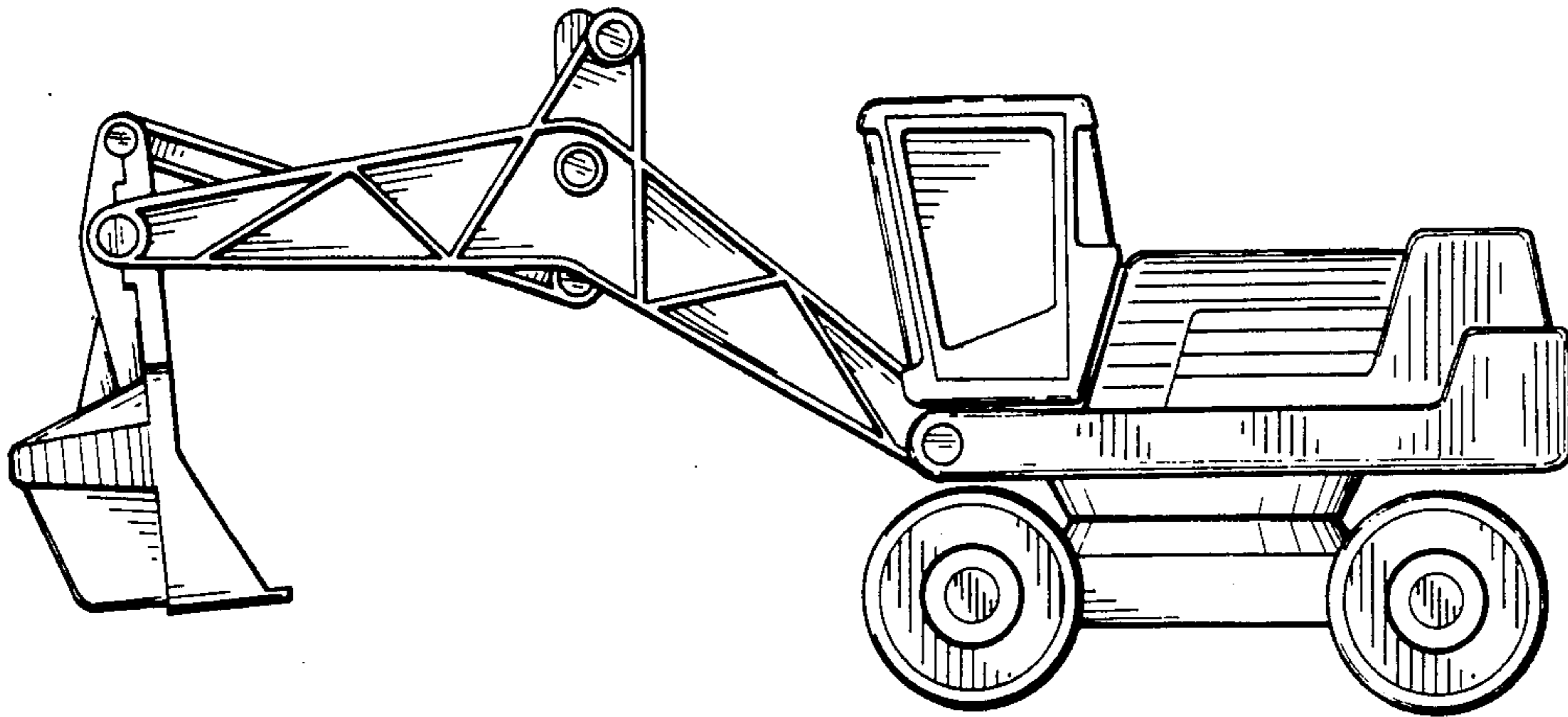


FIG. 1

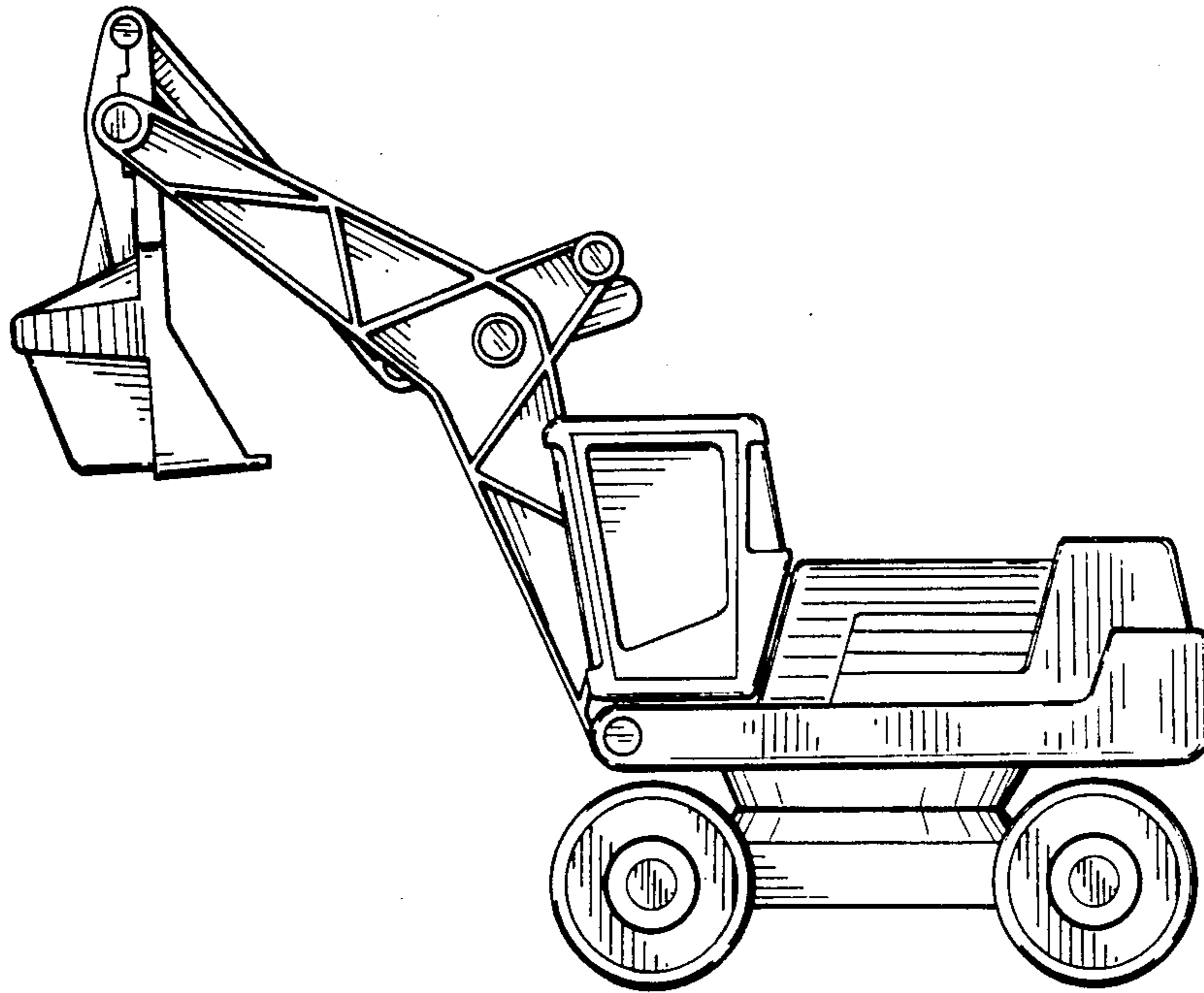


FIG. 2

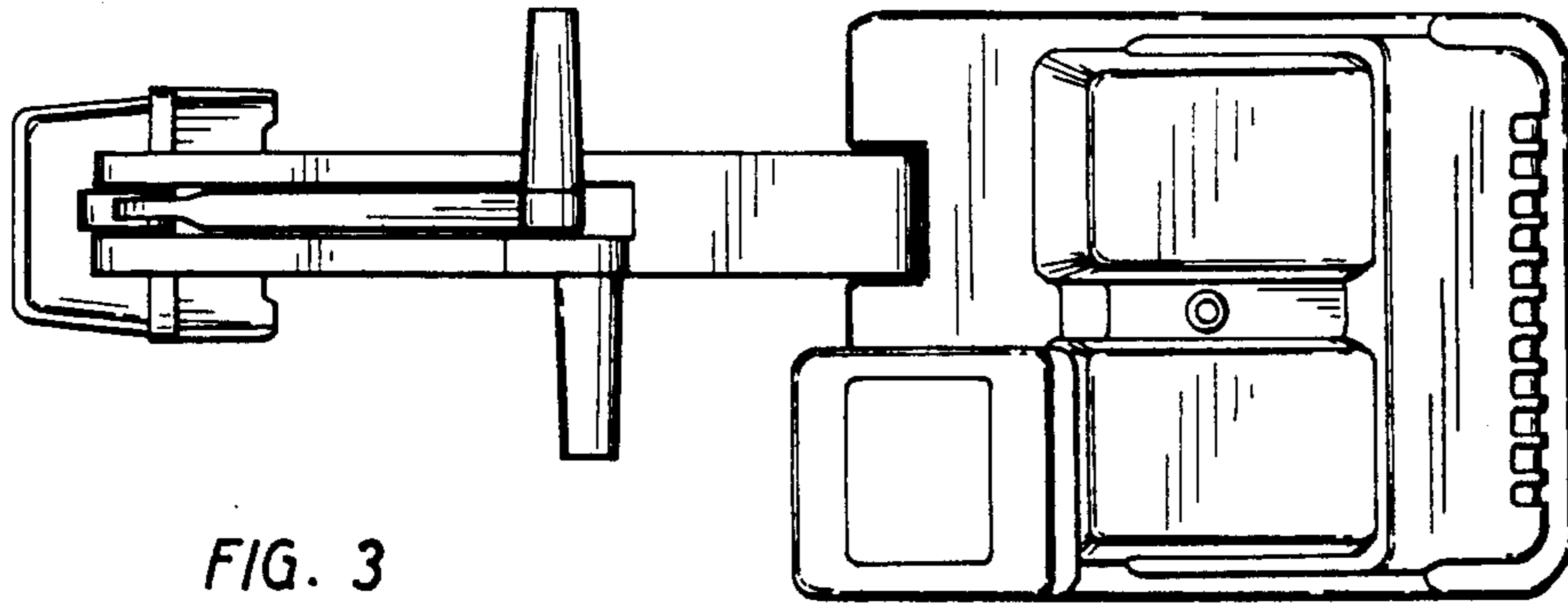


FIG. 3

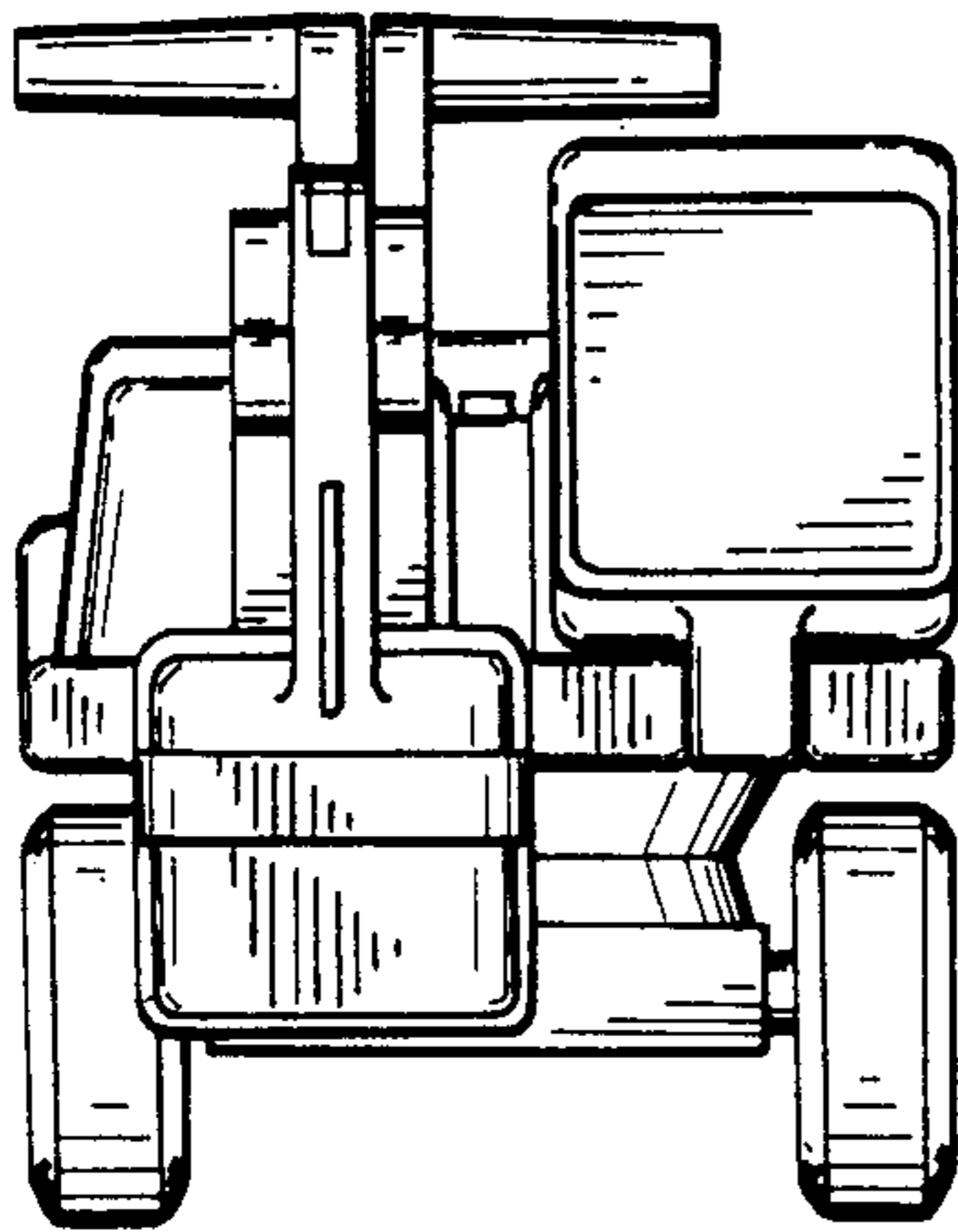


FIG. 4

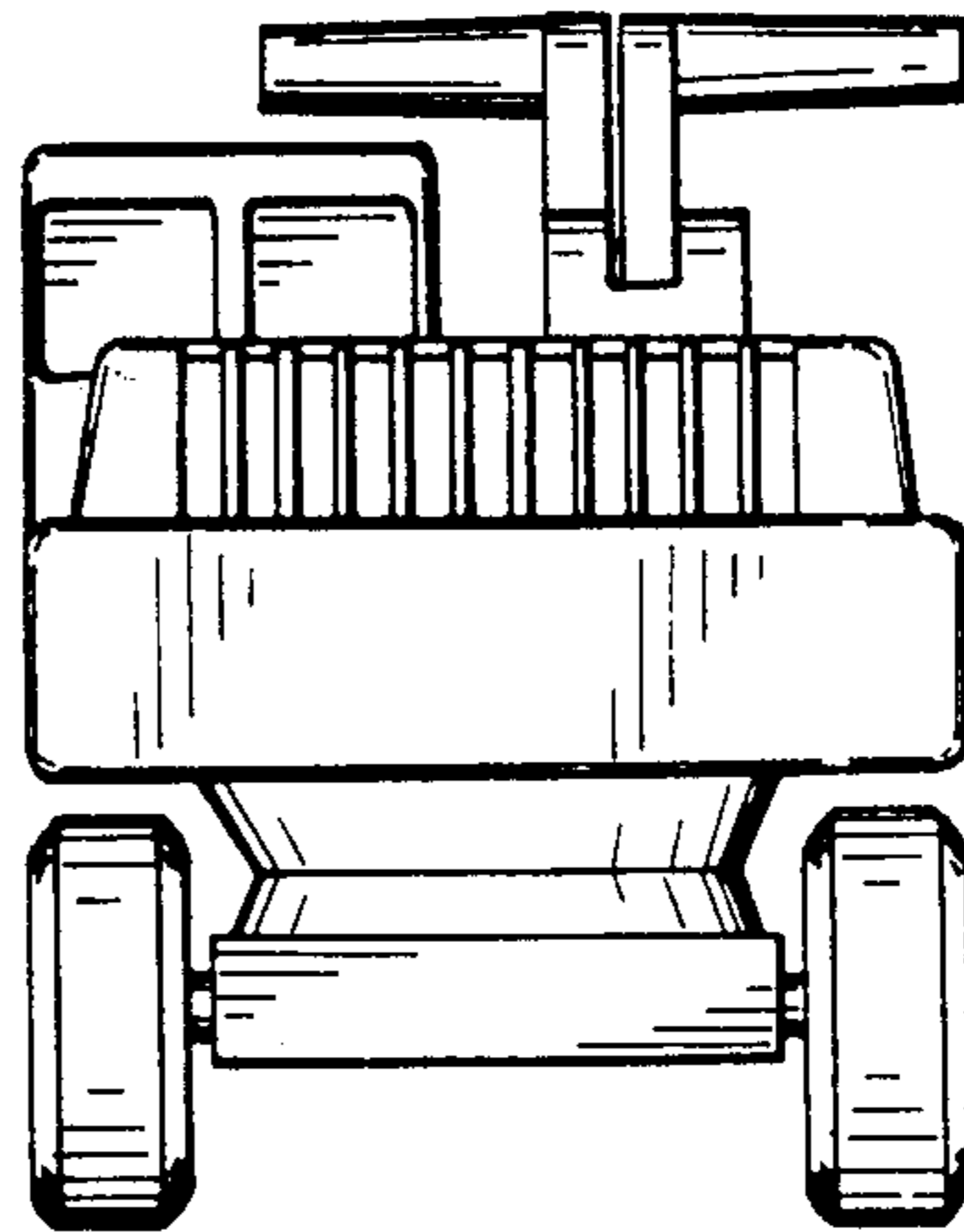


FIG. 5

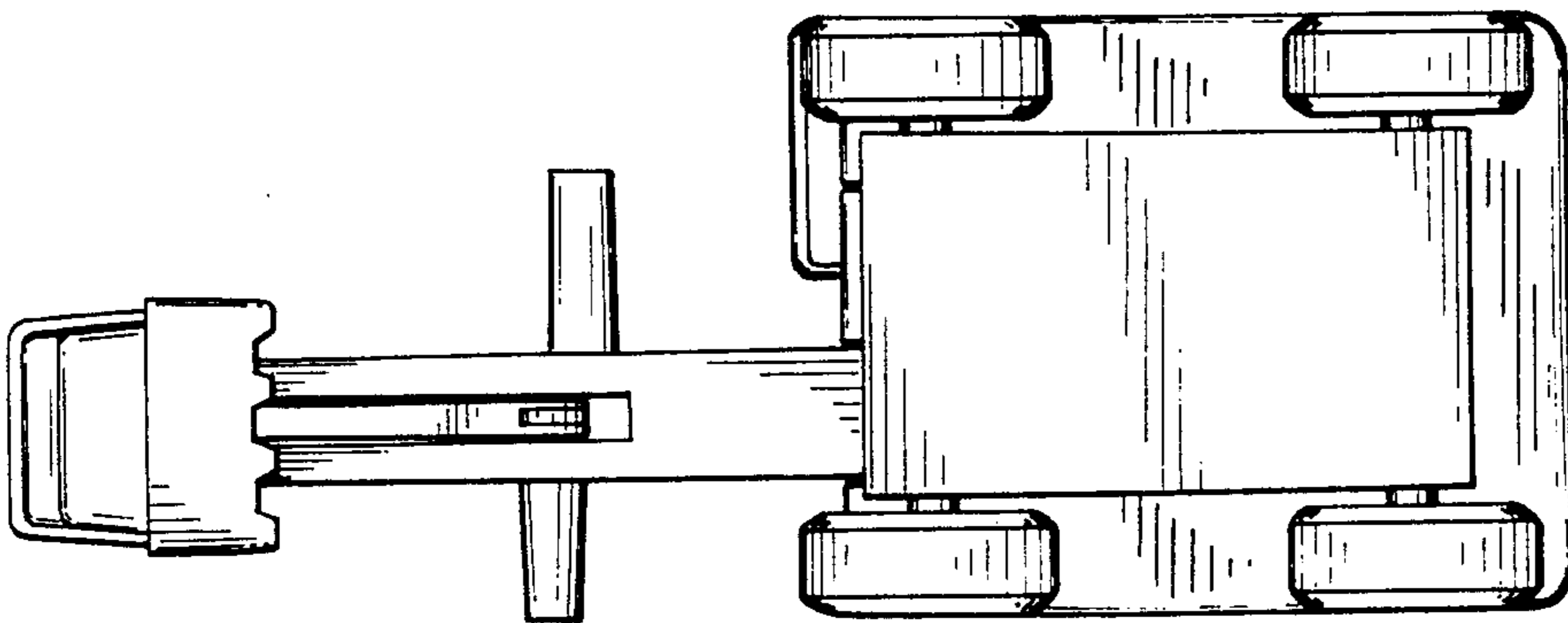


FIG. 6

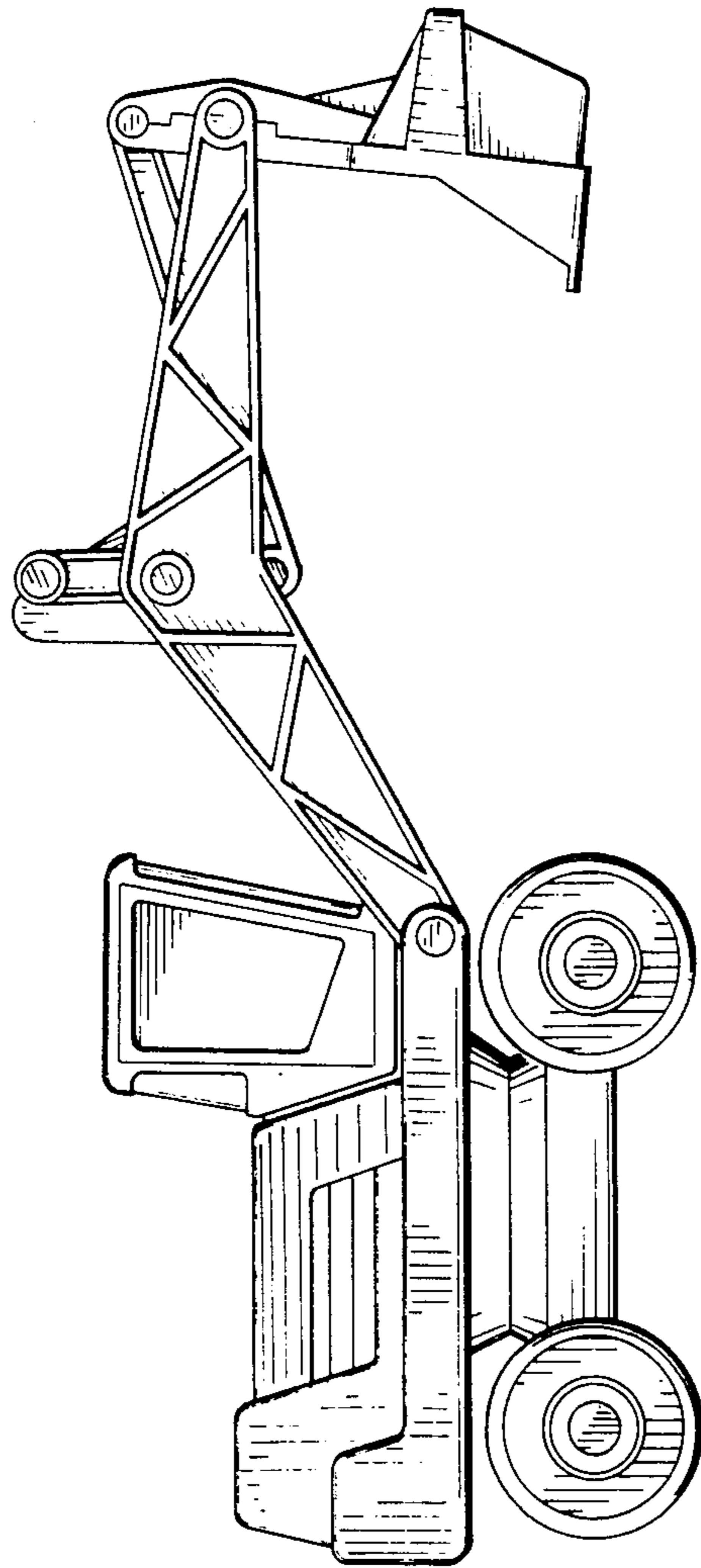


FIG. 7