

[54] **CARD FILE**

[75] Inventor: Mel Evenson, San Pedro, Calif.
 [73] Assignee: Eldon Industries, Inc., Hawthorne, Calif.

[**] Term: 14 Years

[21] Appl. No.: 913,370

[22] Filed: Jun. 7, 1978

[51] Int. Cl. D19-02

[52] U.S. Cl. D19/76

[58] Field of Search D19/75, 76, 78, 86,
 D19/92; D9/233, 234; 206/45.13, 45.2, 44 B;
 40/379; D3/30, 78

[56] **References Cited**

U.S. PATENT DOCUMENTS

D. 200,180	1/1965	Korzaan	206/45.2
D. 250,343	11/1978	Macowski	D19/76
1,403,869	1/1922	Reid	206/45.2
2,131,093	9/1938	Cage	206/44 B
2,219,034	10/1940	Logan	206/44 B
2,503,611	4/1950	Bruen	206/44 B
2,807,355	9/1957	Shiffman	206/45.2

2,860,767	11/1958	Shiffman	206/45.13
3,127,987	4/1964	Young	206/45.2
3,127,988	4/1964	Young	206/45.2
3,783,999	1/1974	Smith	206/45.13

Primary Examiner—George P. Word
 Attorney, Agent, or Firm—Edward D. O'Brian

[57] **CLAIM**

The ornamental design for a card file, as shown and described.

DESCRIPTION

FIG. 1 is a front elevational view of a card file showing my new design;
 FIG. 2 is a right side elevational view, the opposite side being a mirror image thereof;
 FIG. 3 is a top plan view thereof;
 FIG. 4 is a rear elevational view thereof;
 FIG. 5 is a bottom plan view thereof;
 FIG. 6 is a perspective view of the card file in an open position;
 FIG. 7 is a perspective view of a modified form of the card file shown in an open position; and
 FIG. 8 is a bottom plan view thereof in a closed position.

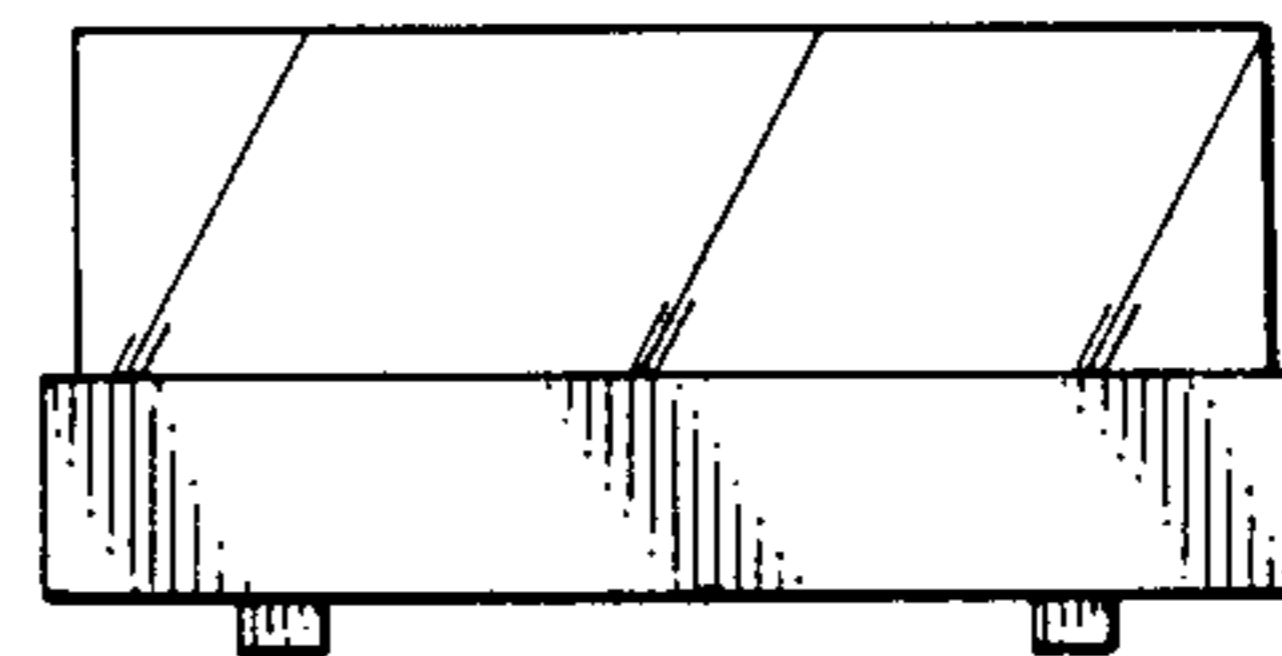
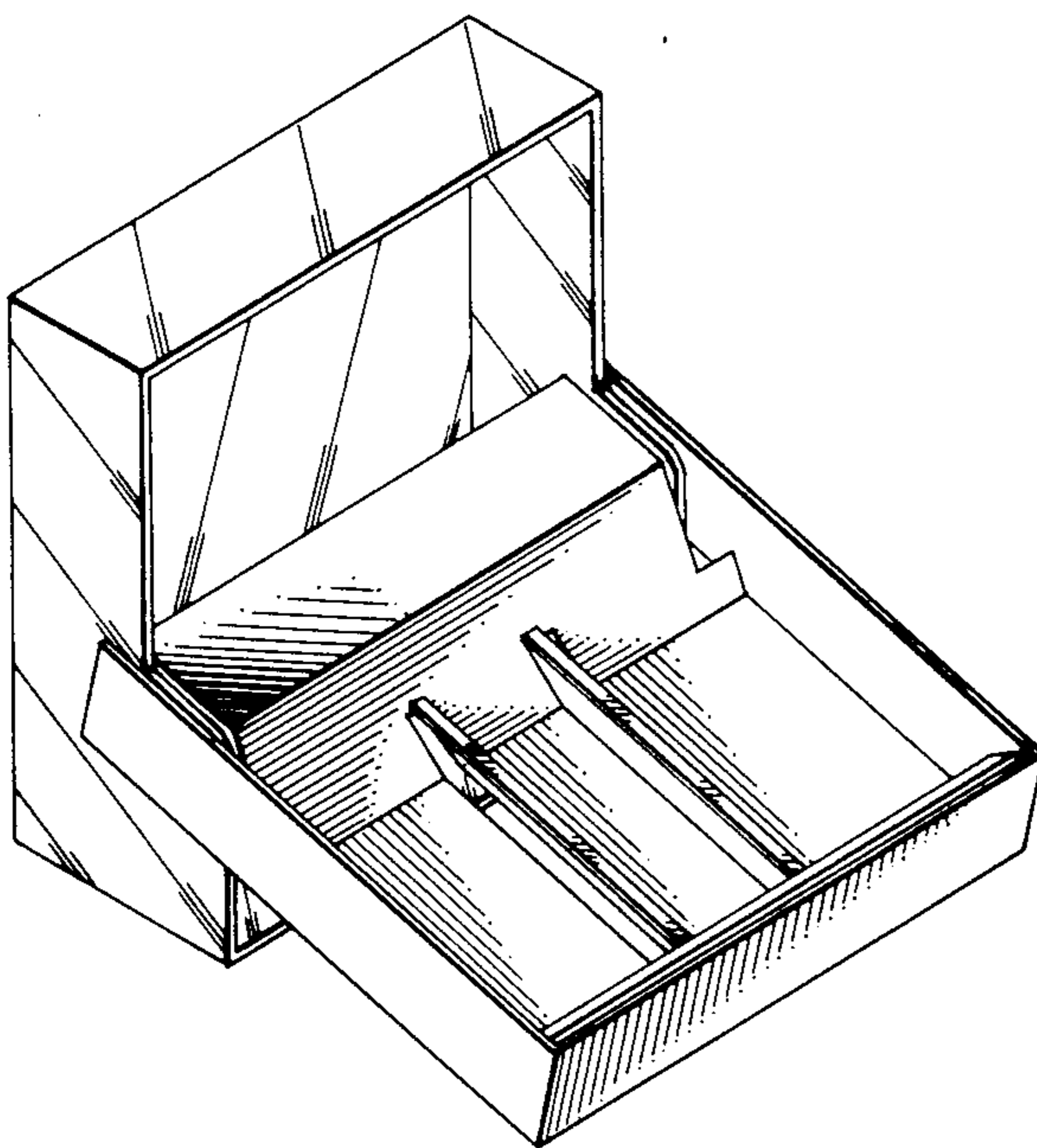


FIG. 1.

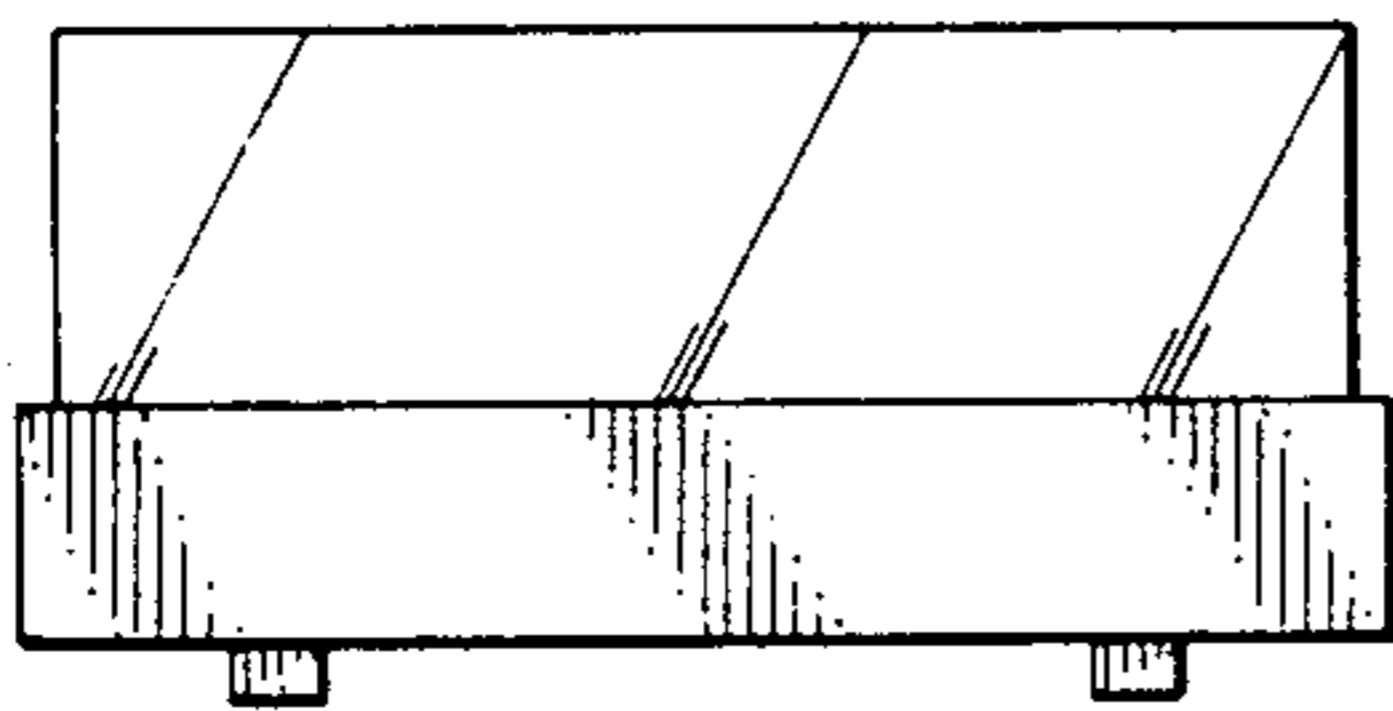


FIG. 2.

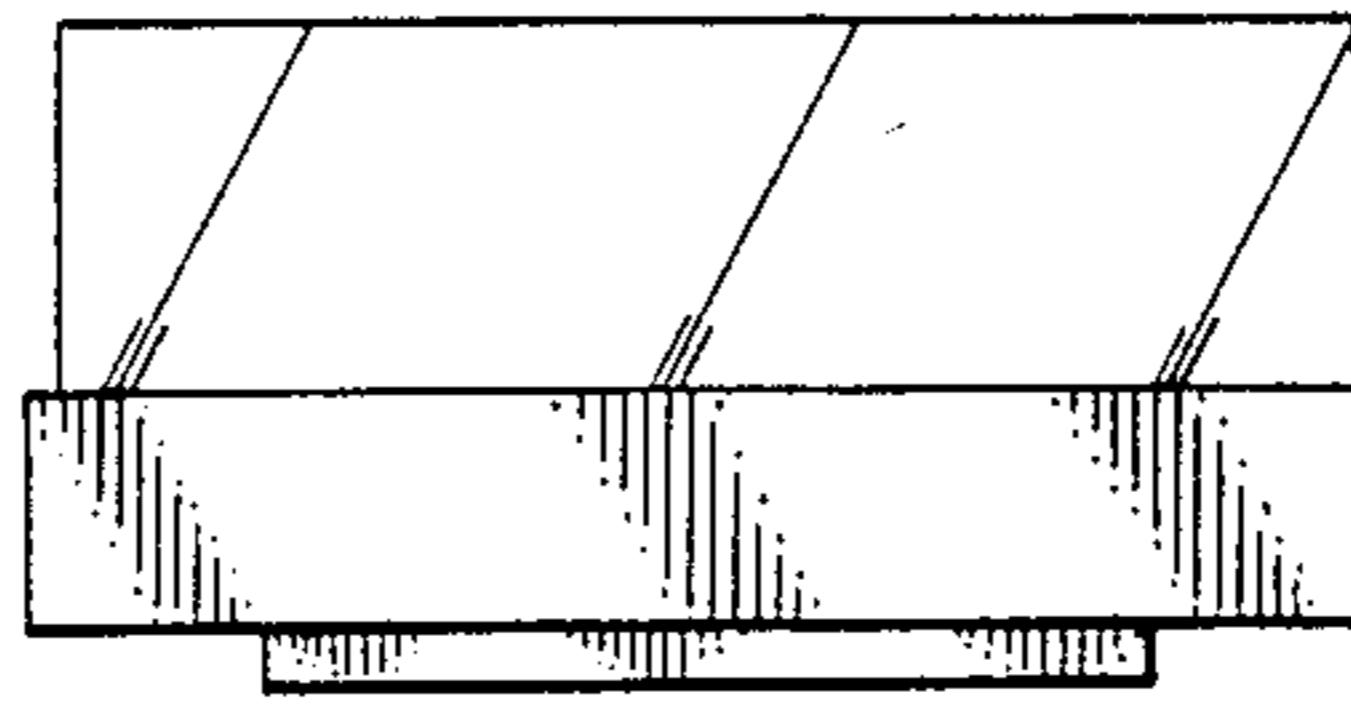


FIG. 3.

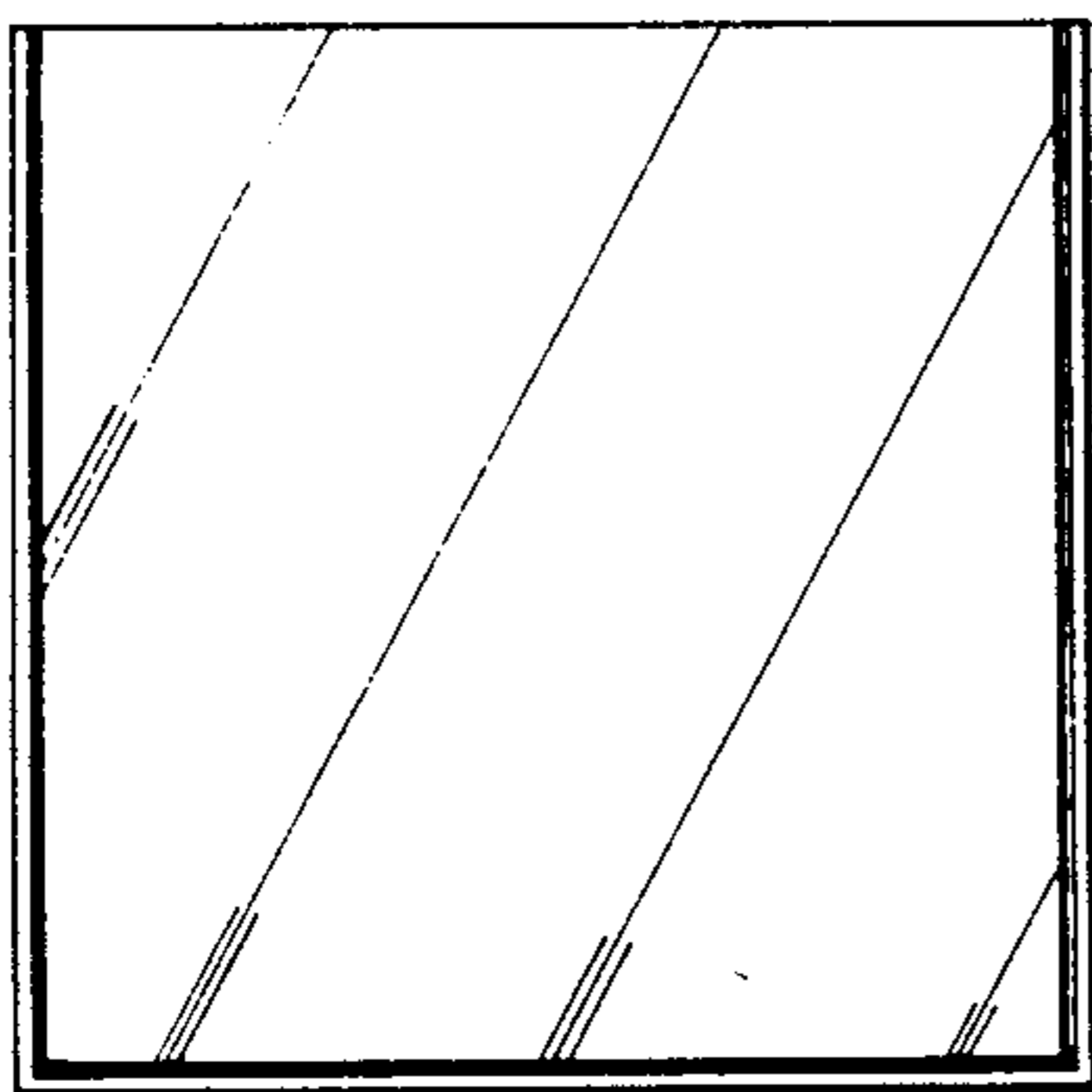


FIG. 4.

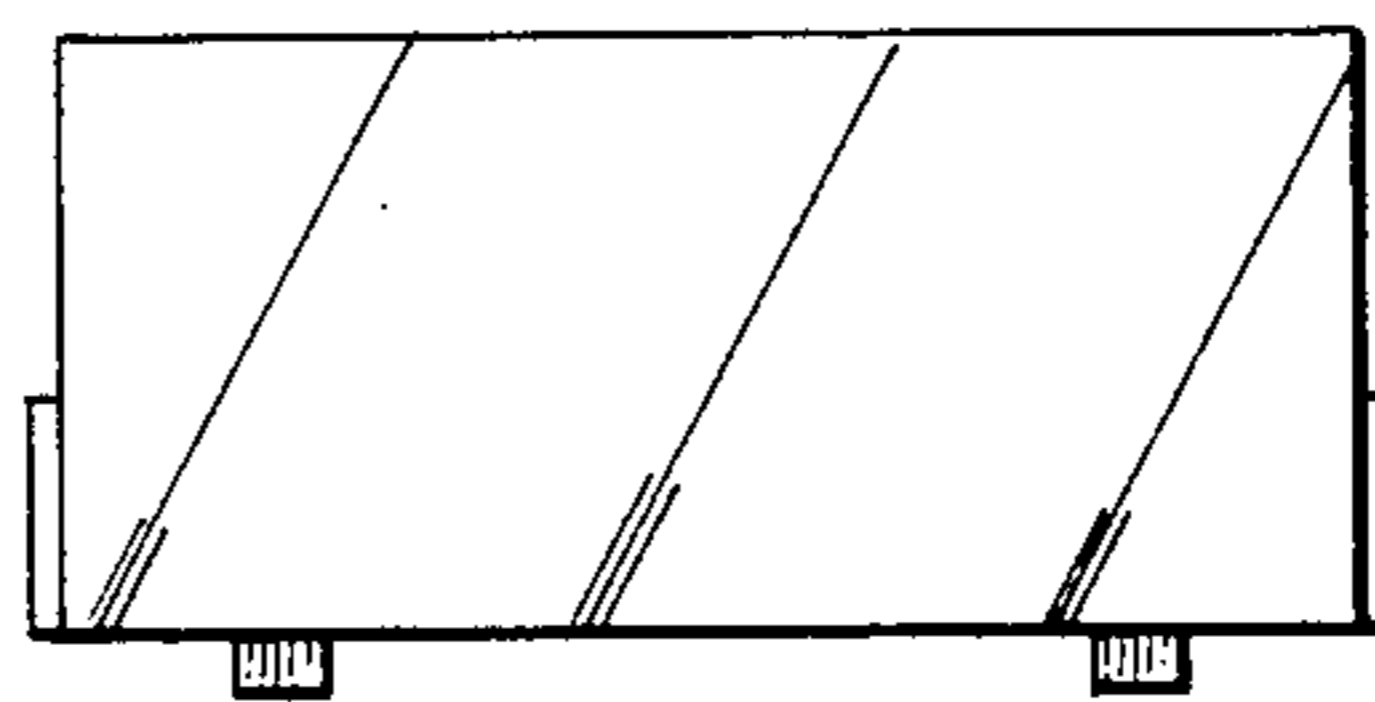


FIG. 5.

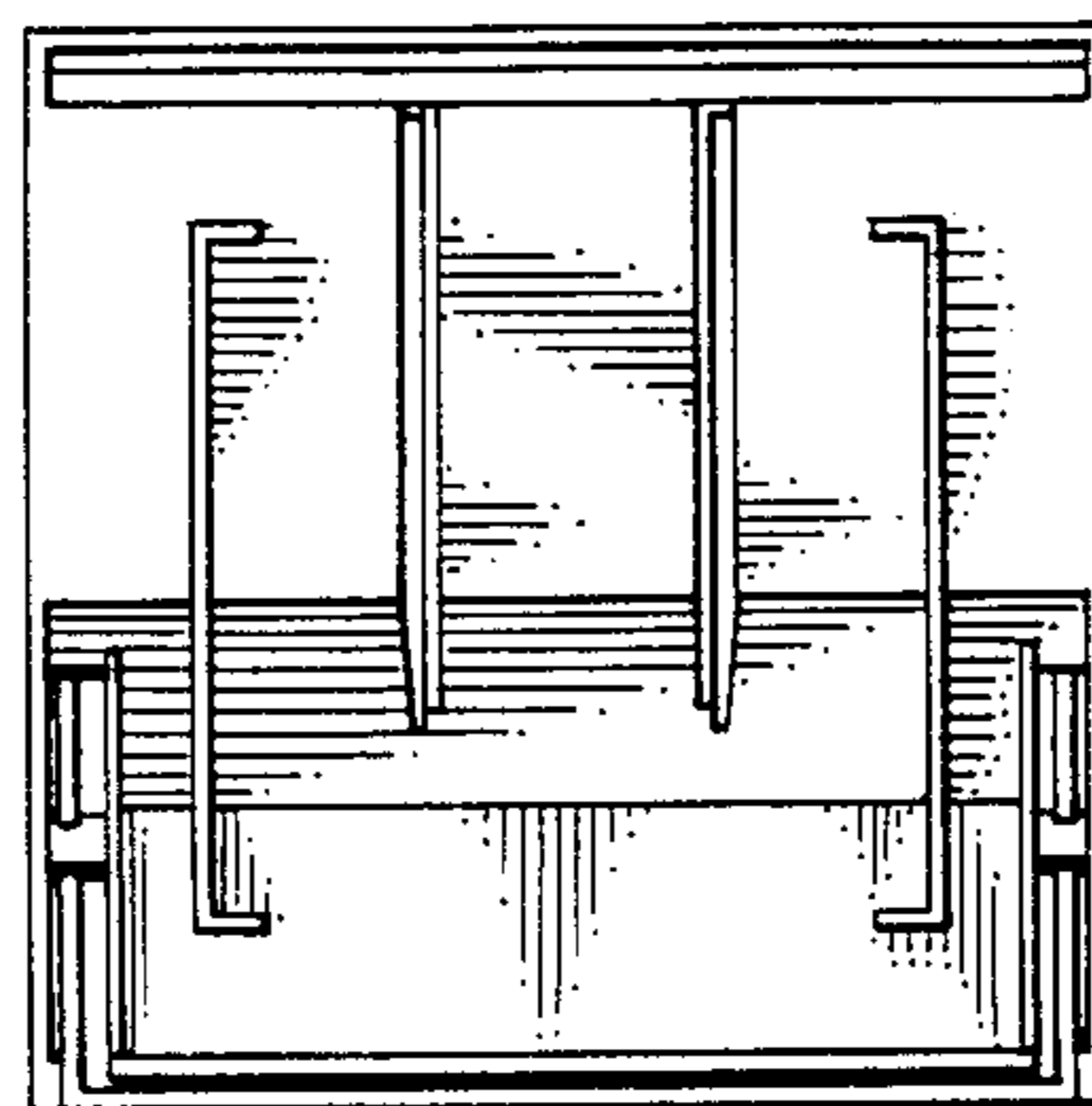
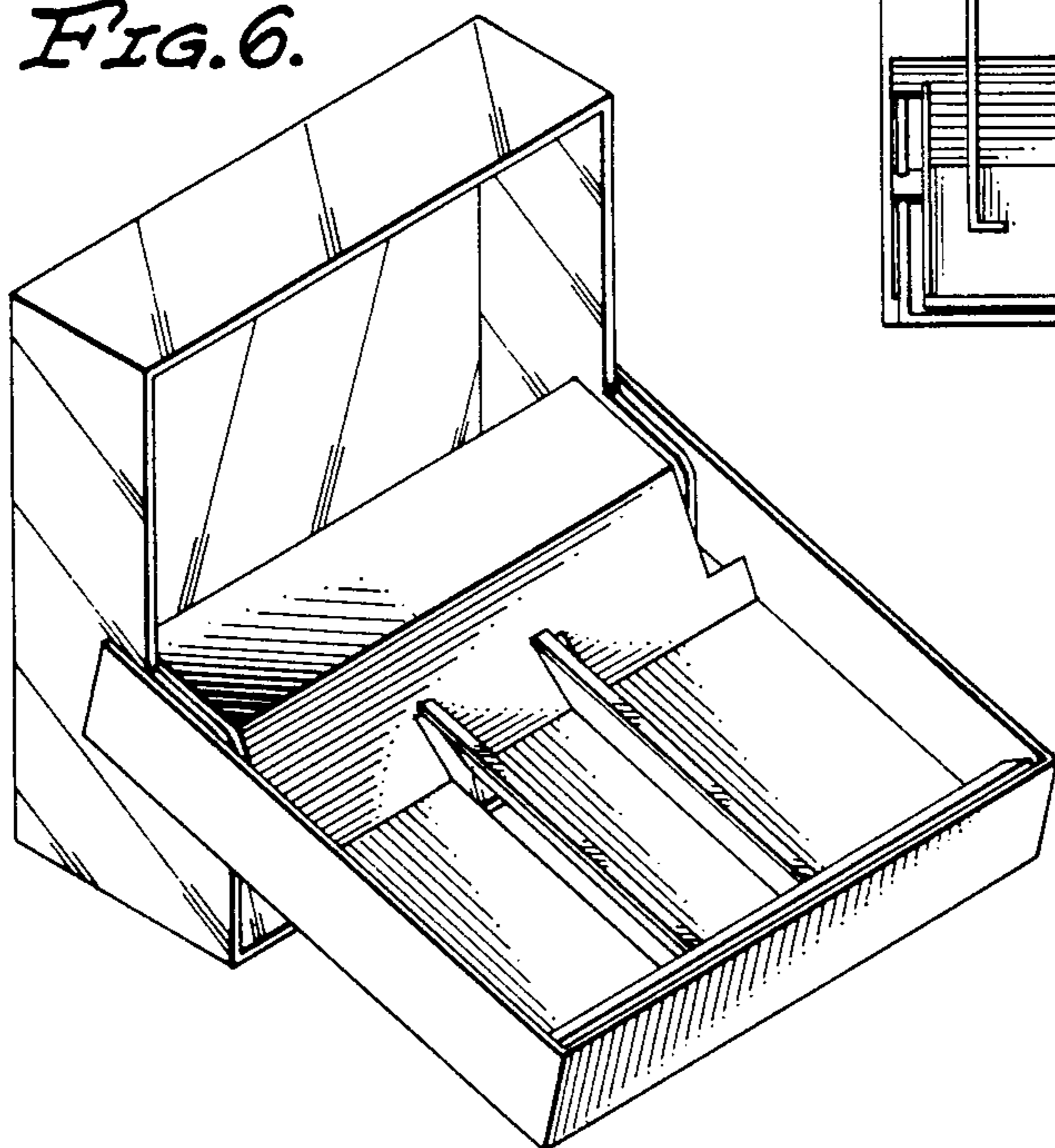


FIG. 6.



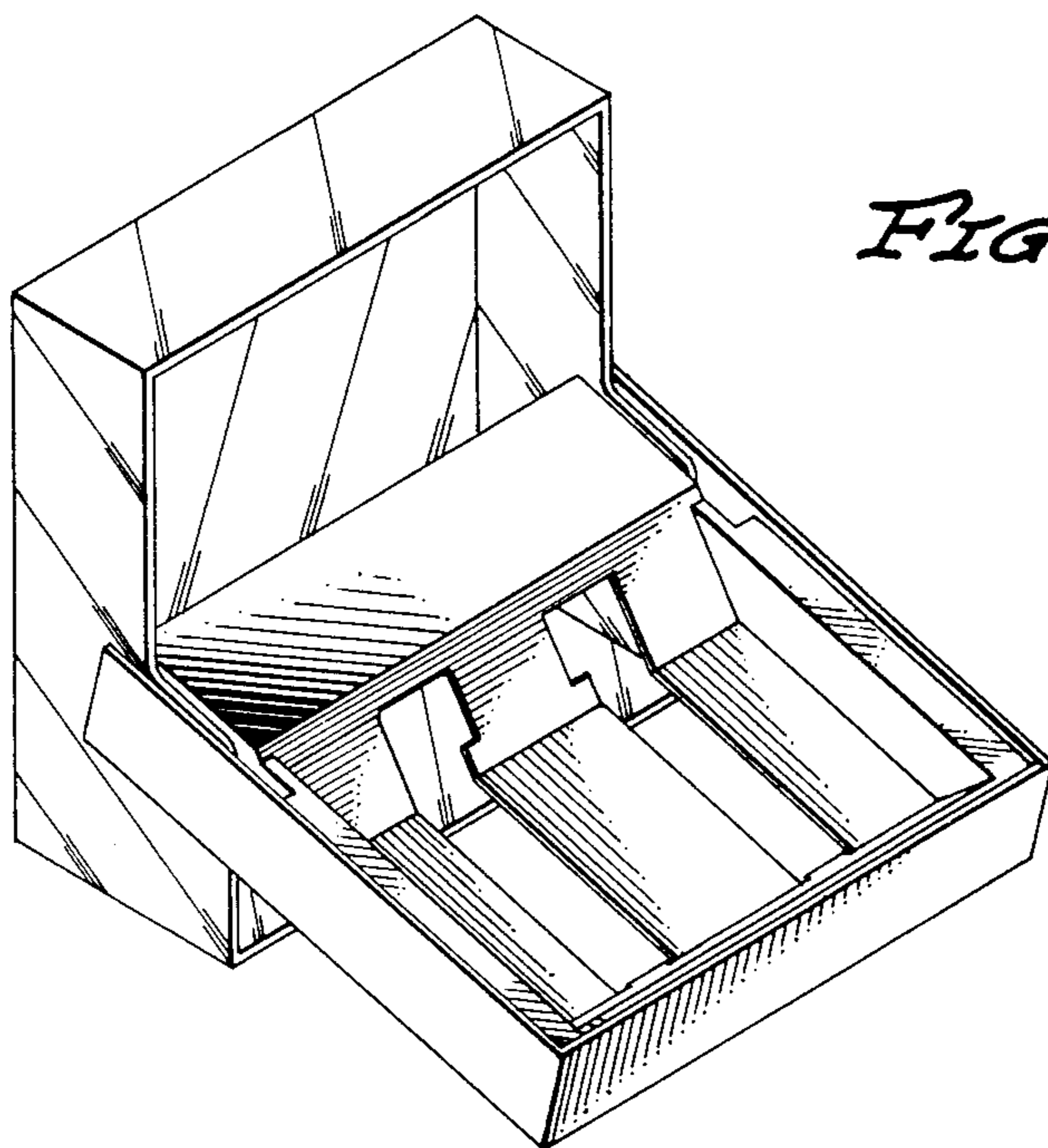


FIG. 7.

FIG. 8.

