

[54] **ELECTRONIC FLASH UNIT**

[75] **Inventor:** Tsutomu Kitajima, Tokyo, Japan

[73] **Assignee:** Toshiba Photo Products Co., Ltd., Tokyo, Japan

[\*\*] **Term:** 14 Years

[21] **Appl. No.:** 951,303

[22] **Filed:** Oct. 13, 1978

[30] **Foreign Application Priority Data**

Aug. 9, 1978 [JP] Japan ..... 53-33459

[51] **Int. Cl.** ..... D16-05

[52] **U.S. Cl.** ..... D16/42

[58] **Field of Search** ..... D16/42; 354/126, 145, 354/132, 202, 288, 295; D11/137; 362/3-18

[56] **References Cited**

**U.S. PATENT DOCUMENTS**

D. 213,581	3/1969	Osborne, Jr. ....	D16/42 X
D. 241,538	9/1976	Swayze .....	D16/42
D. 241,671	9/1976	D'Ercoli et al. ....	D16/42 X
D. 247,230	2/1978	Campbell .....	D11/137
3,127,111	3/1964	Baring .....	362/8
3,701,016	10/1972	Bennett et al. ....	455/89

3,808,081	4/1974	Okuhara et al. ....	362/142
3,997,775	12/1976	Stoneham .....	362/8
4,072,973	2/1978	Mayo .....	354/295
4,135,796	1/1979	Abbeloos .....	354/126

*Primary Examiner*—Catherine E. Kemper  
*Attorney, Agent, or Firm*—Stephen H. Frishauf

[57] **CLAIM**

The ornamental design for electronic flash unit, substantially as shown and described.

**DESCRIPTION**

FIG. 1 is a perspective view of an electronic flash unit showing my new design;  
FIG. 2 is a front view thereof;  
FIG. 3 is a rear view thereof;  
FIG. 4 is a top plan view thereof;  
FIG. 5 is a bottom plan view thereof;  
FIG. 6 is a left side view thereof;  
FIG. 7 is a right side view thereof;  
FIG. 8 is an exploded perspective view thereof;  
FIG. 9 is a longitudinal sectional view taken on line 9-9 in FIG. 2; and  
FIG. 10 is a top plan view of a second embodiment of an electronic flash unit, wherein the only difference resides in the use of a patterned decorative sheet beneath the transparent cover.

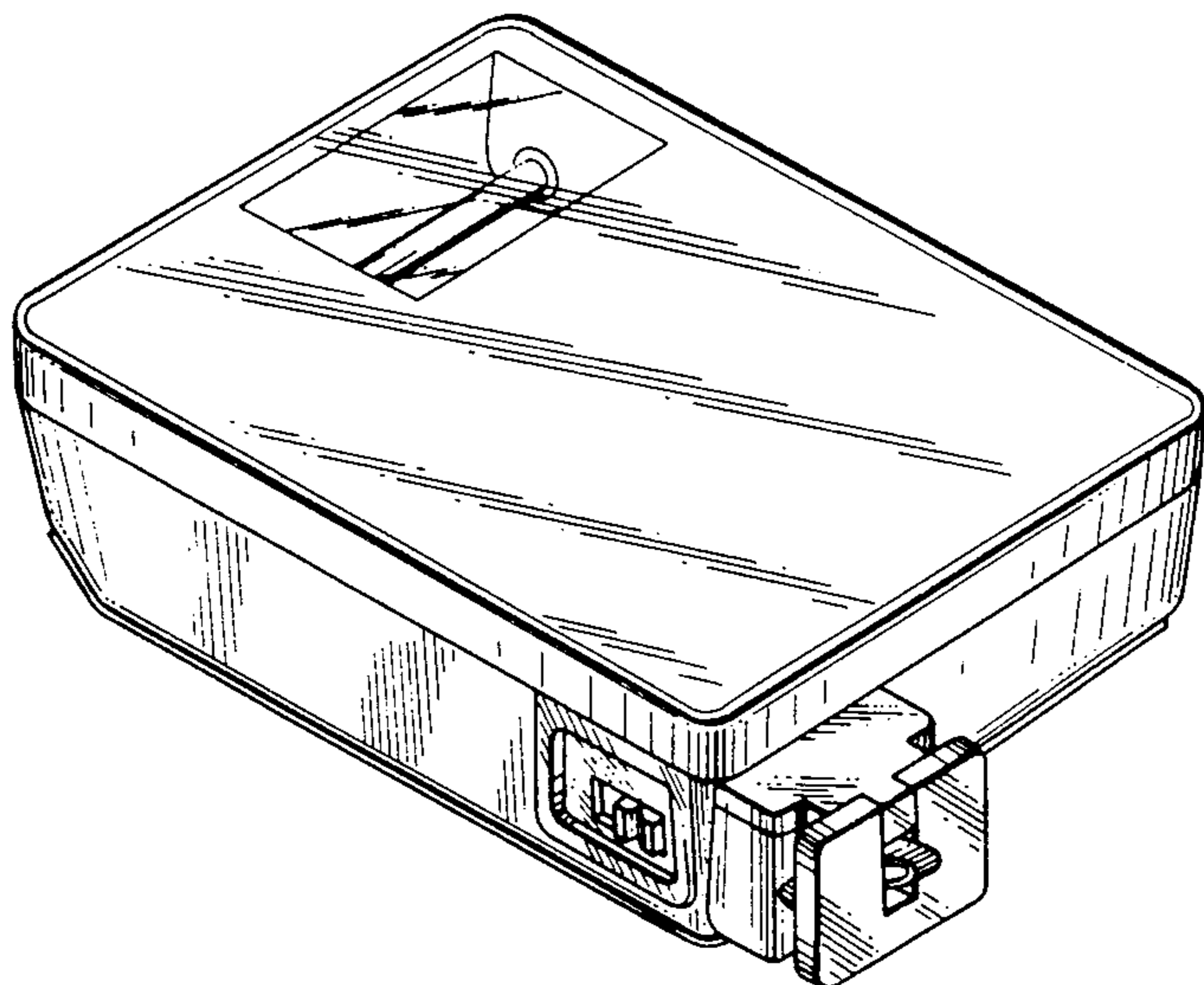


FIG. 1

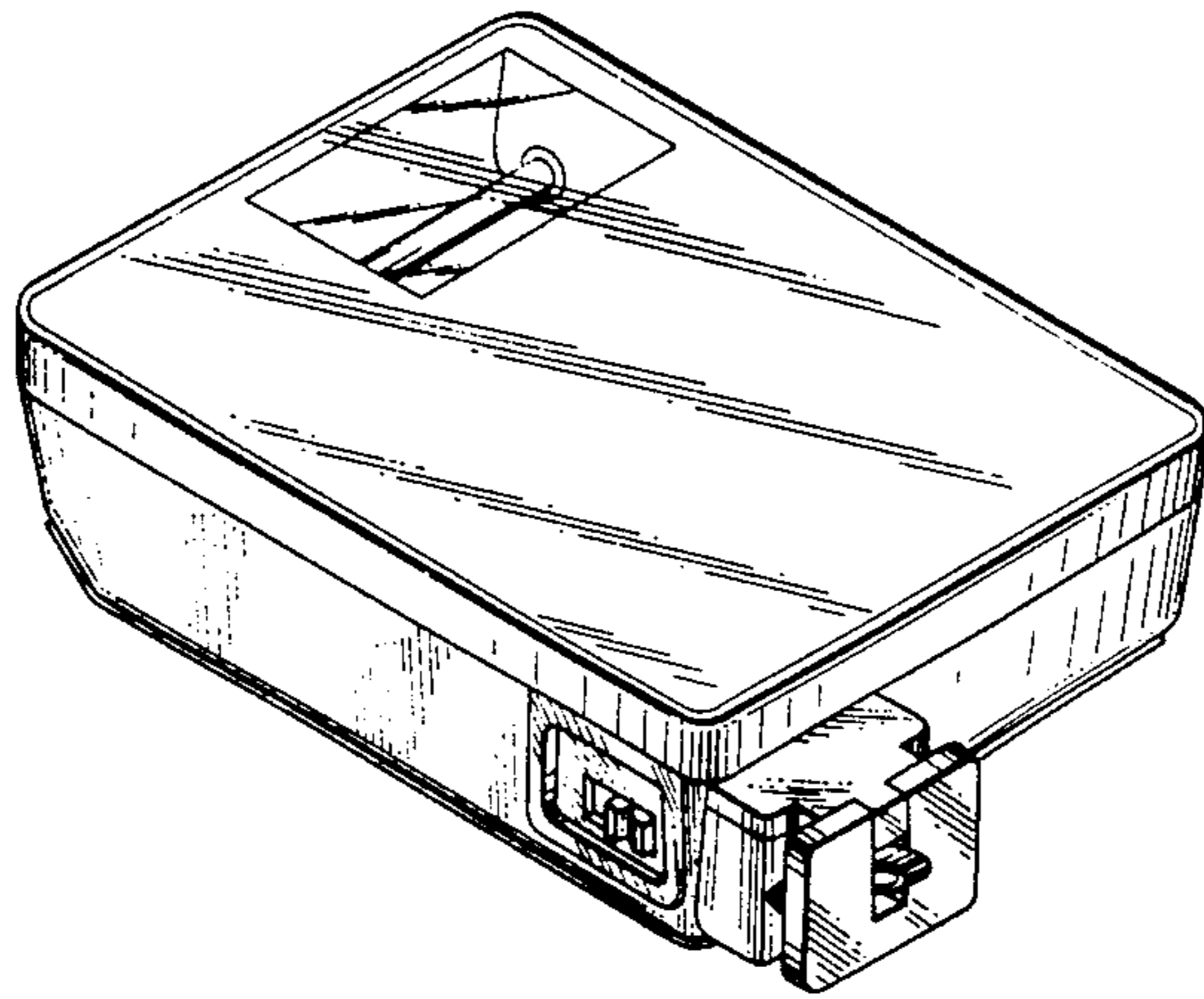


FIG. 2

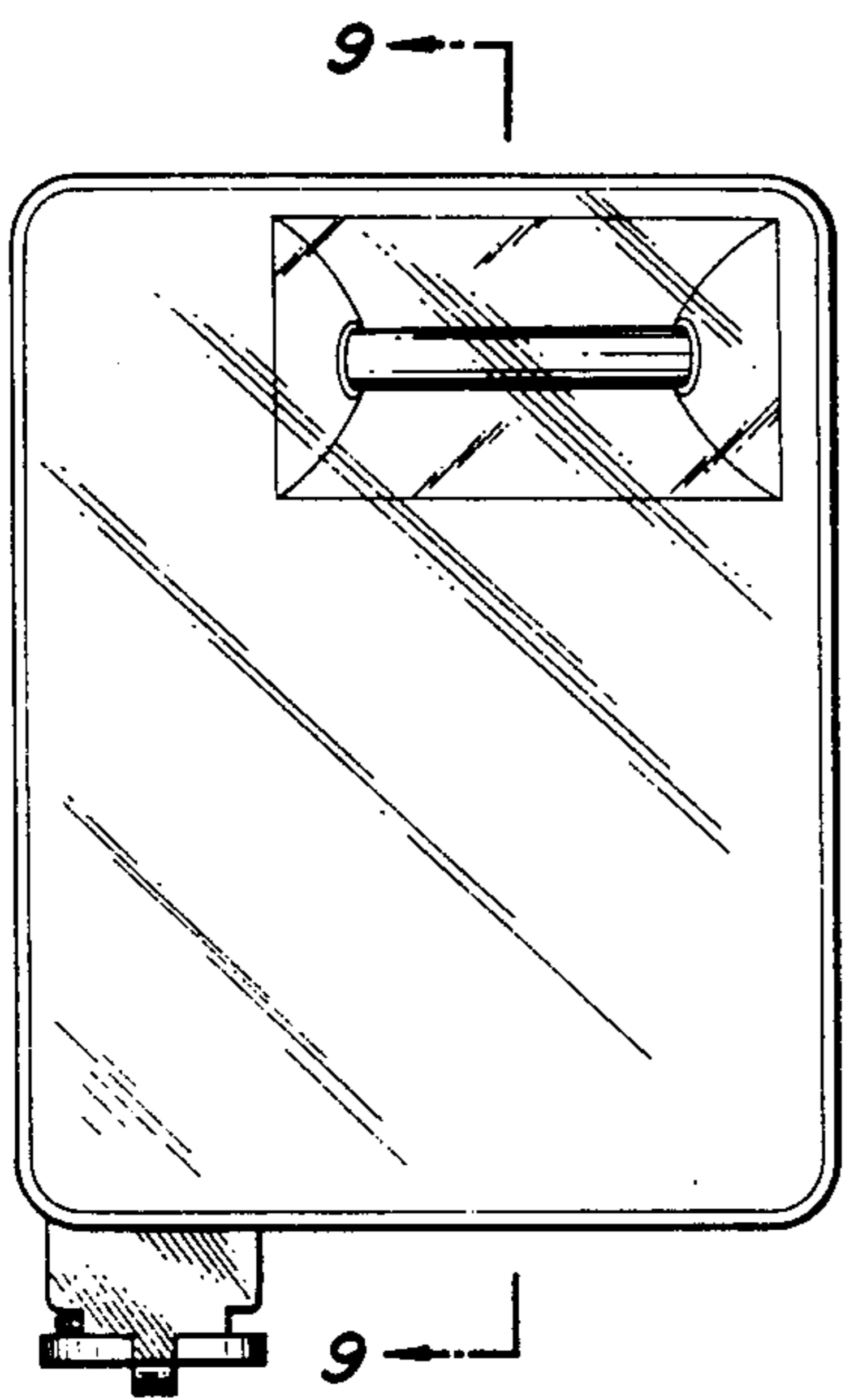


FIG. 3

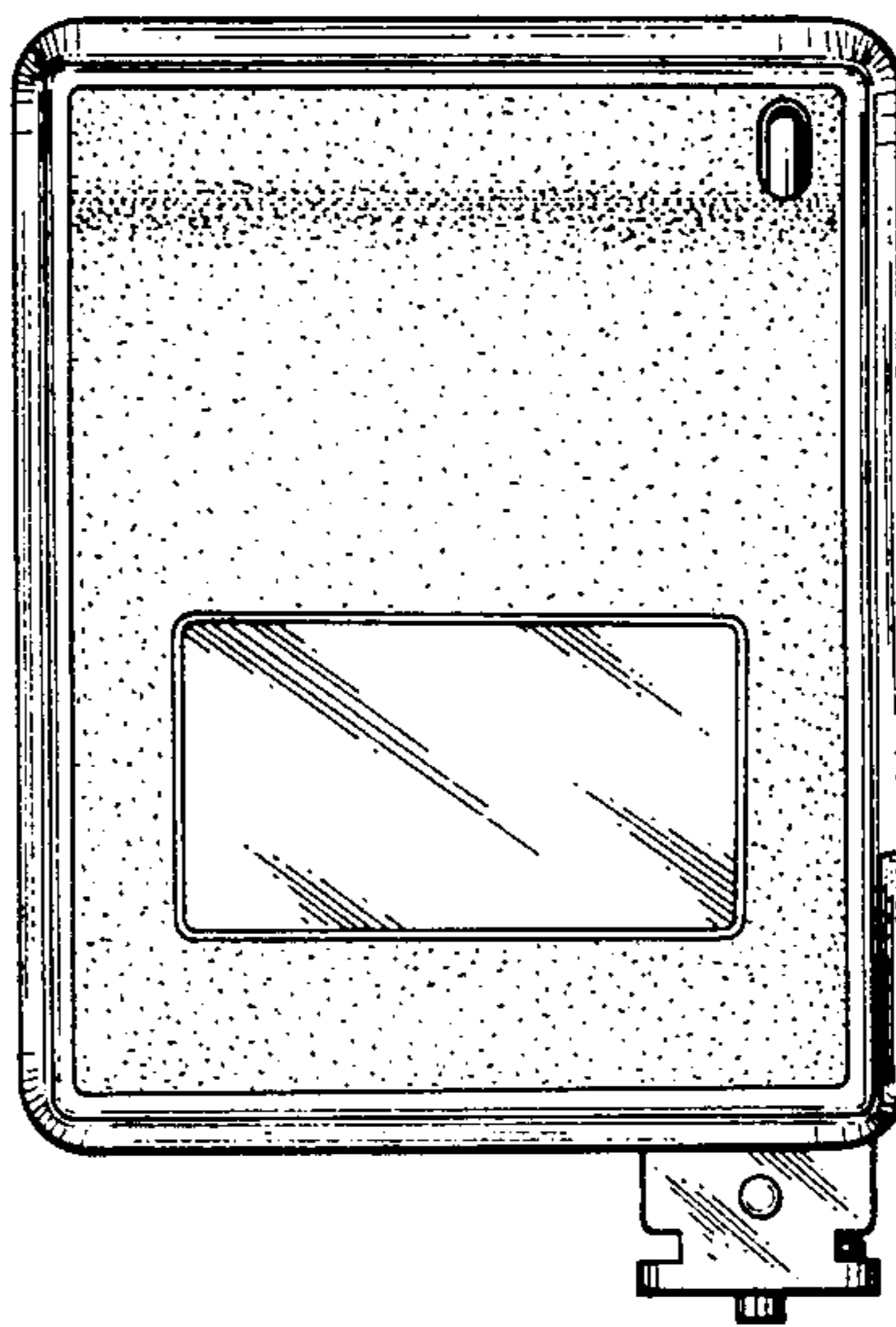


FIG. 4

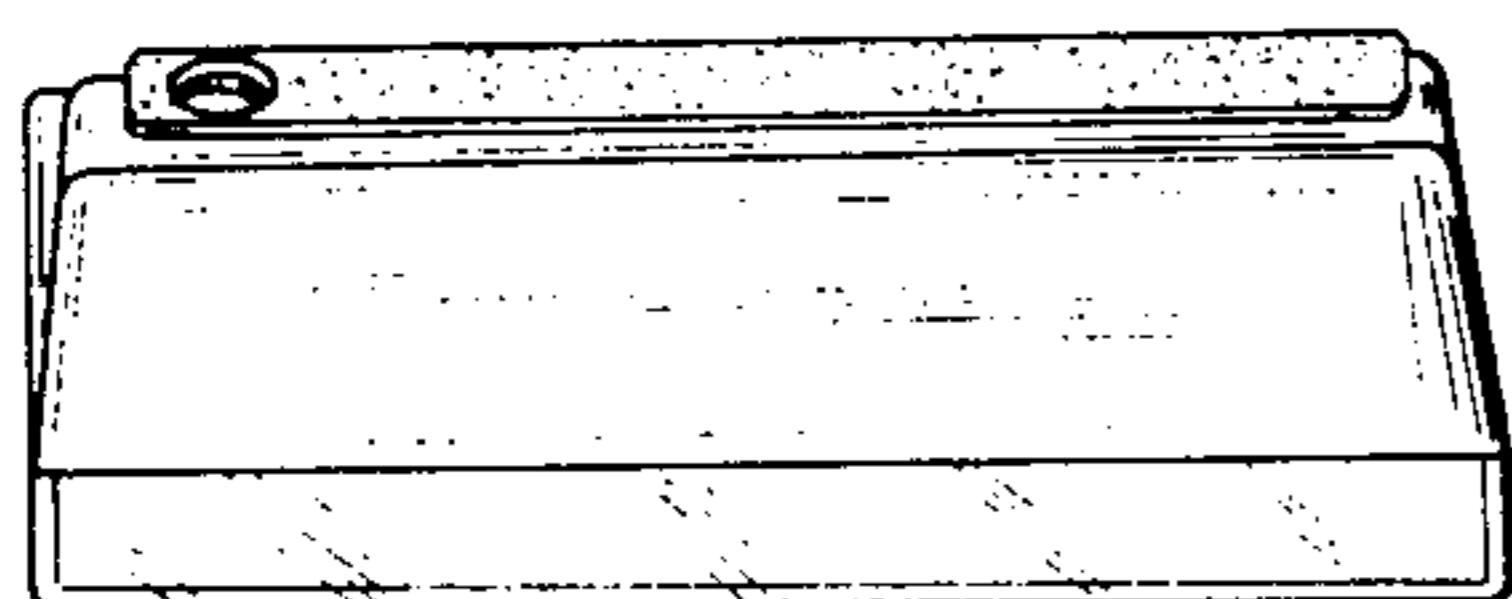


FIG. 5

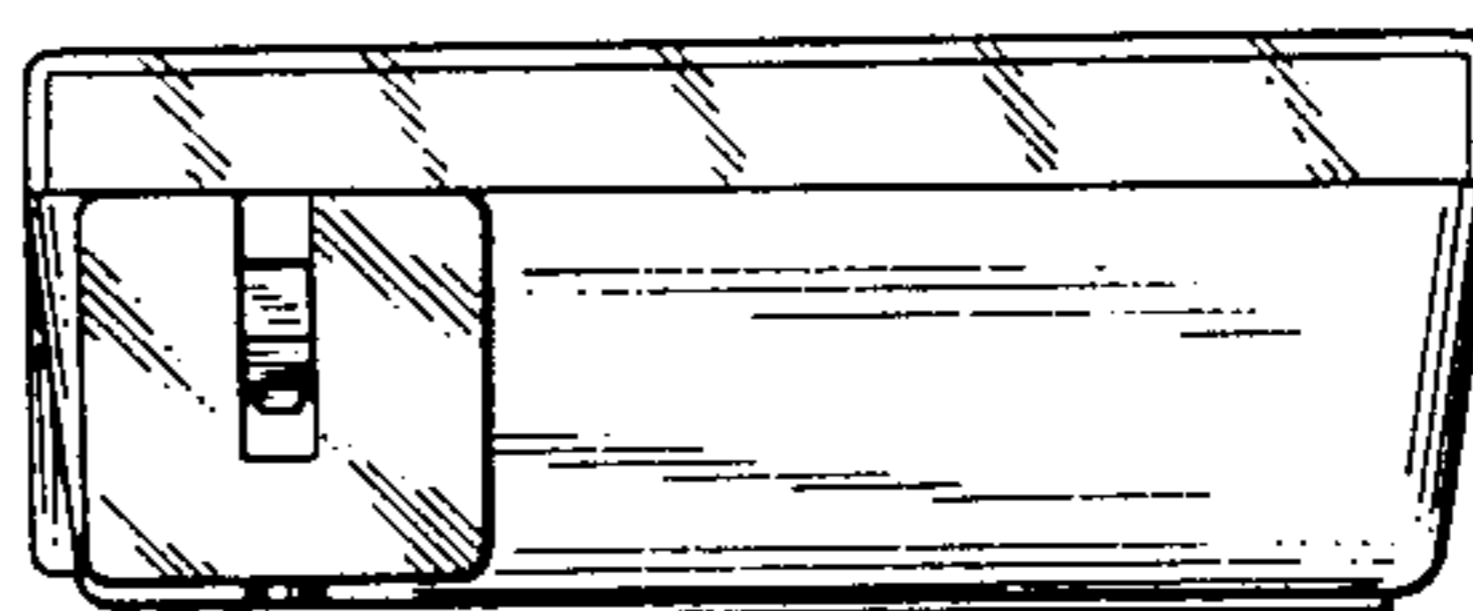


FIG. 6

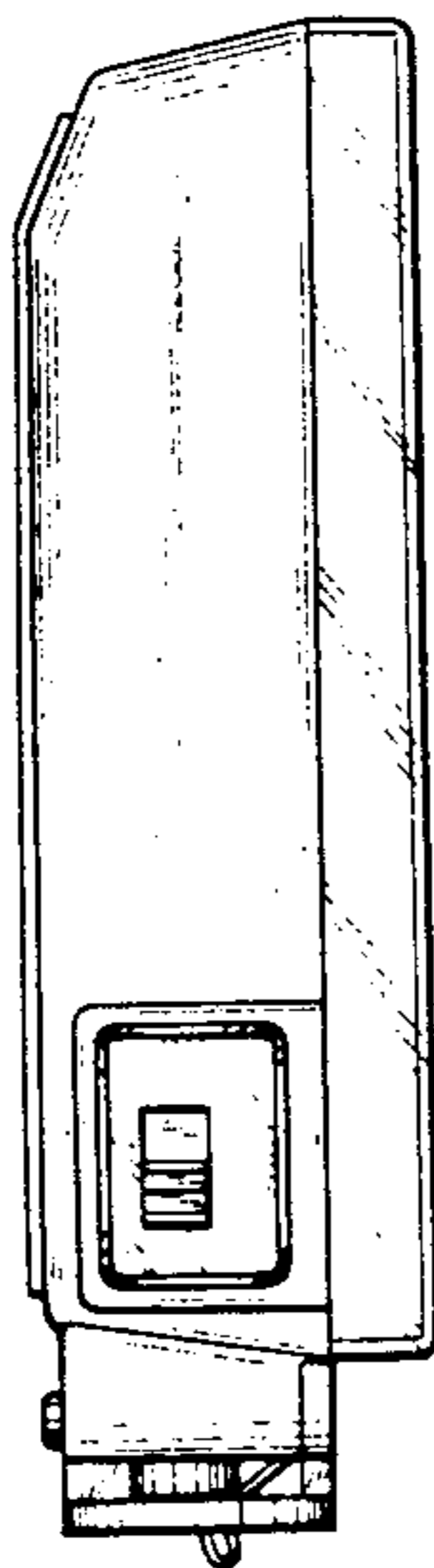


FIG. 7

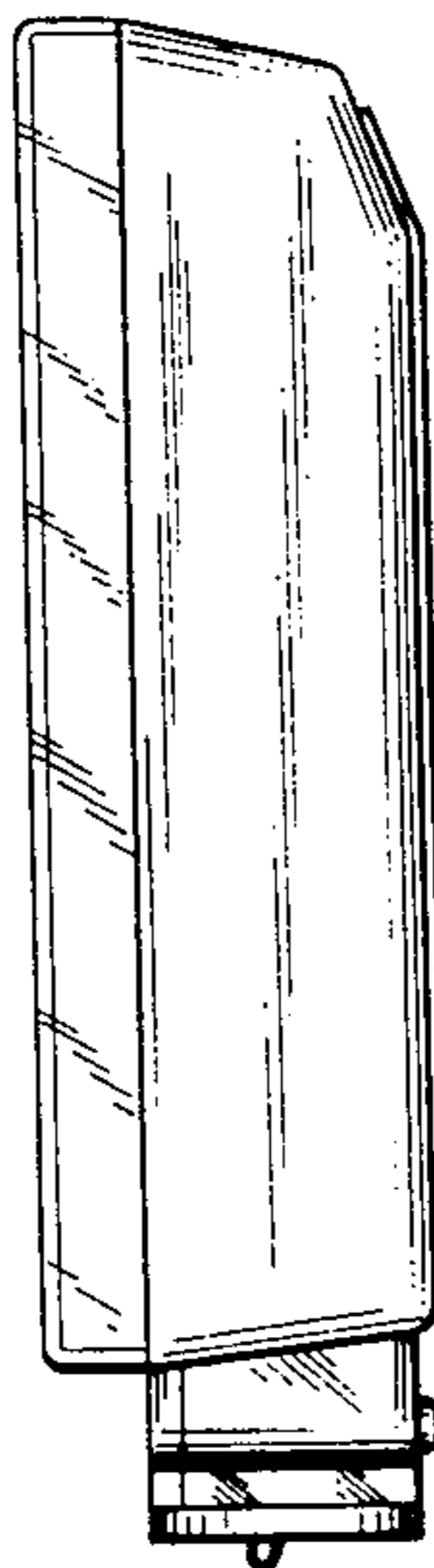


FIG. 8

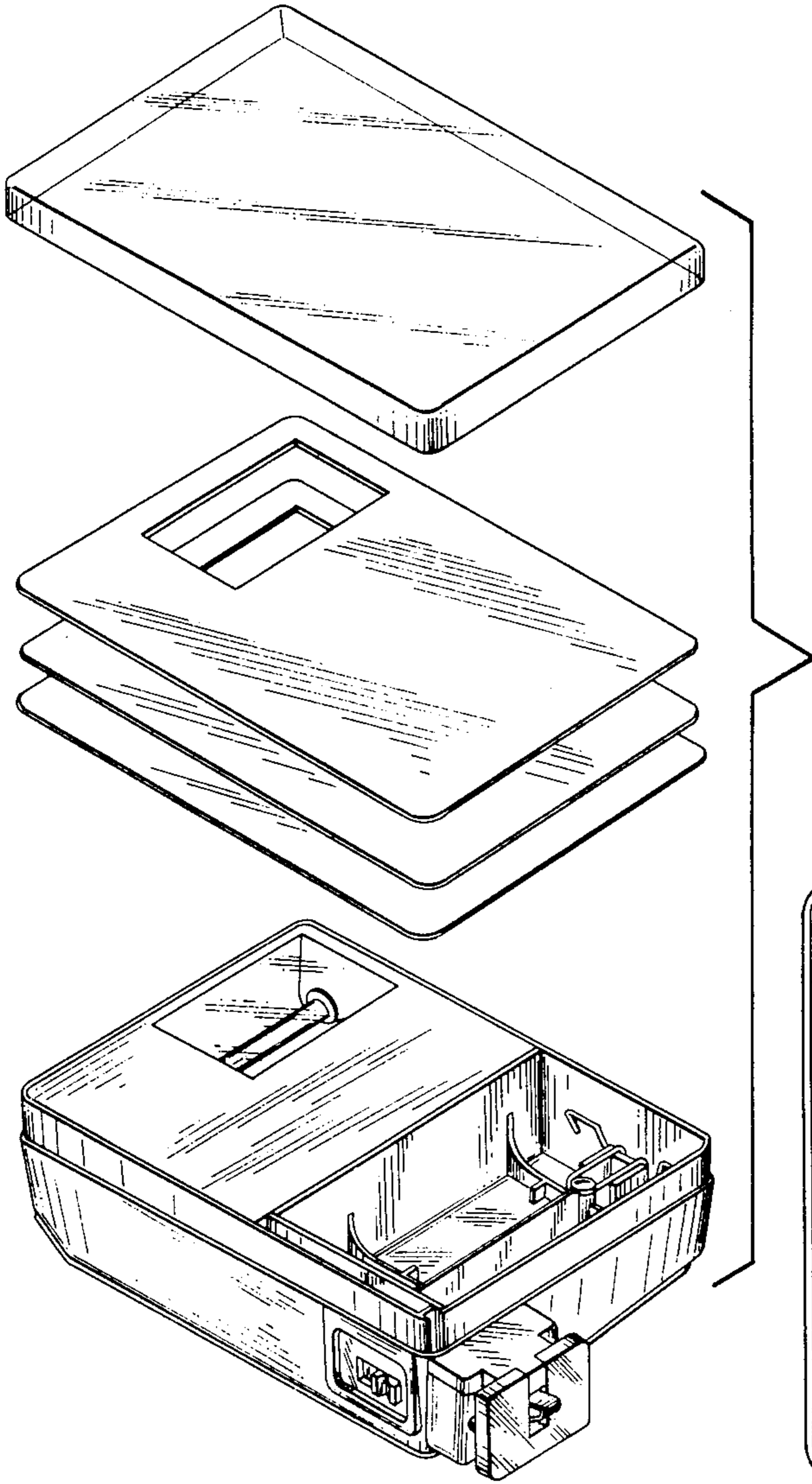


FIG. 9

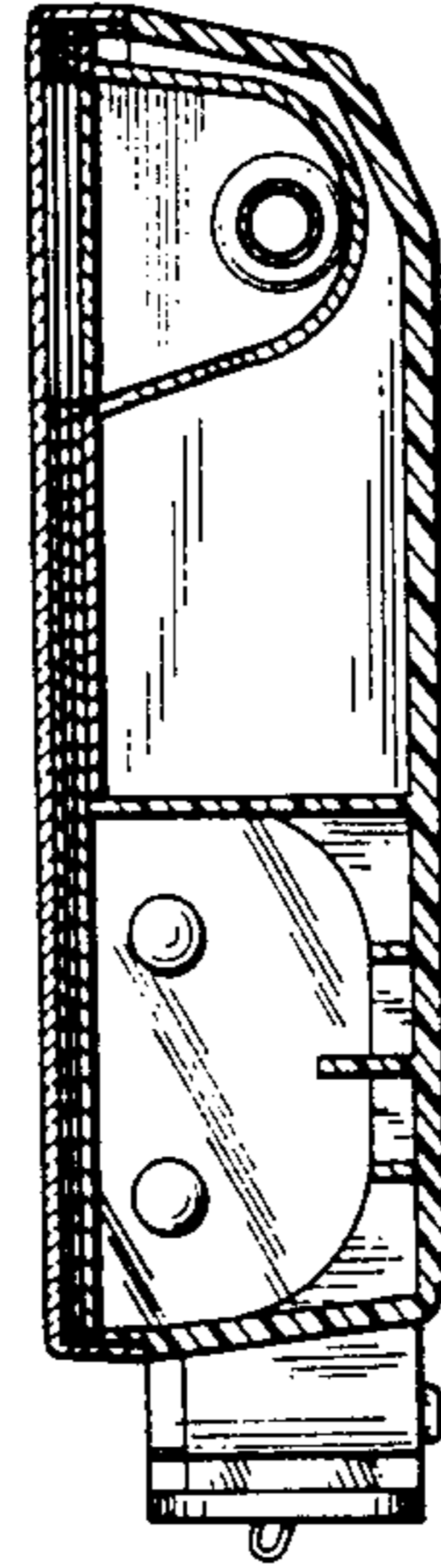


FIG. 10

