

[54] TIE-DOWN BRACKET FOR A VEHICLE MOUNTED ARTICLE CARRIER

[75] Inventor: Ray G. Mareydt, Warren, Mich.

[73] Assignee: Four Star Corporation, Troy, Mich.

[**] Term: 14 Years

[21] Appl. No.: 97,727

[22] Filed: Nov. 26, 1979

[51] Int. Cl. D8-08; D12-16

[52] U.S. Cl. D8/382; D8/383;
D8/356; D12/157

[58] Field of Search D8/382, 383, 356;
D12/157; 224/310, 321, 323-326, 329, 331, 315;
248/499, 500; 24/265 CD

[56] References Cited

U.S. PATENT DOCUMENTS

4,132,335 1/1979 Ingram D8/382

Primary Examiner—James M. Gandy
Attorney, Agent, or Firm—Richard P. Barnard

[57] CLAIM

The ornamental design for a tie-down bracket for a vehicle mounted article carrier, as shown and described.

DESCRIPTION

FIG. 1 is a top plan view of a tie-down bracket for a vehicle mounted article carrier showing my new design;

FIG. 2 is a rear elevational view thereof;

FIG. 3 is a bottom plan view thereof;

FIG. 4 is a front elevational view thereof;

FIG. 5 is a side elevational view thereof, and

FIG. 6 is a side elevational view thereof as seen from the side opposite that of FIG. 5.

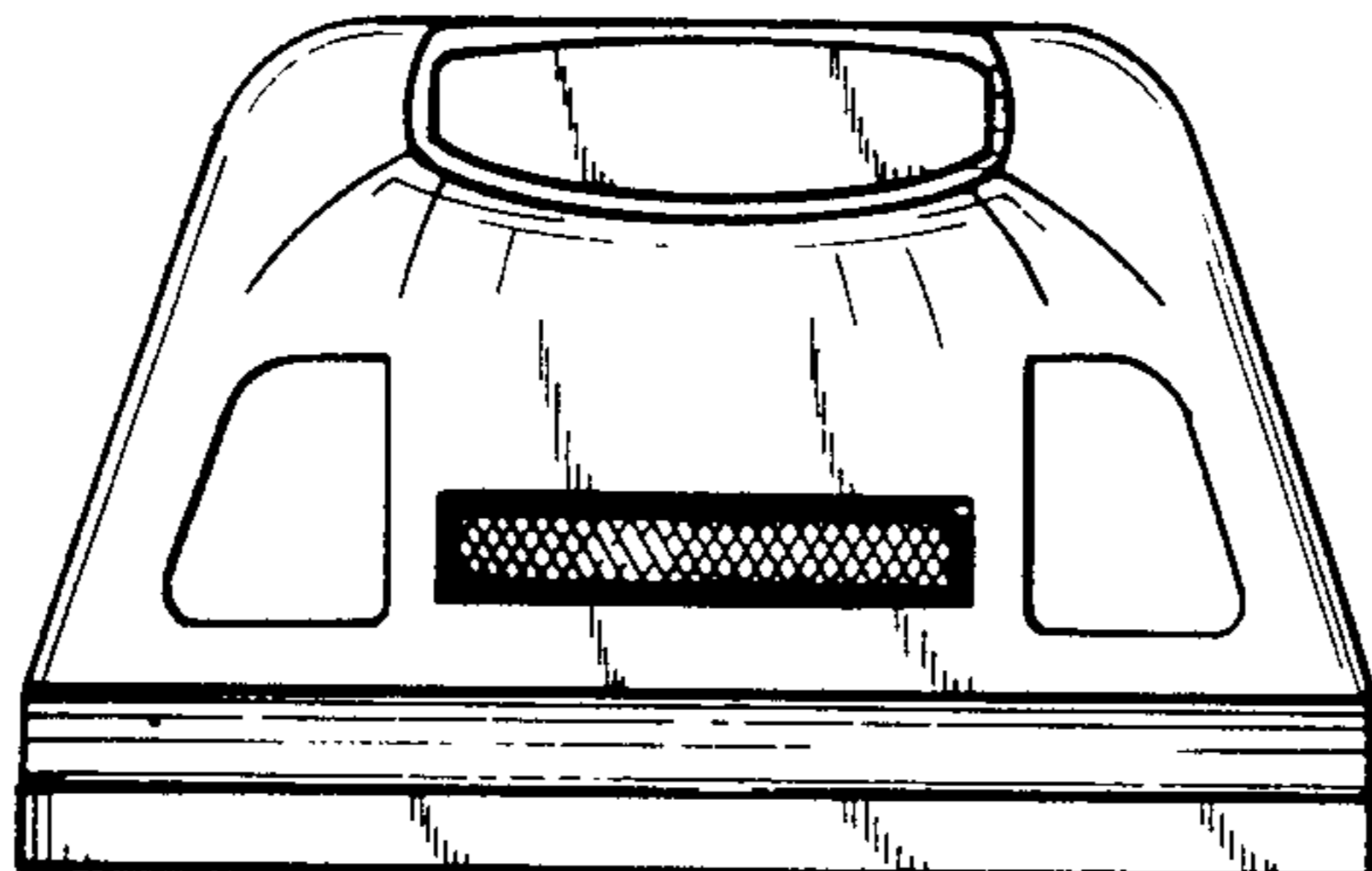
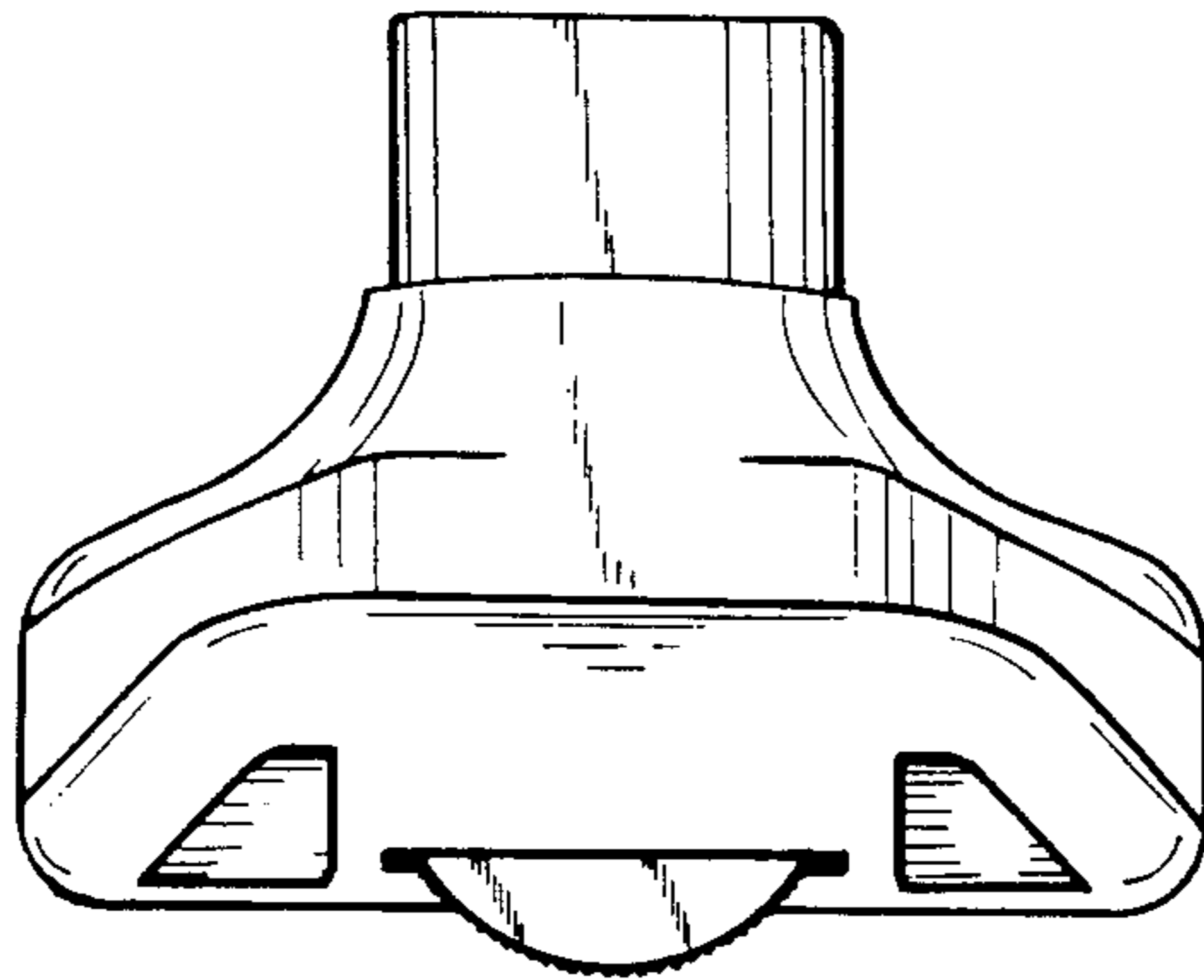


FIG-1

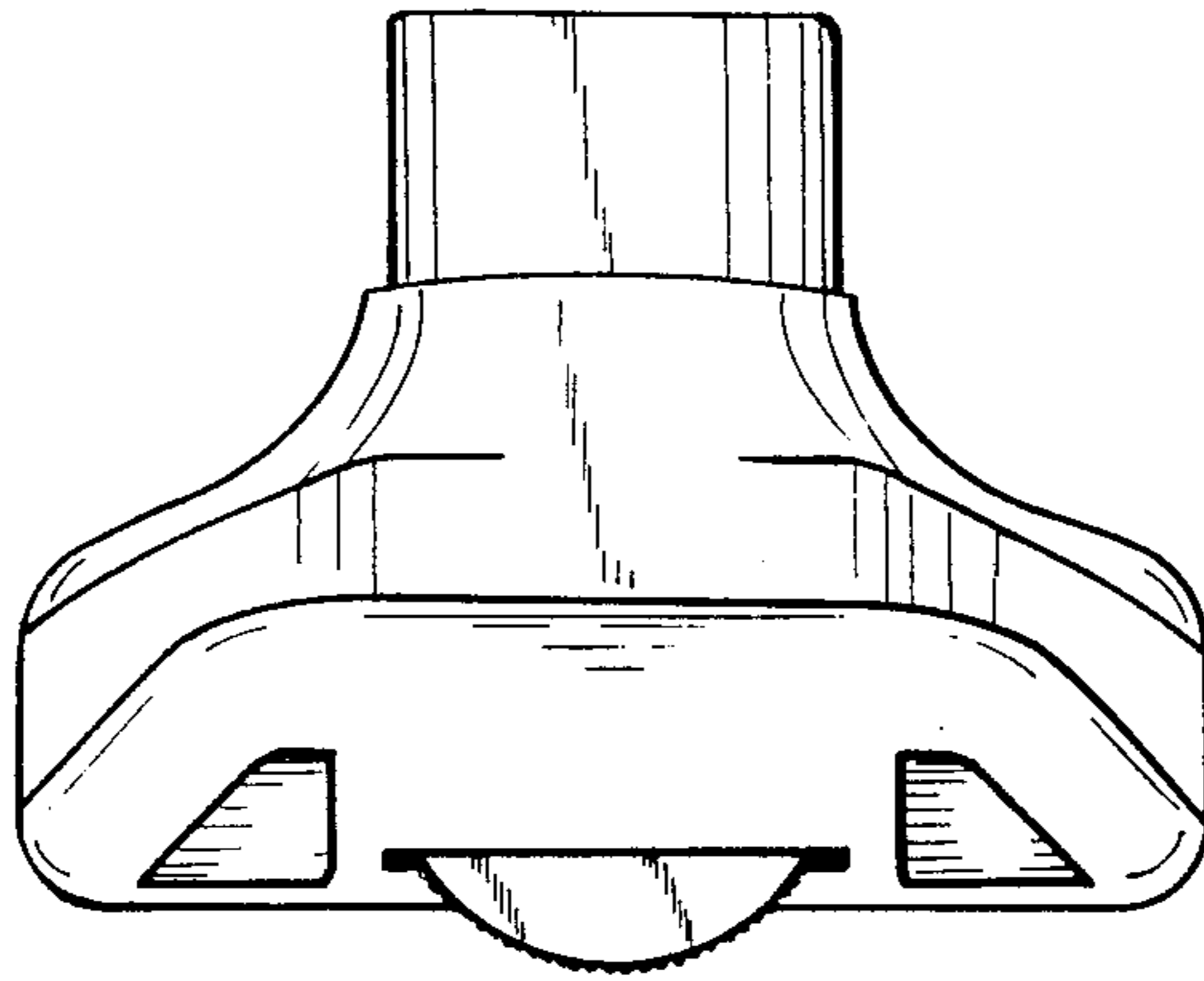


FIG-2

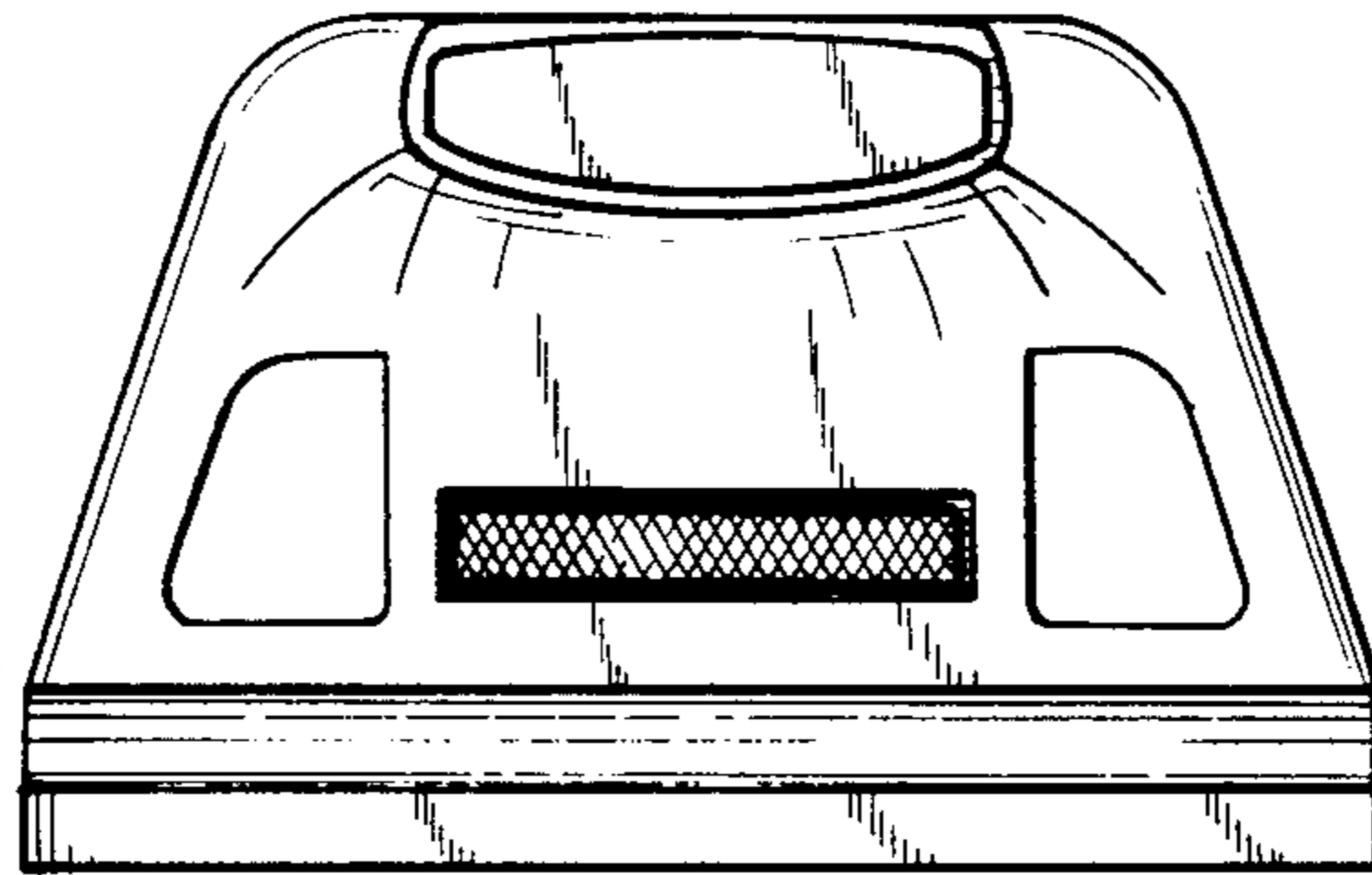


FIG-3

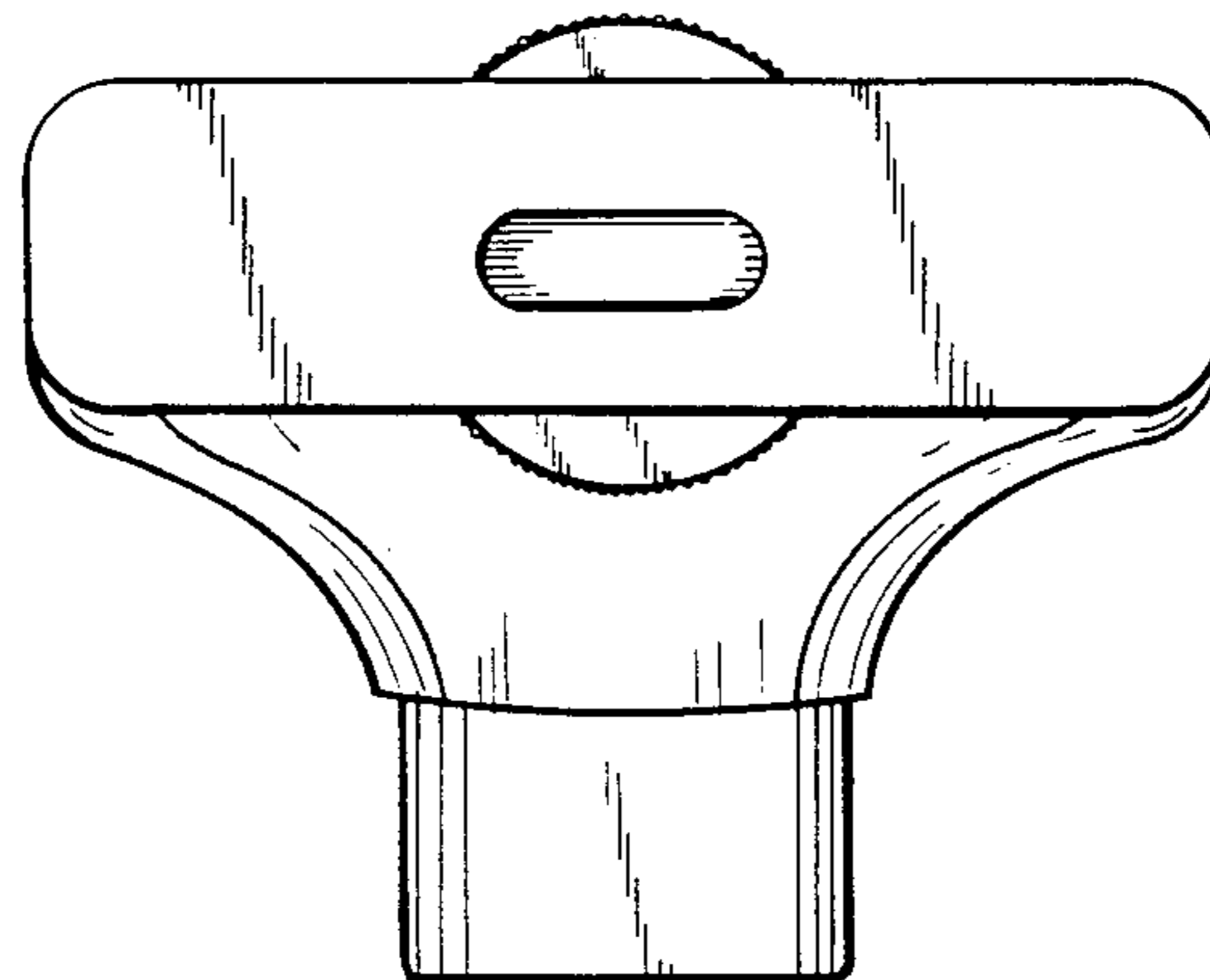


FIG-4

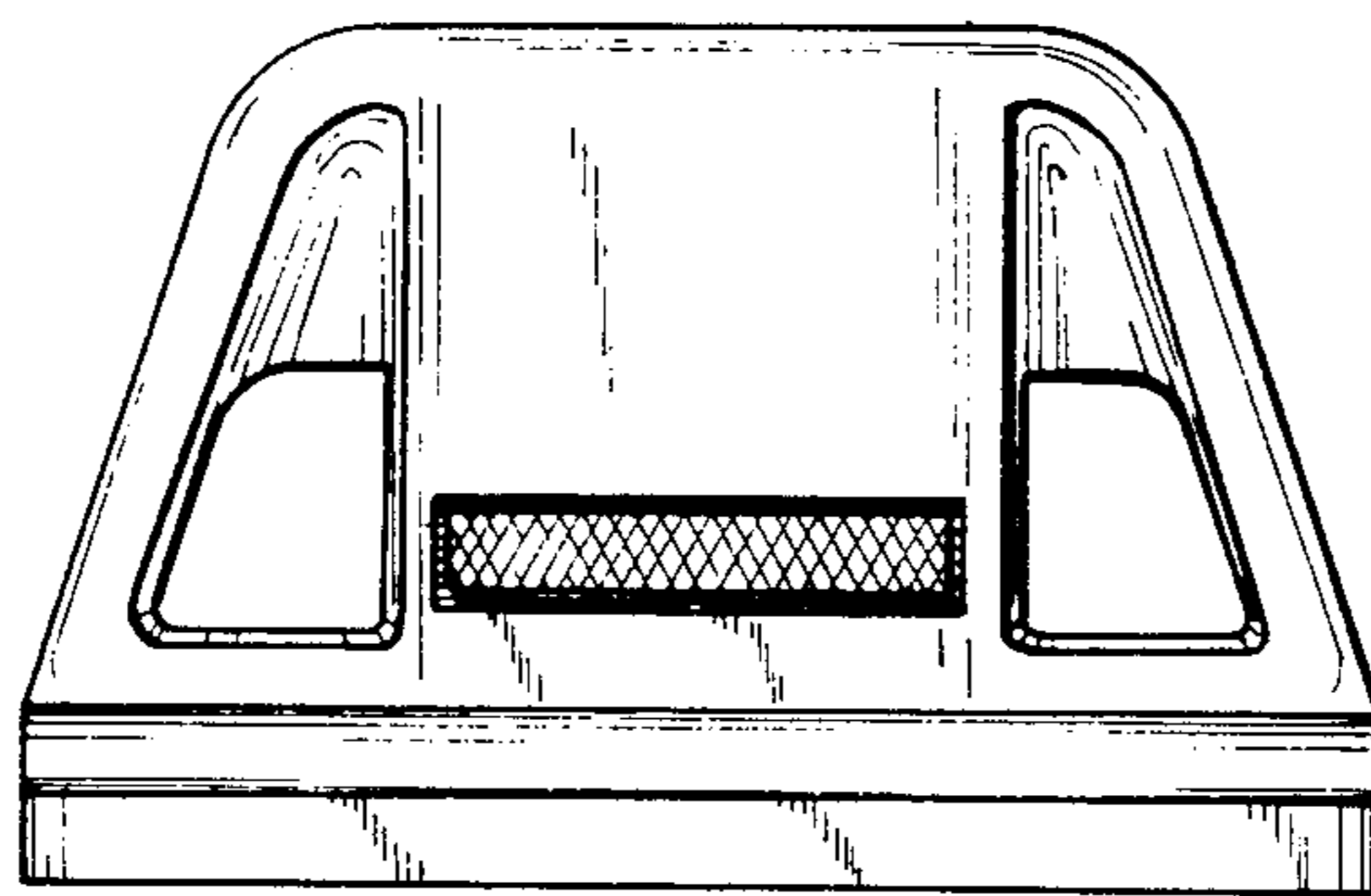


FIG-5

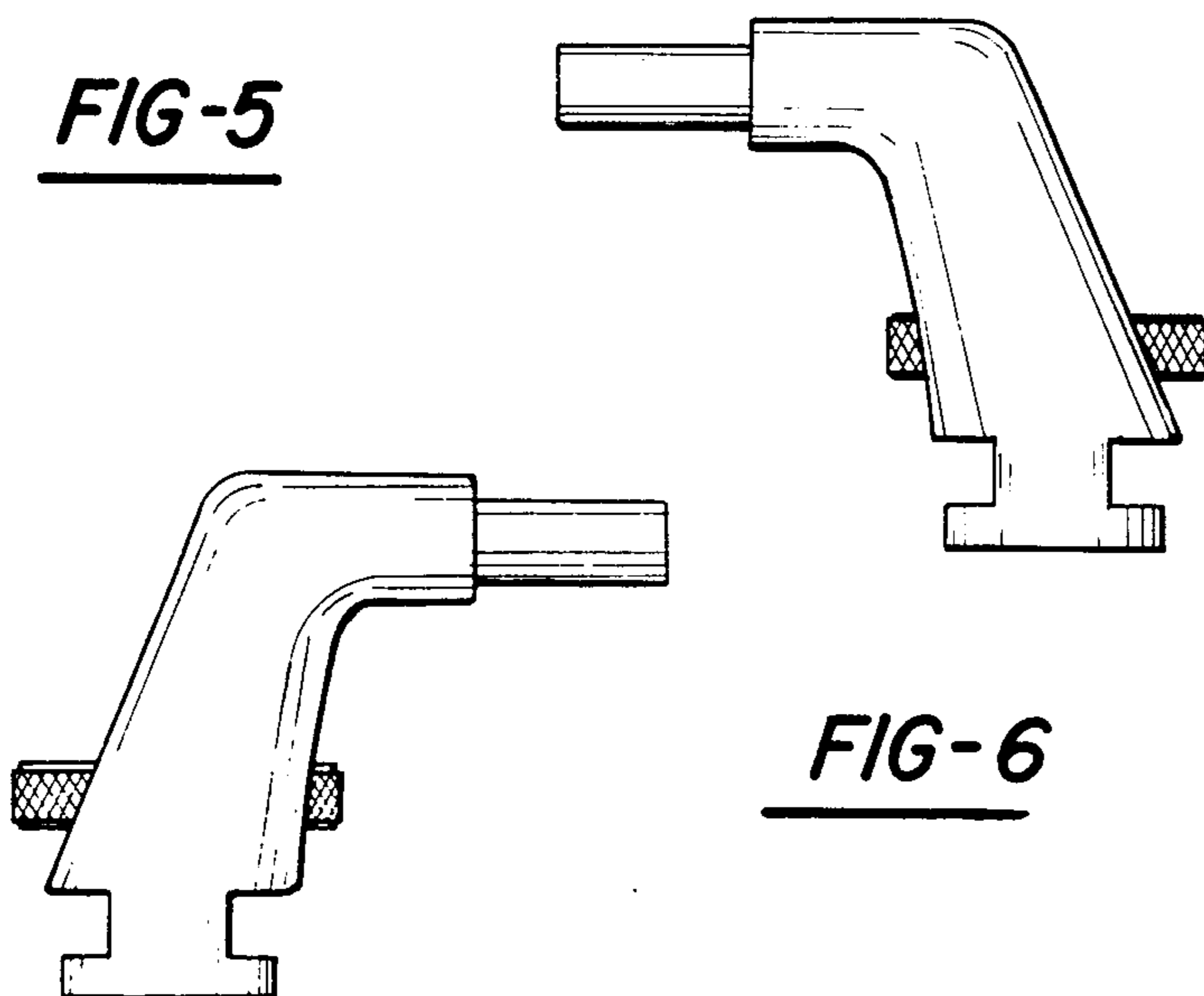


FIG-6