

[54] CANOE GUNWALE

[76] Inventor: Patrick B. Moore, 5105 N. Winthrop Ave., Indianapolis, Ind. 46205

[\*\*] Term: 14 Years

[21] Appl. No.: 964,646

[22] Filed: Nov. 29, 1978

Related U.S. Application Data

[63] Continuation-in-part of Ser. No. 707,698, Jul. 22, 1976, abandoned.

[51] Int. Cl. .... D12-06

[52] U.S. Cl. .... D12/70; D12/63; D25/38; D25/74

[58] Field of Search ..... D12/70, 63; 9/1.1, 1.7; D25/74, 38

[56] References Cited

U.S. PATENT DOCUMENTS

D. 237,382 10/1975 Bartlett ..... D25/74  
691,744 1/1902 Carr ..... D25/74

FOREIGN PATENT DOCUMENTS

1546918 10/1968 France ..... 9/1.7

OTHER PUBLICATIONS

Metal Mouldings & Accessories Catalog No. 3-48 p. 30.

Primary Examiner—Sam Rosen

Attorney, Agent, or Firm—David H. Badger

[57] CLAIM

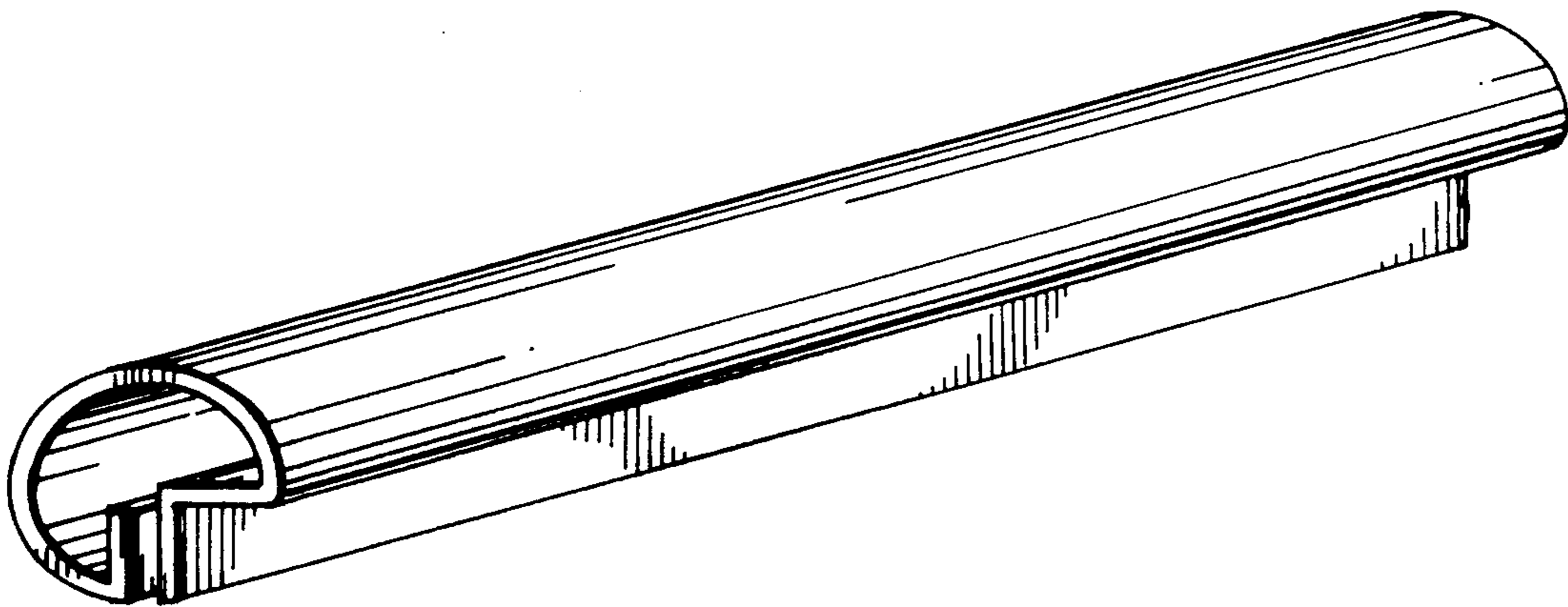
The ornamental design for a canoe gunwale, as shown.

DESCRIPTION

FIG. 1 is a perspective view from one side of the canoe gunwale showing my new design;

FIG. 2 is a perspective view from the other side thereof; and

FIG. 3 is an end view thereof.



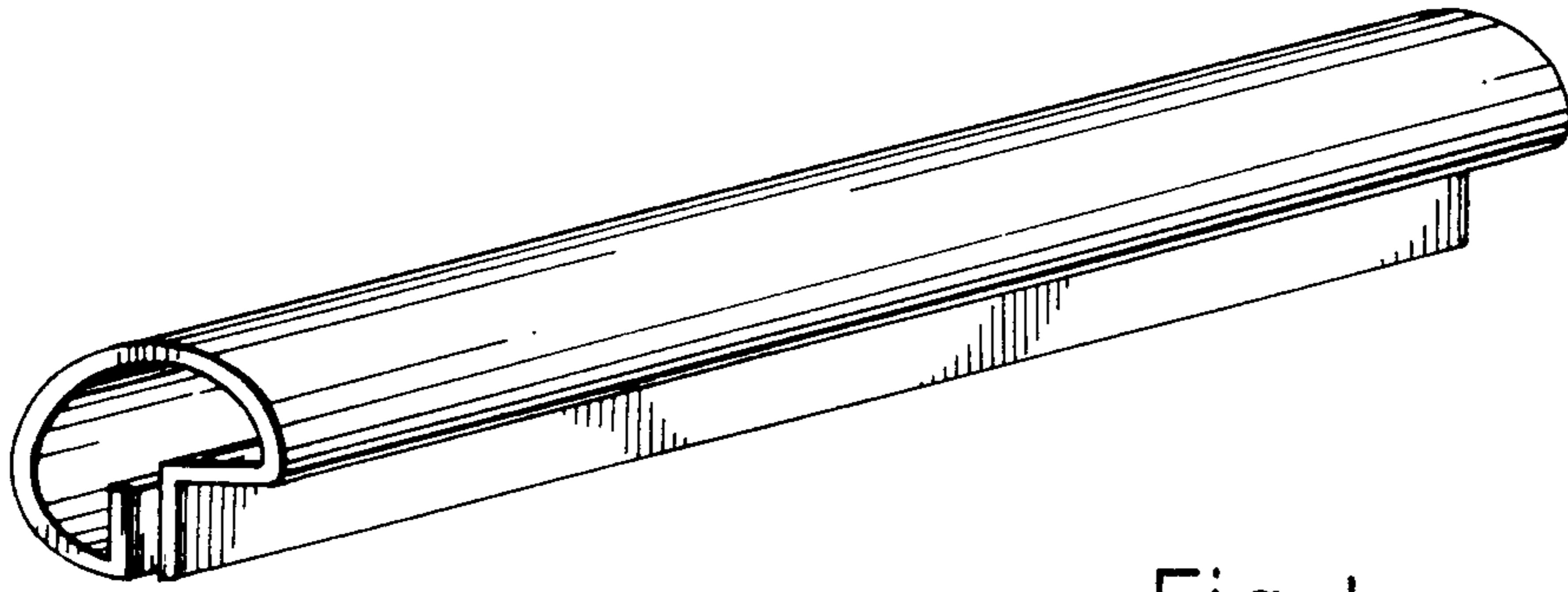


Fig. 1

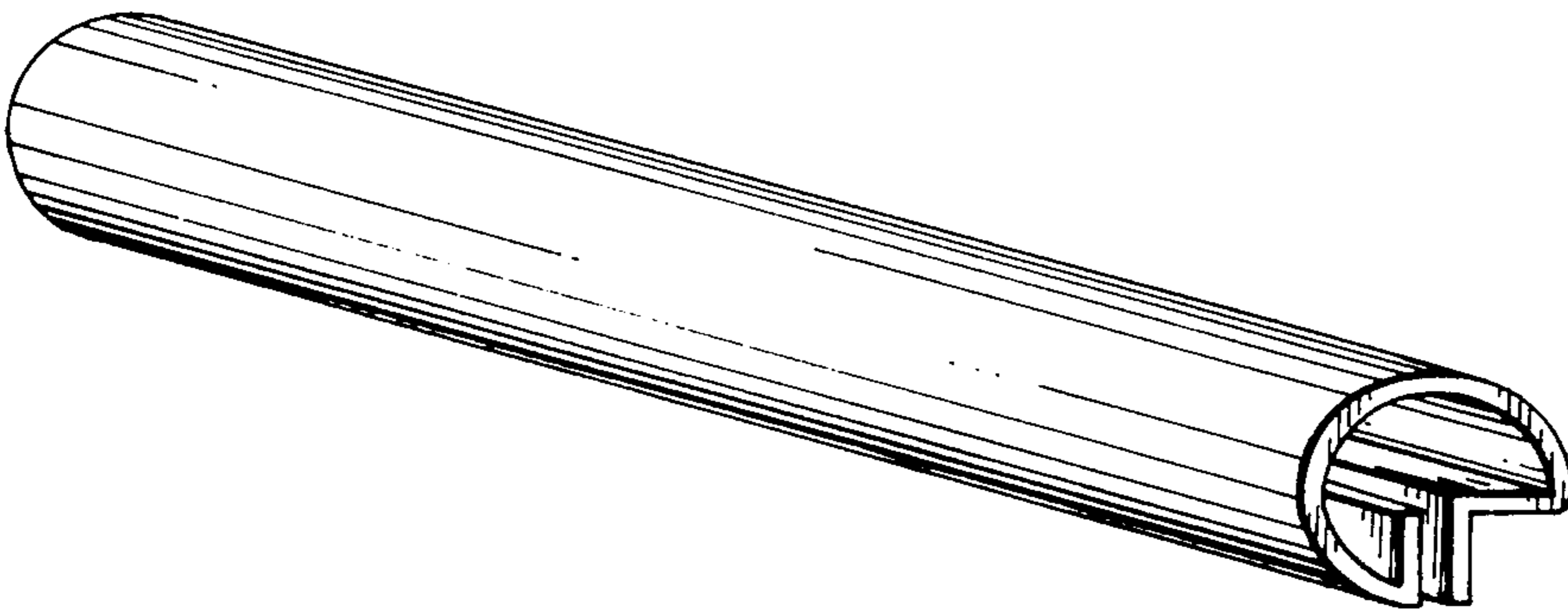


Fig. 2

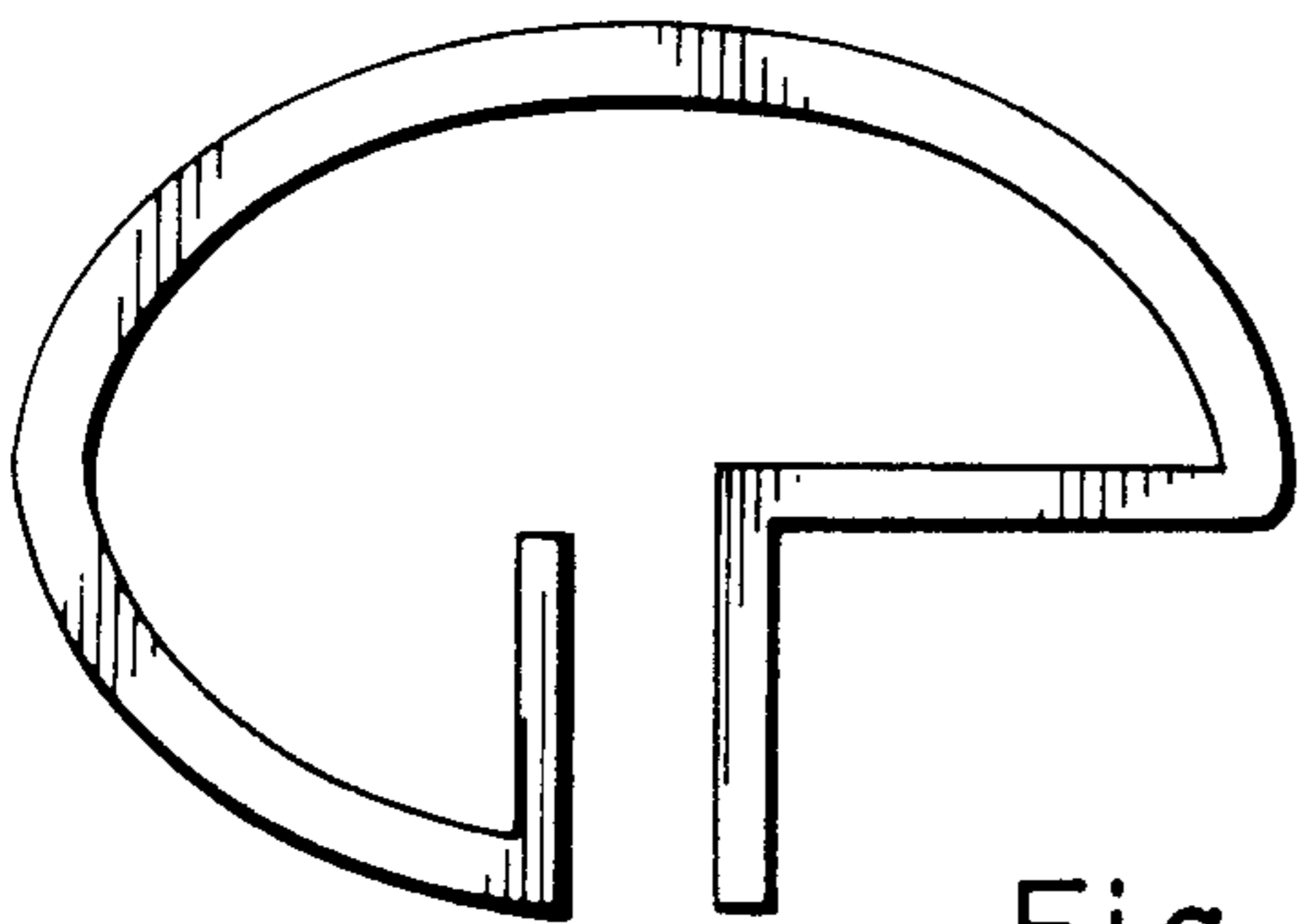


Fig. 3