

[54] LOOSE-FILL PACKING ELEMENT

[76] Inventor: Harry D. Atkins, 5802 Troost Ave., North Hollywood, Calif. 91601

[\*\*] Term: 14 Years

[21] Appl. No.: 836,515

[22] Filed: Sep. 26, 1977

[51] Int. Cl. .... D9-99

[52] U.S. Cl. .... D9/456

[58] Field of Search ..... 206/521, 523, 584; 264/51, 53, 55, 321; 428/33, 156, 174, 357, 398, 369, 399, 402, 542; D25/71-97; D9/294

[56] References Cited

U.S. PATENT DOCUMENTS

D. 240,604	7/1976	Bussey, Jr. ....	D9/294
1,318,210	10/1919	Boiteaux ....	D25/73 X
3,314,584	4/1967	Knapp et al. ....	206/523 X
3,389,534	6/1968	Pendleton ....	220/429 X

3,546,055	12/1970	Spertus .....	206/523 X
4,027,064	5/1977	Bussey, Jr. ....	206/523 X

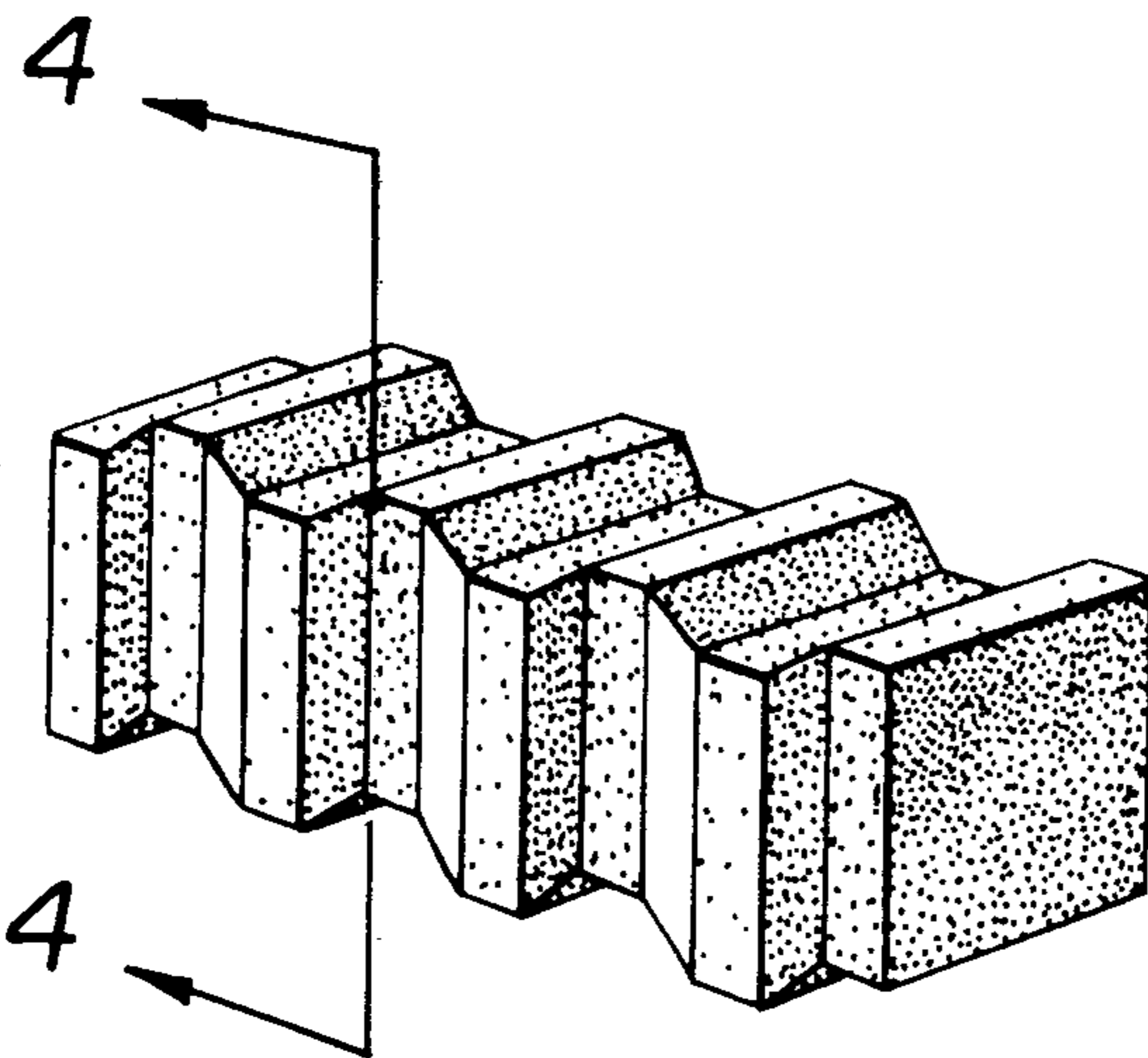
Primary Examiner—Robert C. Spangler  
Attorney, Agent, or Firm—Francis X. LoJacono, Sr.

[57] CLAIM

The ornamental design for a loose-fill packing element, as shown and described.

DESCRIPTION

FIG. 1 is a perspective view of a loose-fill packing element showing my new design therefor;  
FIG. 2 is a top plan view thereof;  
FIG. 3 is an end elevational view thereof;  
FIG. 4 is a cross-sectional view taken along line 4—4 of FIG. 1; and  
FIG. 5 is a bottom plan view thereof.  
An elevational view of the side seen in FIG. 1 has the same appearance as the top view seen in FIG. 2 and an elevational view of the side not seen in FIG. 1 has the same appearance as the bottom view seen in FIG. 5.



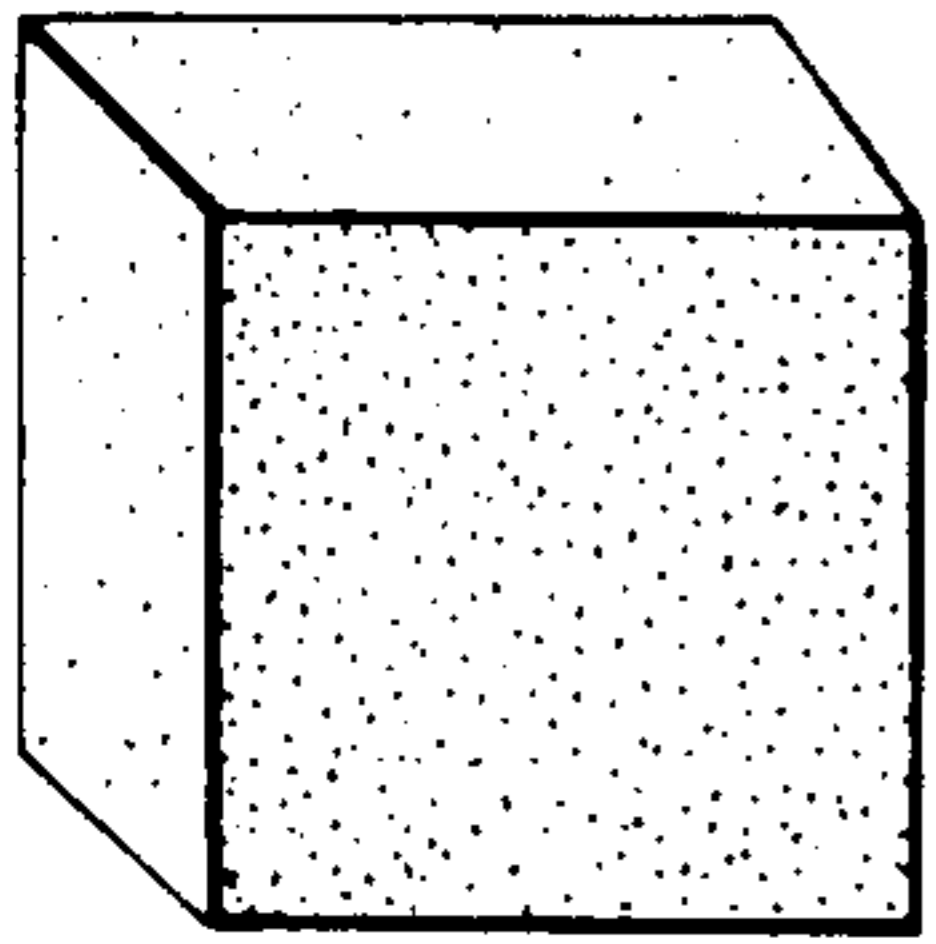
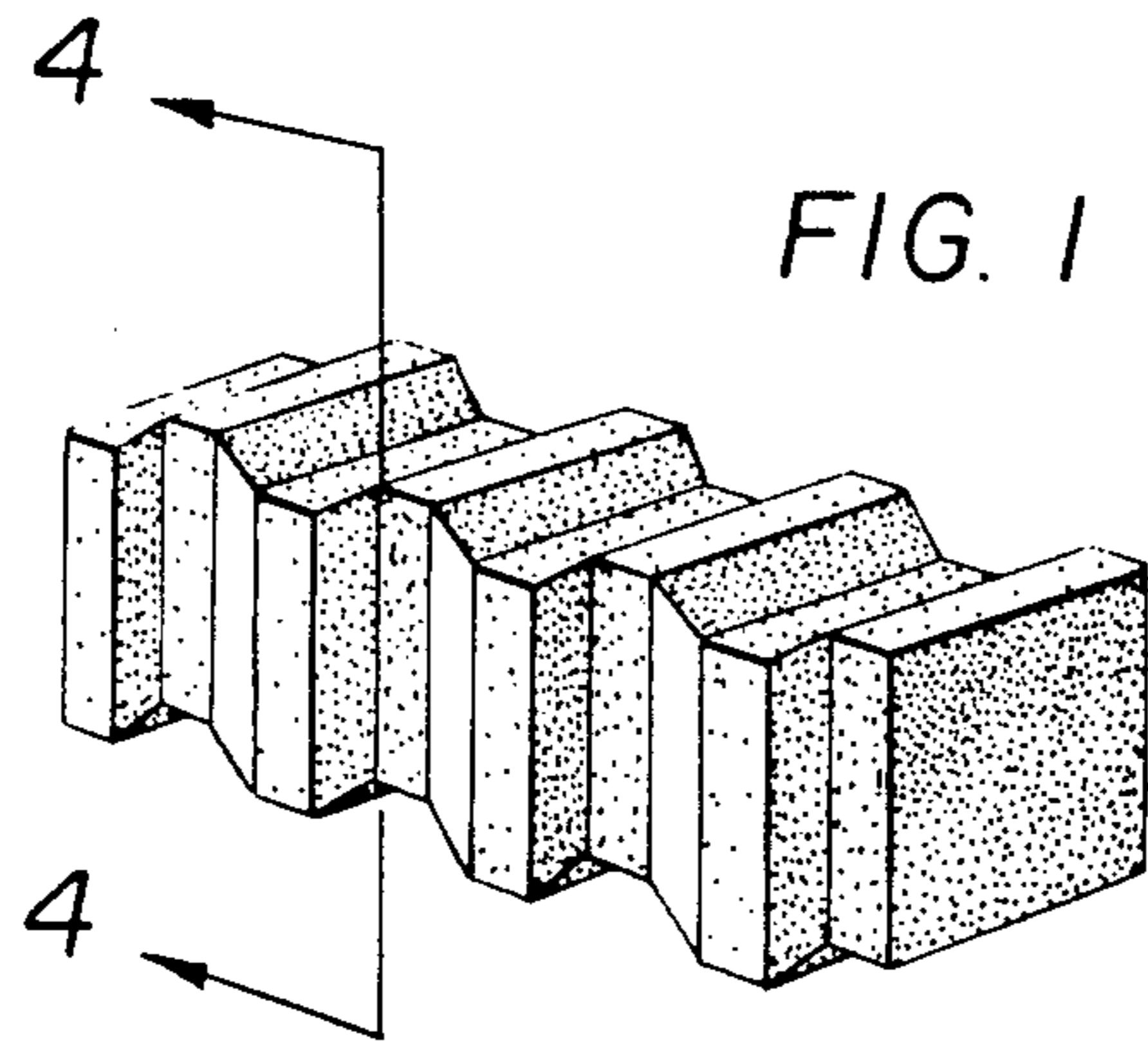


FIG. 3

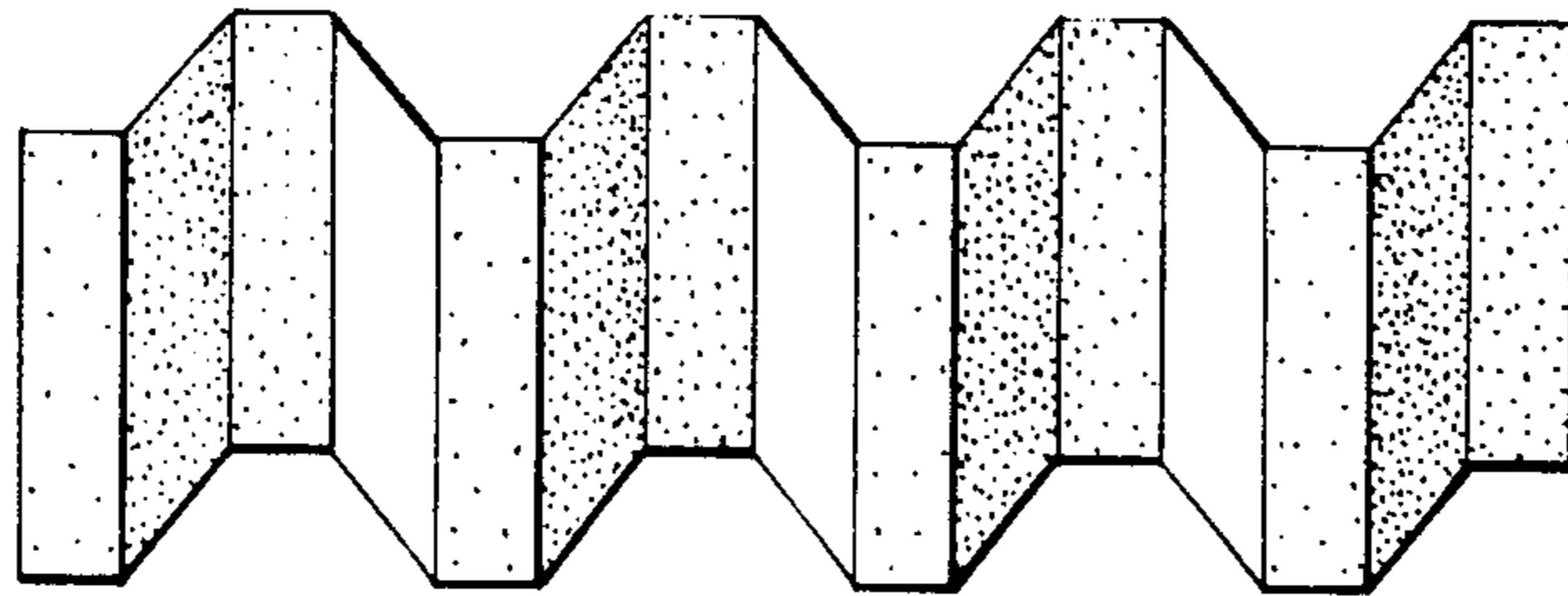


FIG. 2

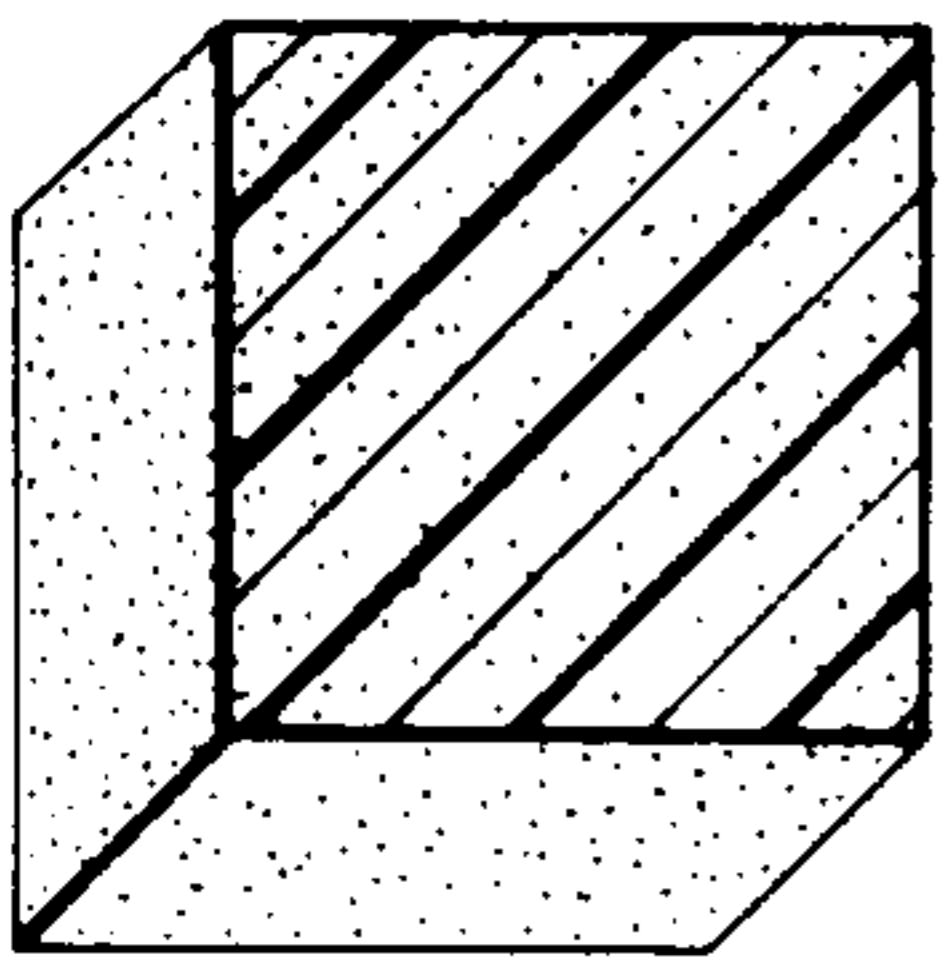


FIG. 4

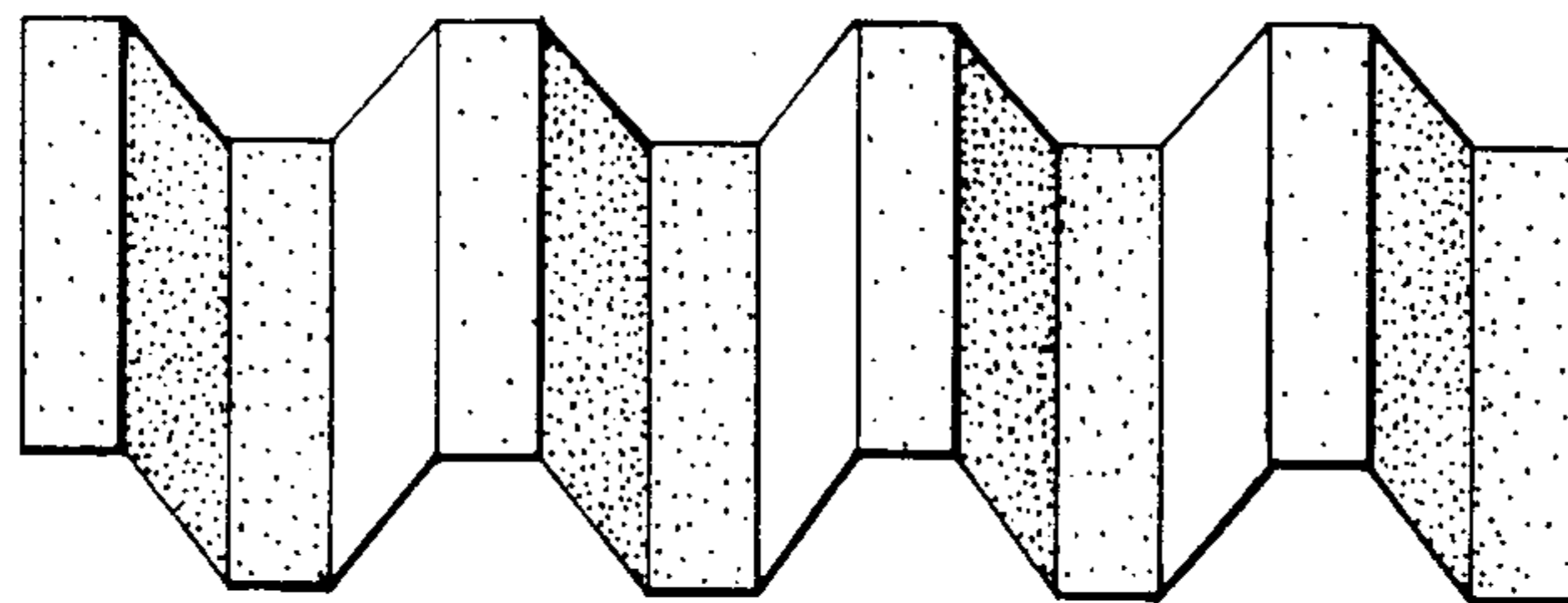


FIG. 5