

- [54] HANDLE FOR A DRAWER OR SIMILAR ARTICLE
- [76] Inventor: Zev Sharon, 1447 Kimberly La., Lakewood, N.J. 08701
- [\*\*] Term: 14 Years
- [21] Appl. No.: 940,861
- [22] Filed: Sep. 8, 1978
- [51] Int. Cl. .... D8-06; D25-01
- [52] U.S. Cl. .... D8/314; D8/300; D25/74
- [58] Field of Search ..... D8/300, 301, 305-307, D8/310-320, 350-353, 400-403; 16/110 R, 111 R, 121, 127; D25/74

D. 246,949 1/1978 Davis ..... D8/300

OTHER PUBLICATIONS

Sweet's Product Design, 1963, Sec. 2d/In, p. 2, Extrusion (top of second col. from left).

Primary Examiner—B. J. Bullock  
Attorney, Agent, or Firm—Arthur L. Plevy

[57] CLAIM

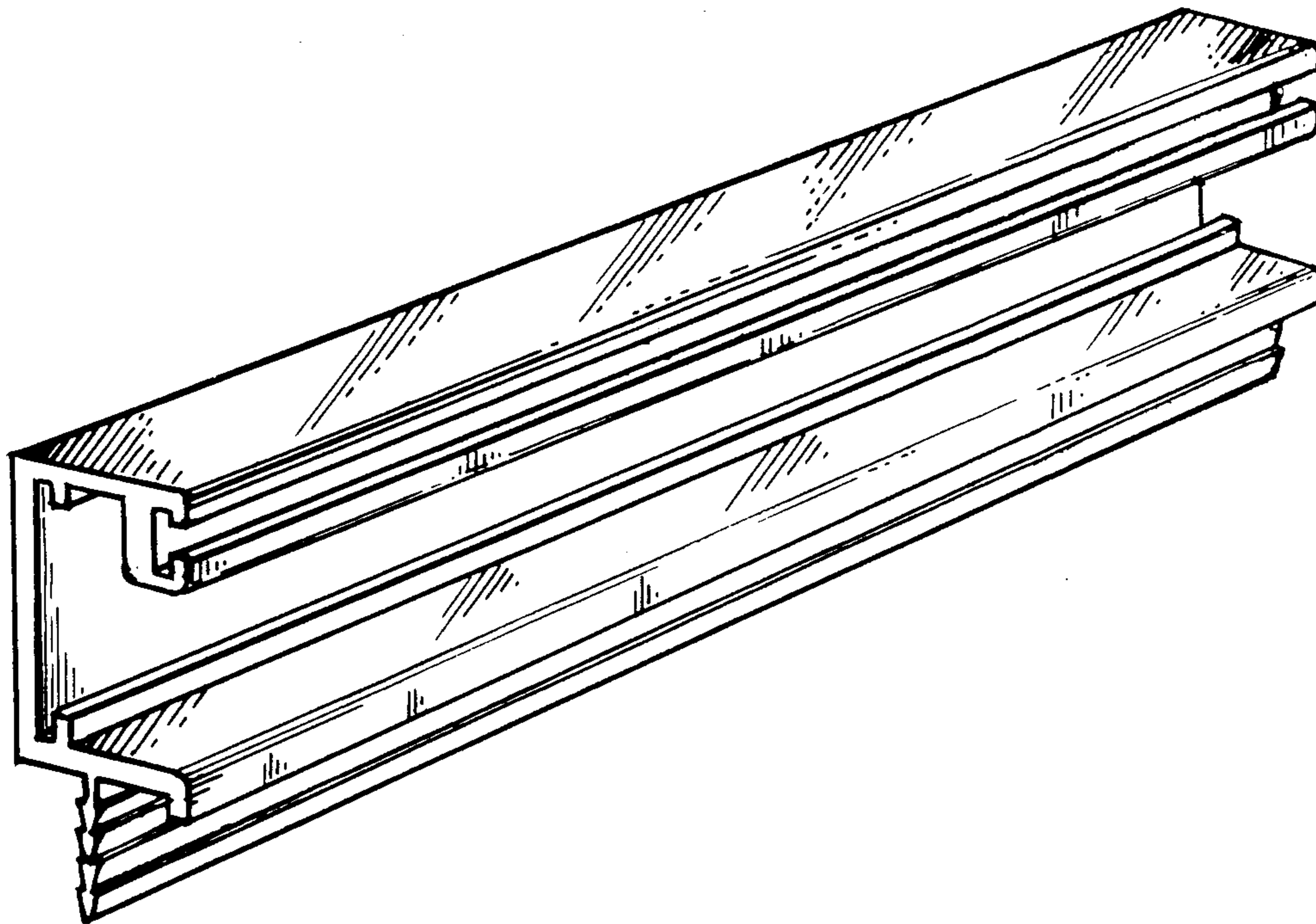
The ornamental design for handle for a drawer or similar article, substantially as shown and described.

DESCRIPTION

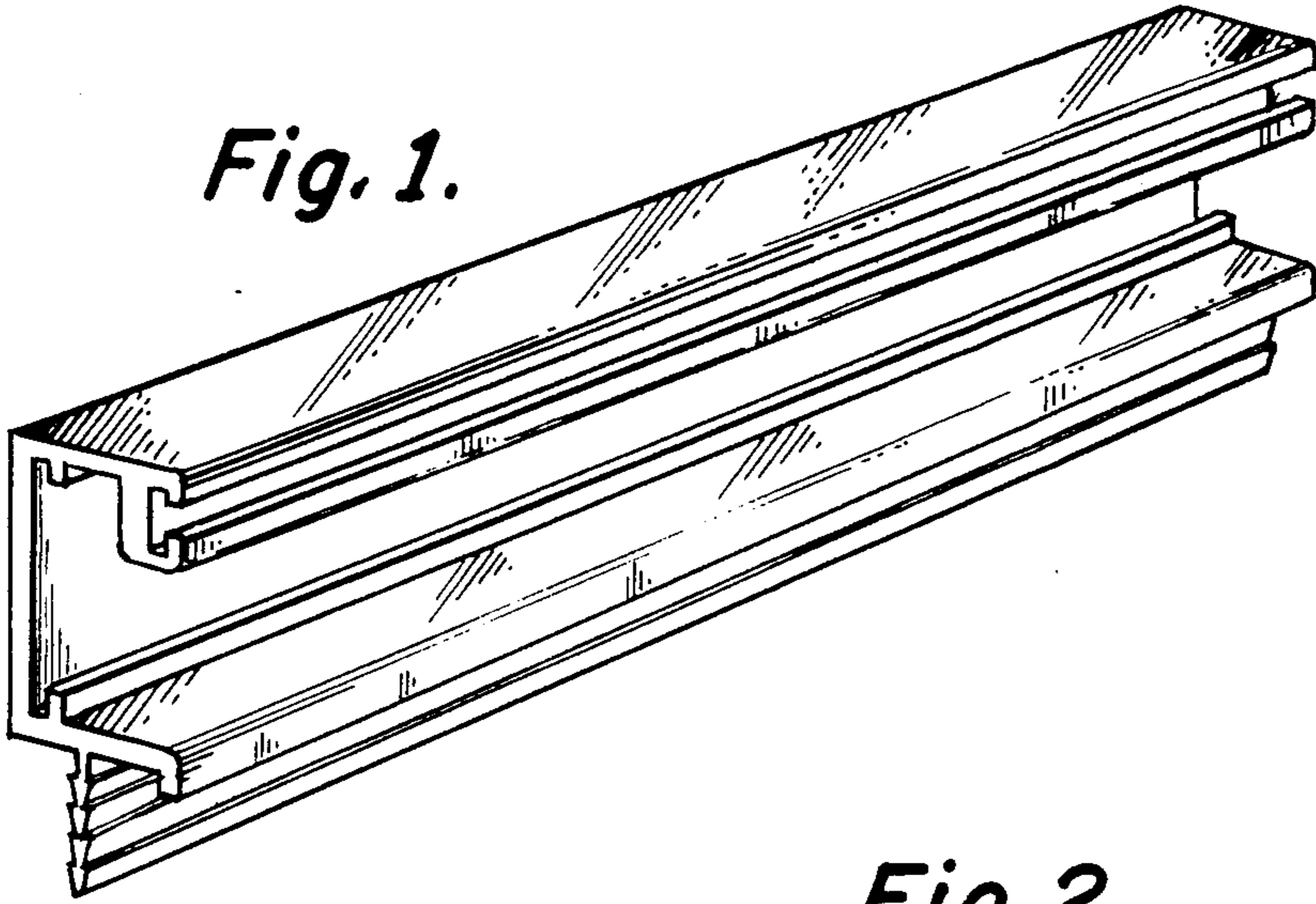
FIG. 1 is a front perspective view of handle for a drawer showing my new design;  
FIG. 2 is a top view;  
FIG. 3 is a bottom view;  
FIG. 4 is an end view;  
FIG. 5 is a rear view;

It is noted that the other end view is substantially identical to the end view of FIG. 4.

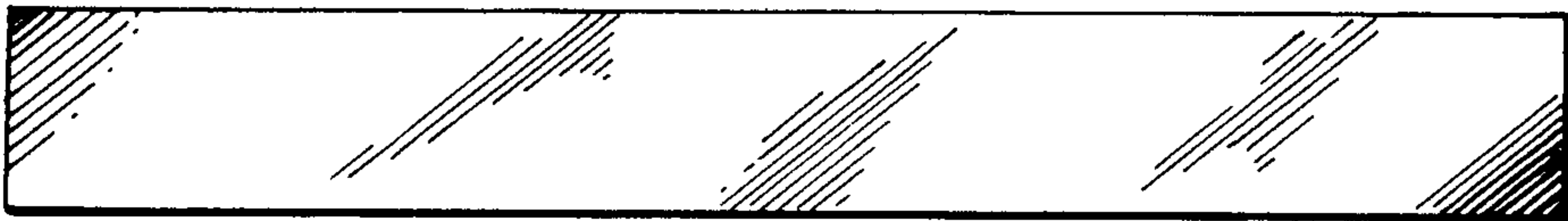
- [56] **References Cited**
- U.S. PATENT DOCUMENTS
- D. 203,385 1/1966 Hinrichs ..... D8/314
- D. 210,116 2/1968 Biegelman ..... D8/319



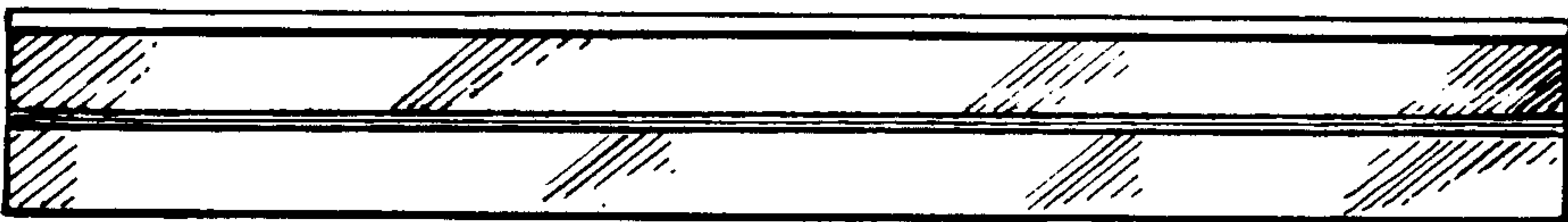
*Fig. 1.*



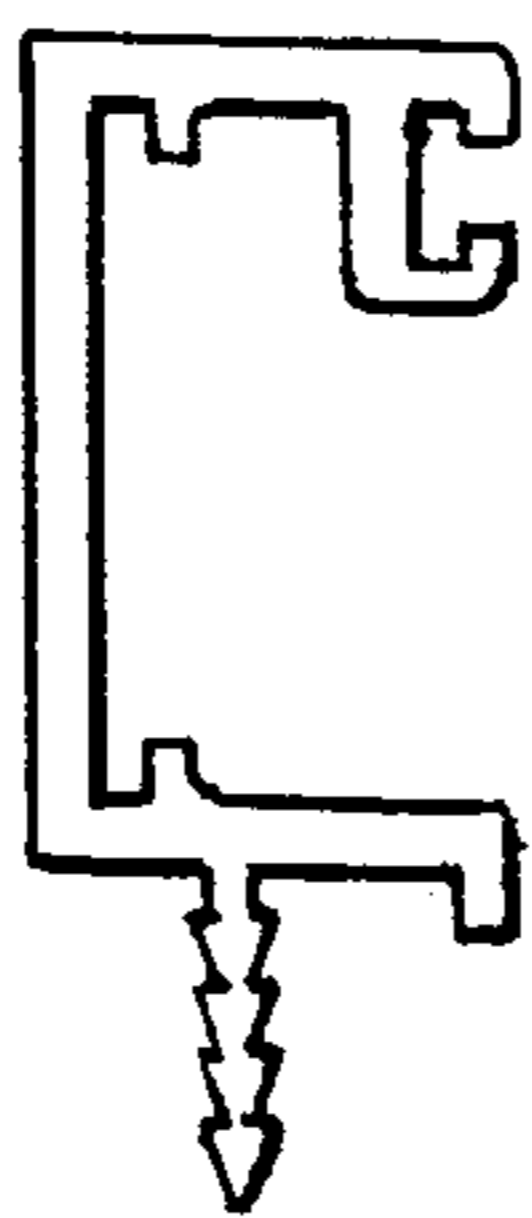
*Fig. 2.*



*Fig. 3.*



*Fig. 4.*



*Fig. 5.*

