

[54] CLOSURE STRAP FOR A CARRYING CASE

[76] Inventor: Albert Merzon, c/o Merzon Leather Co., Inc., 85 N. Third St., Brooklyn, N.Y. 11211

[\*\*] Term: 14 Years

[21] Appl. No.: 866,177

[22] Filed: Dec. 30, 1977

[51] Int. Cl. .... D3-01

[52] U.S. Cl. .... D3/54

[58] Field of Search ..... D3/30, 35, 42, 52, 53, D3/71, 76-79; 150/1.6; 70/67

[56] References Cited

U.S. PATENT DOCUMENTS

D. 106,446 10/1937 Laufman ..... D3/77  
2,675,041 4/1954 Wagner ..... 150/1.6

Primary Examiner—George P. Word  
Attorney, Agent, or Firm—Robert W. Fiddler

[57] CLAIM

The ornamental design for a closure strap for a carrying case, substantially as shown and described.

DESCRIPTION

FIG. 1 is a perspective view of a closure strap for a carrying case showing my new design; FIG. 2 is a front elevational view thereof, the opposite side being plain and unornamented; FIG. 3 is a left side elevational view thereof; FIG. 4 is a top plan view thereof; and FIG. 5 is a bottom plan view thereof.

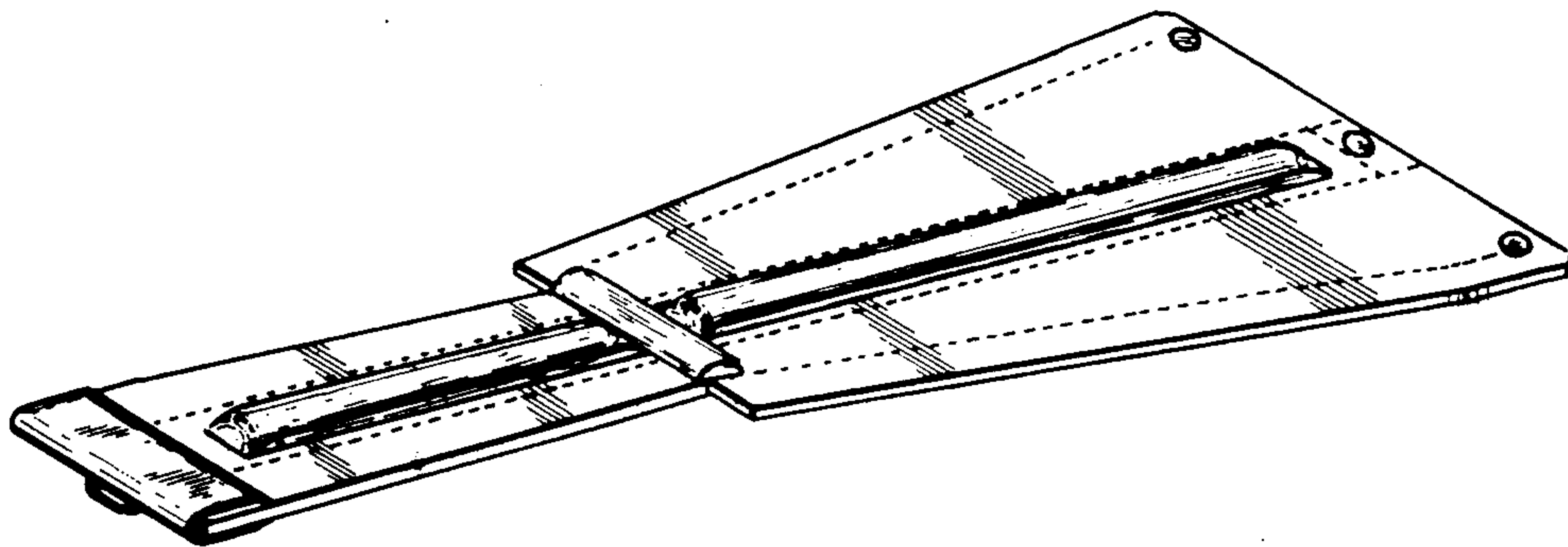


FIG. 1.

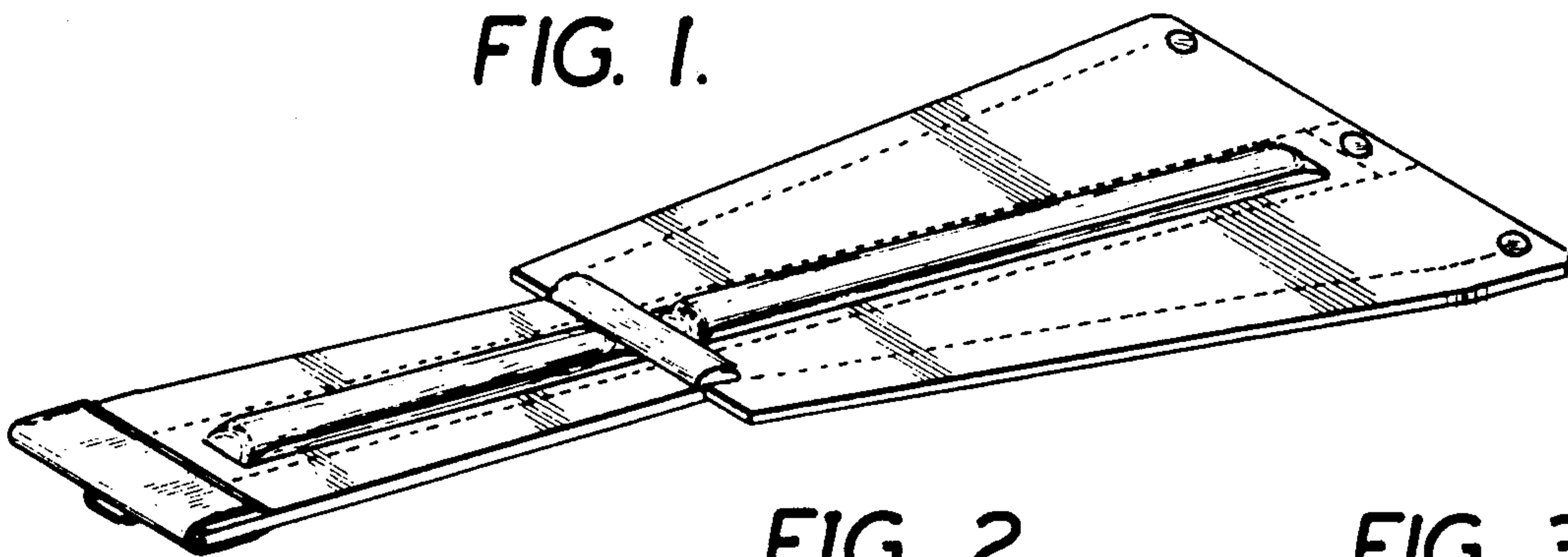


FIG. 2.

FIG. 3.

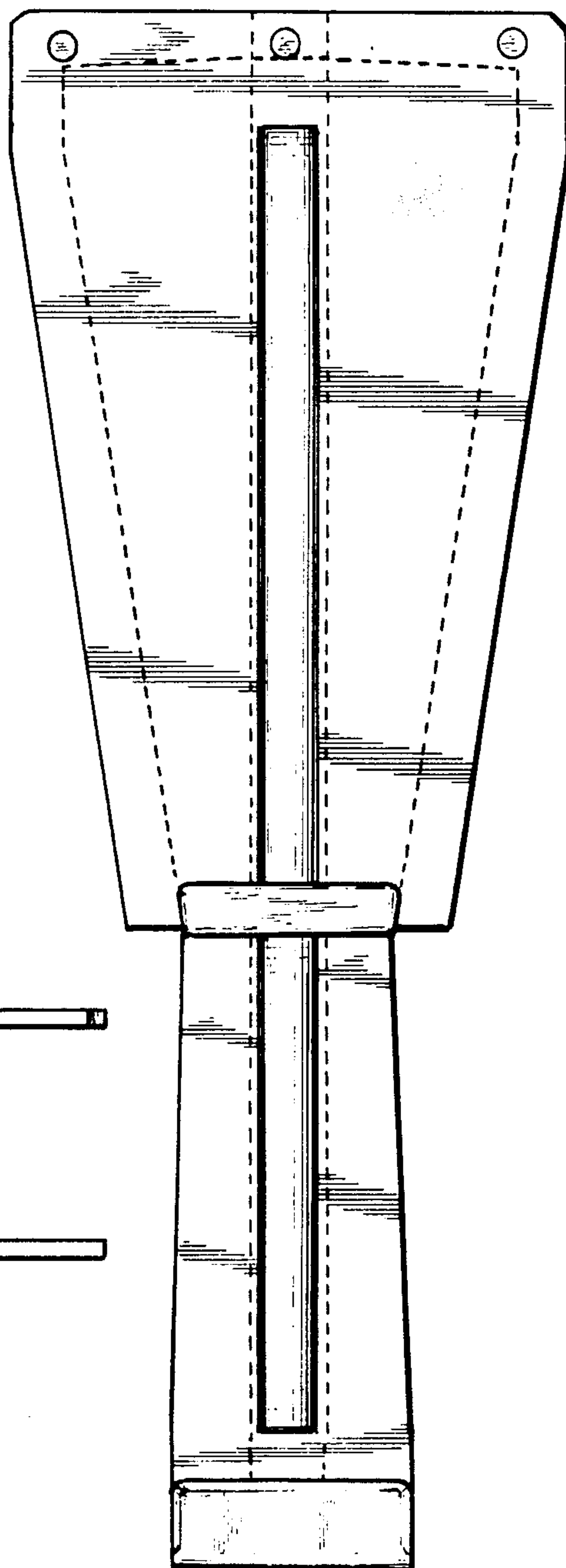


FIG. 4.



FIG. 5.

