

[54] CARRYING POUCH FOR A SPEED SQUARE OR THE LIKE

[76] Inventor: Elmer Tillman, 19600 FM 2100, Crosby, Tex. 77532

[**] Term: 14 Years

[21] Appl. No.: 971,367

[22] Filed: Dec. 20, 1978

[51] Int. Cl. D02-99

[52] U.S. Cl. D2/400

[58] Field of Search D2/400; D22/13, 14; 224/191, 192, 193, 194, 198, 226, 231, 240, 251, 904, 911, 912, 914

[56] References Cited

U.S. PATENT DOCUMENTS

2,576,231	11/1951	Lawson, Jr. et al.	224/912
3,276,646	10/1966	Coggins, Jr.	224/231

OTHER PUBLICATIONS

Goldblatt Cat. 1974, p. 67, Item #05 176 m7.

Primary Examiner—Joel Stearman

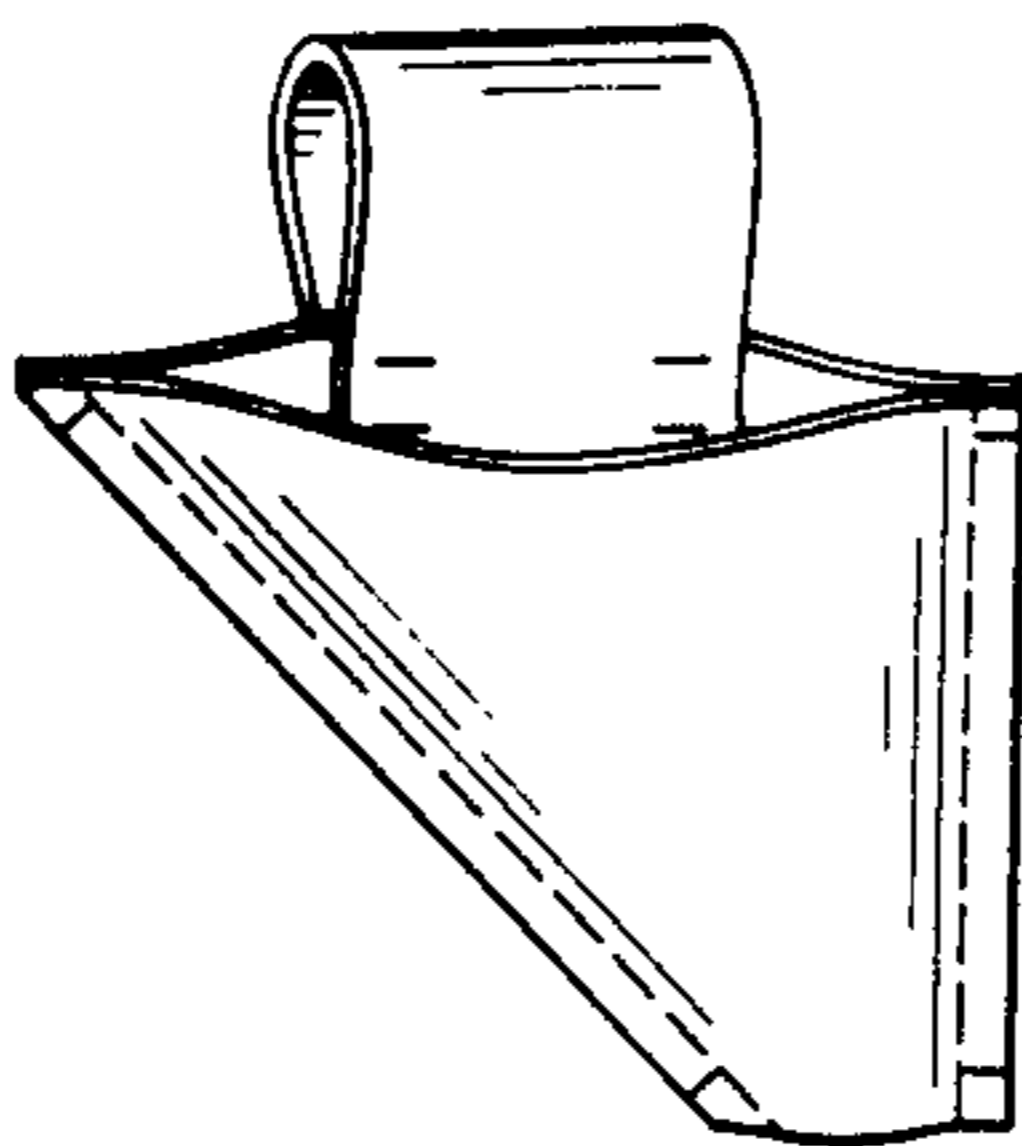
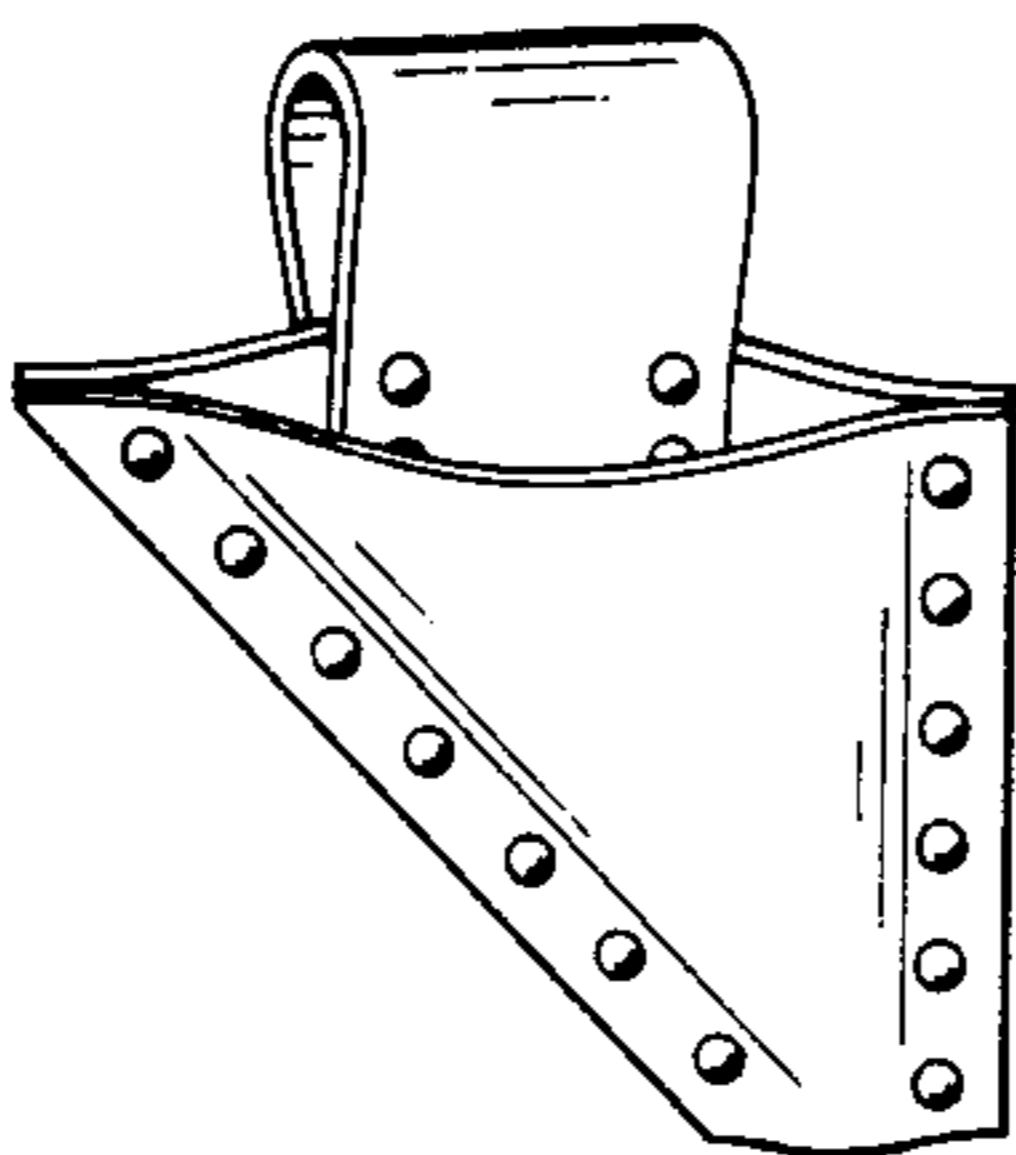
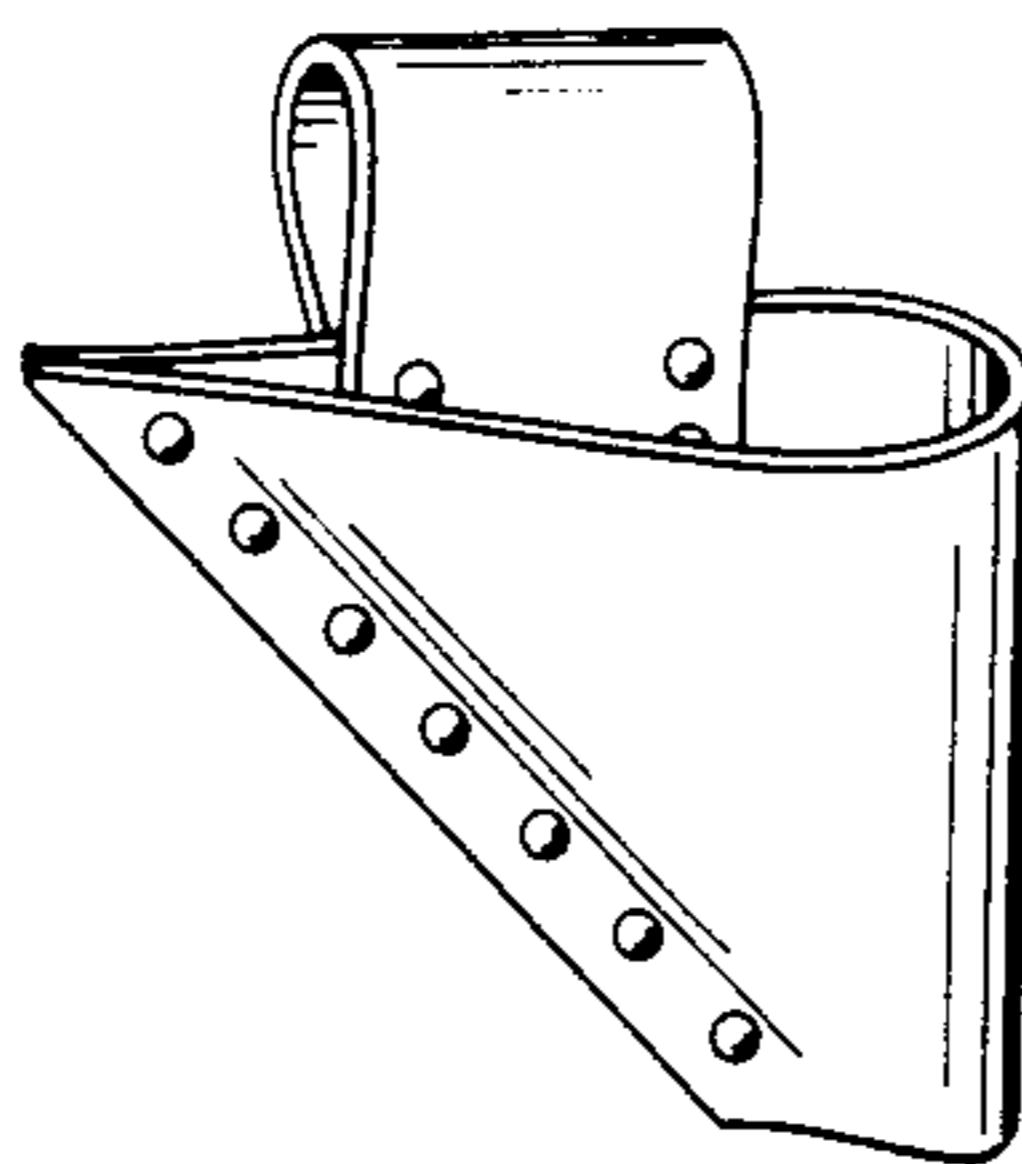
Assistant Examiner—Carmen H. Vales

[57] CLAIM

The ornamental design for a carrying pouch for a speed square or the like, as shown.

DESCRIPTION

FIG. 1 is a front elevational view of a carrying pouch for a speed square or the like showing my new design; FIG. 2 is a front elevational view of a carrying pouch for a speed square or the like in an opposite orientation; FIG. 3 is a front elevational view of a second embodiment for a carrying pouch for a speed square or the like; FIG. 4 is a rear elevational view thereof; FIG. 5 is a front elevational view of a third embodiment of a carrying pouch for a speed square or the like; FIG. 6 is a rear elevational view thereof.



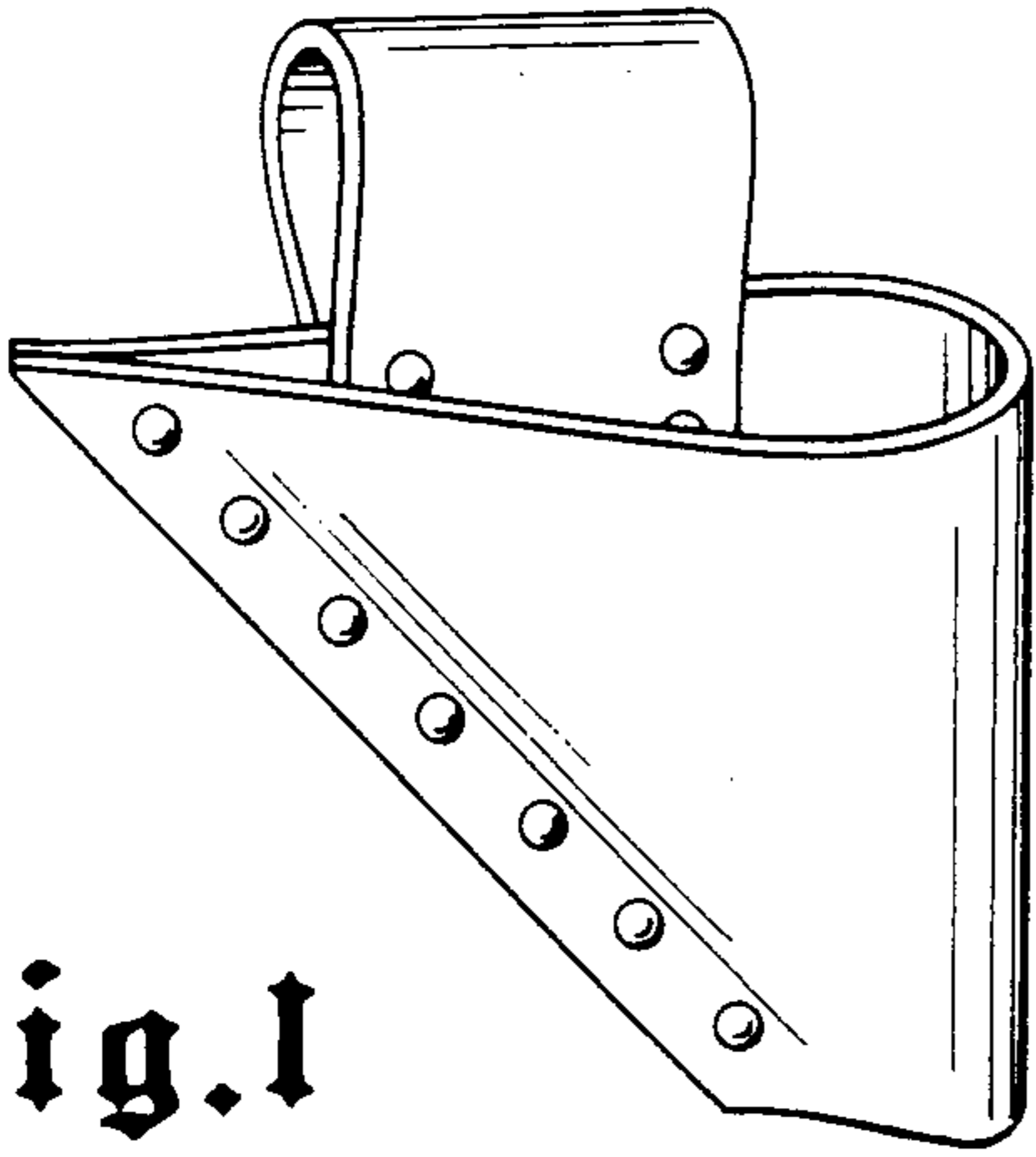


fig.1

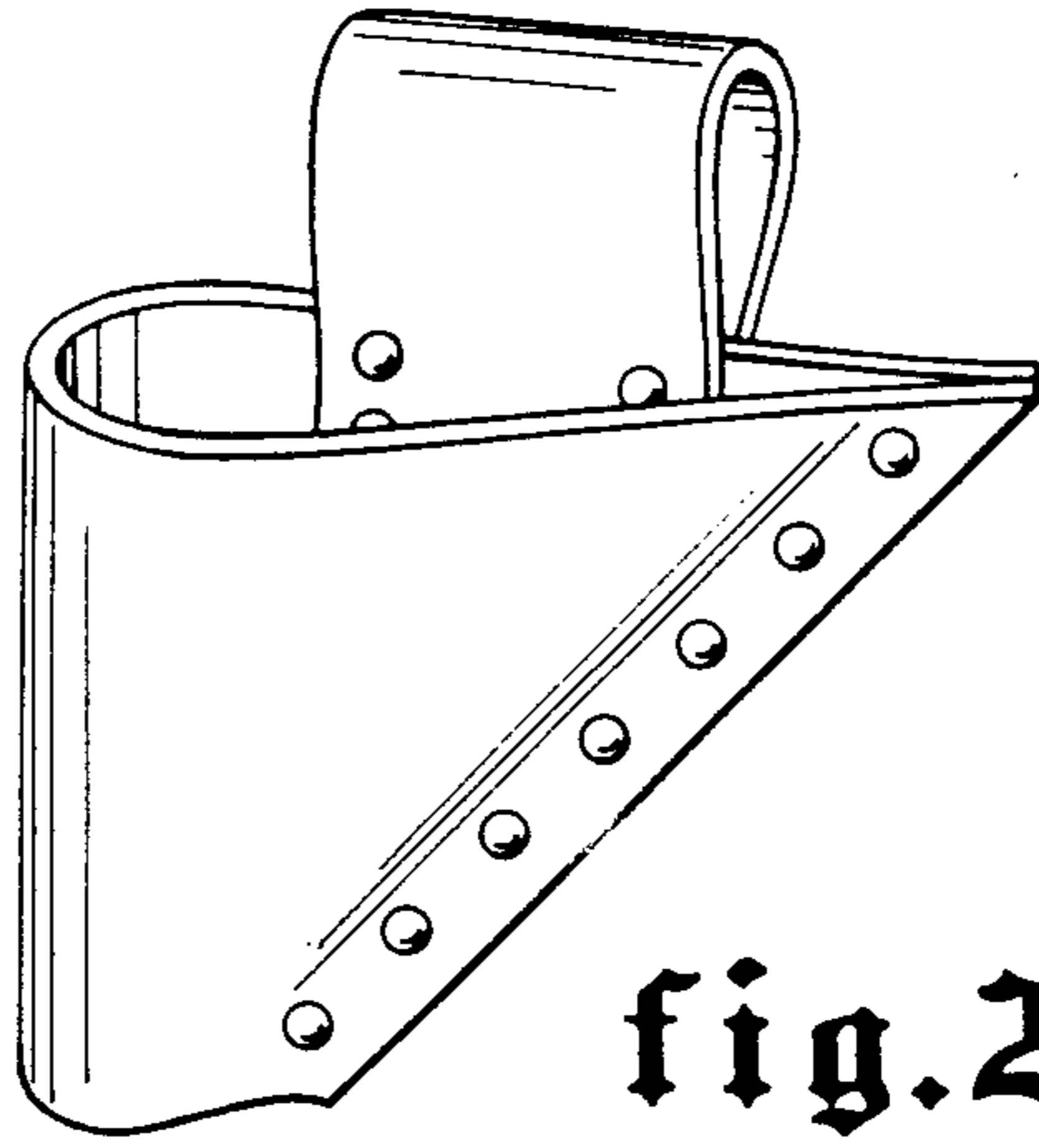


fig.2

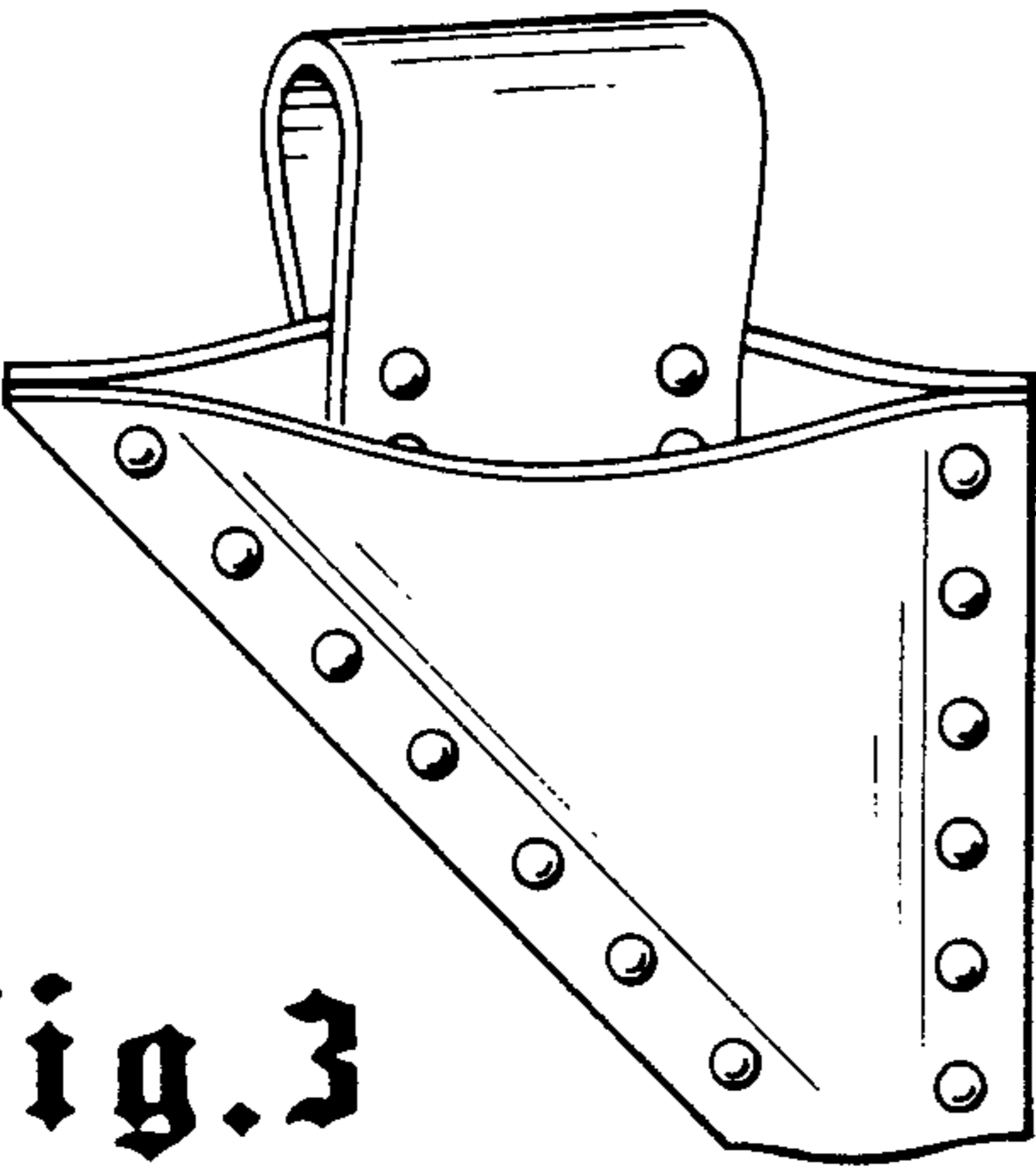


fig.3

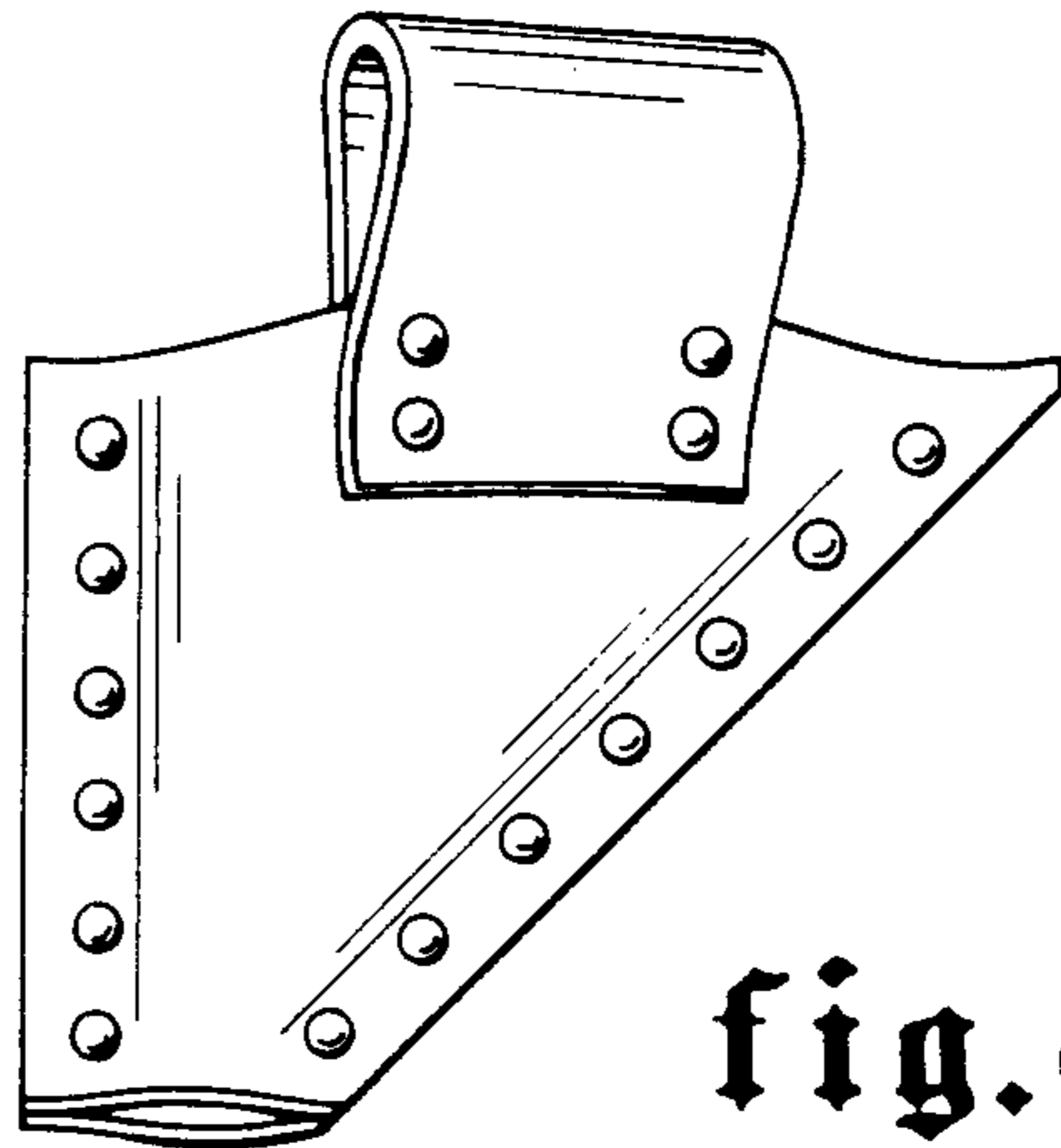


fig.4

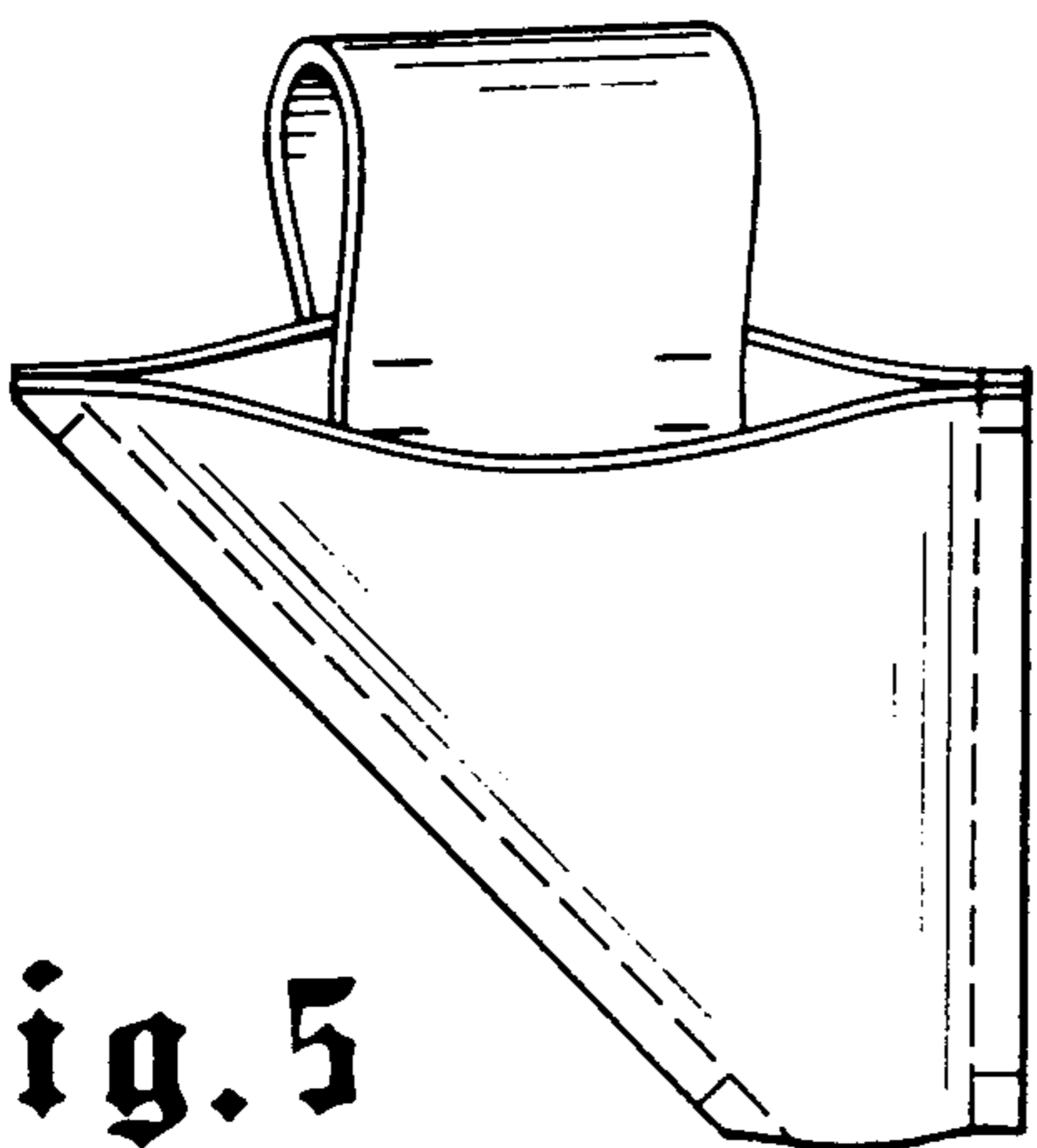


fig.5

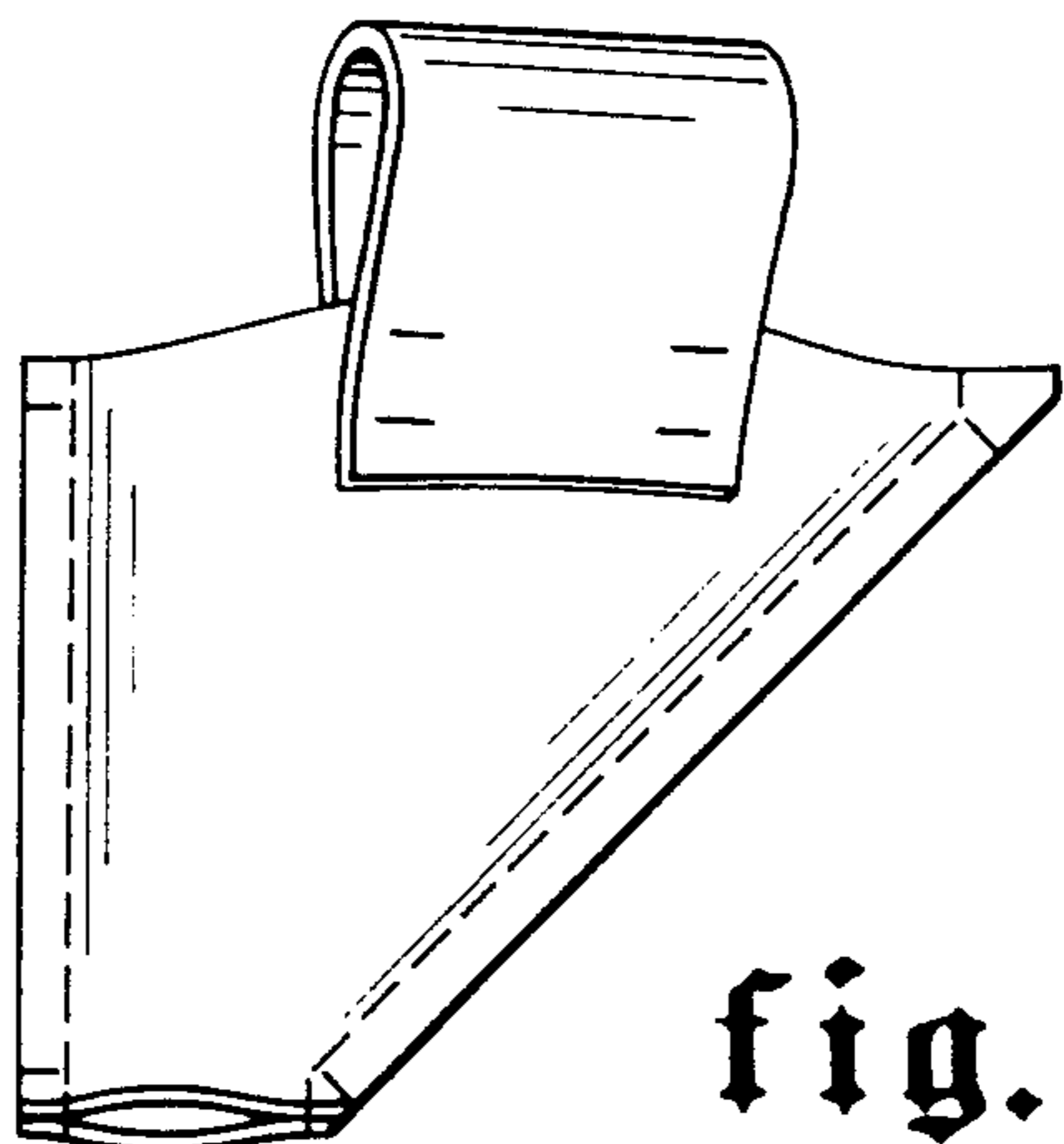


fig.6