

[54] ANKLE BAG

[76] Inventor: Walter Kravchenko, P.O. Box 5636, San Juan, P.R. 00905

[\*\*] Term: 14 Years

[21] Appl. No.: 912,241

[22] Filed: Jun. 5, 1978

Primary Examiner—George P. Word  
Attorney, Agent, or Firm—Sheldon Palmer

[57] CLAIM

The ornamental design for an ankle bag, as shown and described.

DESCRIPTION

[63] Continuation of Ser. No. 749,476, Dec. 10, 1976, abandoned.

[51] Int. Cl. .... D2-99

[52] U.S. Cl. .... D2/383; D2/229; D2/402; D3/58; D3/60

[58] Field of Search ..... D3/30, 48, 52, 56-58, D3/60, 78; D24/64; D2/400, 402, 383, 229; 150/1; 224/219, 222, 223, 267; D11/2

[56] References Cited

U.S. PATENT DOCUMENTS

D. 141,919	7/1945	Stewart	.....	D2/229
D. 242,172	11/1976	Borenstein	.....	D24/64
D. 248,258	6/1978	Munari	.....	D2/383
D. 249,939	10/1978	Dammons	.....	D11/2
597,325	1/1898	Prickett	.....	D3/52
2,459,992	1/1949	Cimino	.....	224/222
3,322,311	5/1967	Homer	.....	224/222

FIG. 1 is a top plan view of an ankle bag showing my new design;  
 FIG. 2 is a front elevational view thereof;  
 FIG. 3 is a left side elevational view thereof;  
 FIG. 4 is a right side elevational view;  
 FIG. 5 is a rear elevational view;  
 FIG. 6 is a bottom plan view;  
 FIG. 7 is a top plan view of an alternate embodiment of the ankle bag;  
 FIG. 8 is a front elevational view thereof;  
 FIG. 9 is a left side elevational view thereof;  
 FIG. 10 is a right side elevational view;  
 FIG. 11 is a rear elevational view; and  
 FIG. 12 is a bottom plan view.  
 The partial showing of surface shading indicating a fabric texture is understood to be continuous on those surfaces where shown.

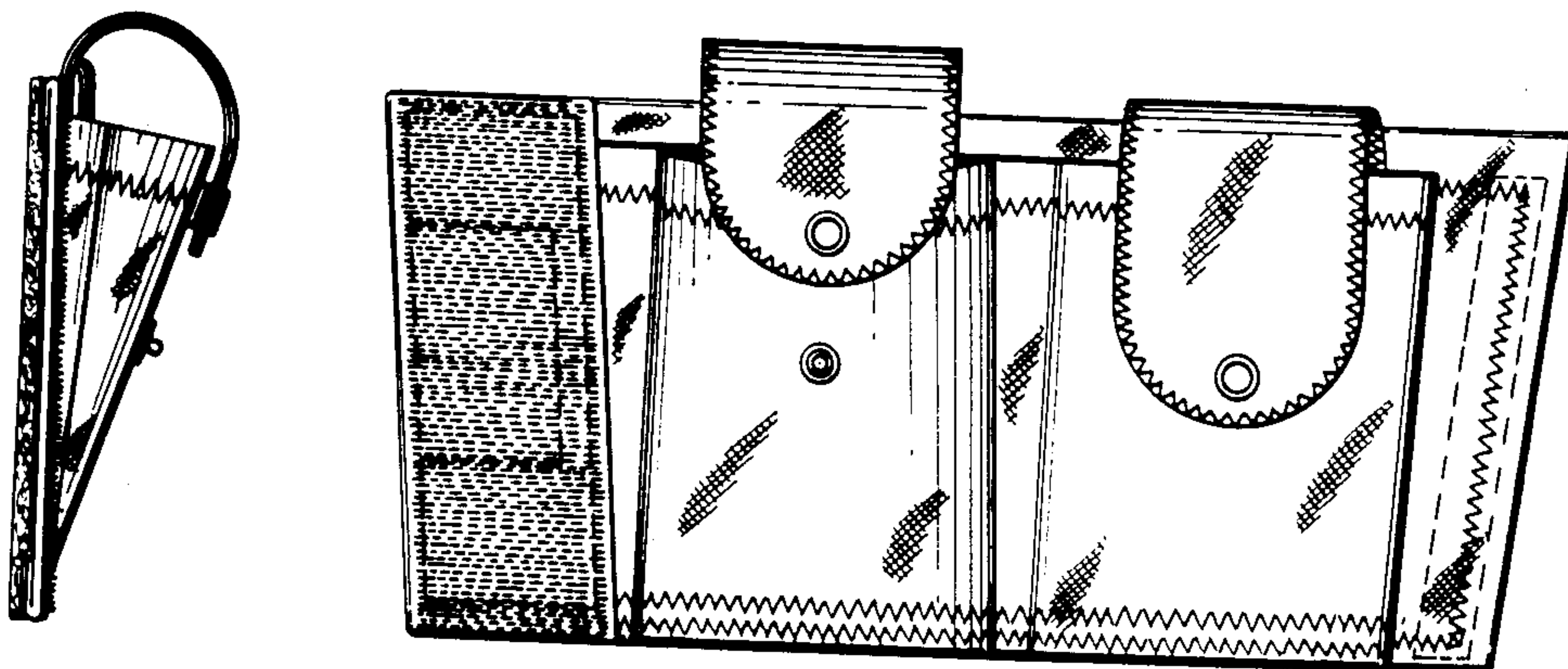


FIG. 1

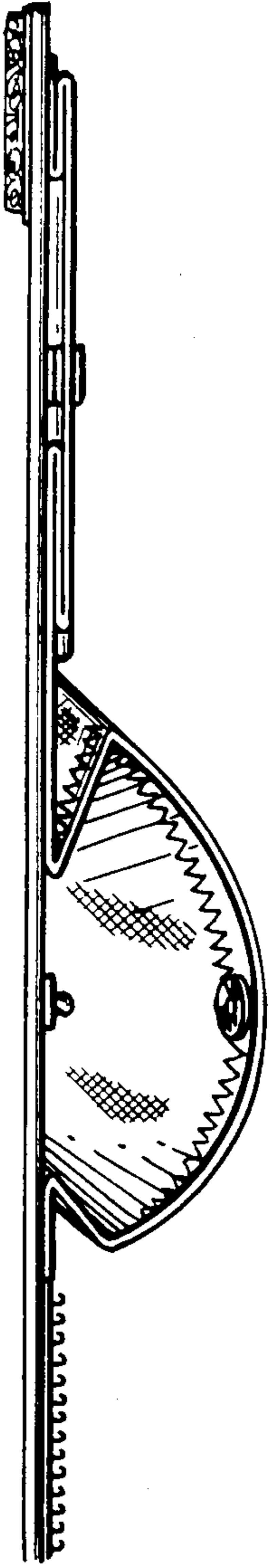


FIG. 2

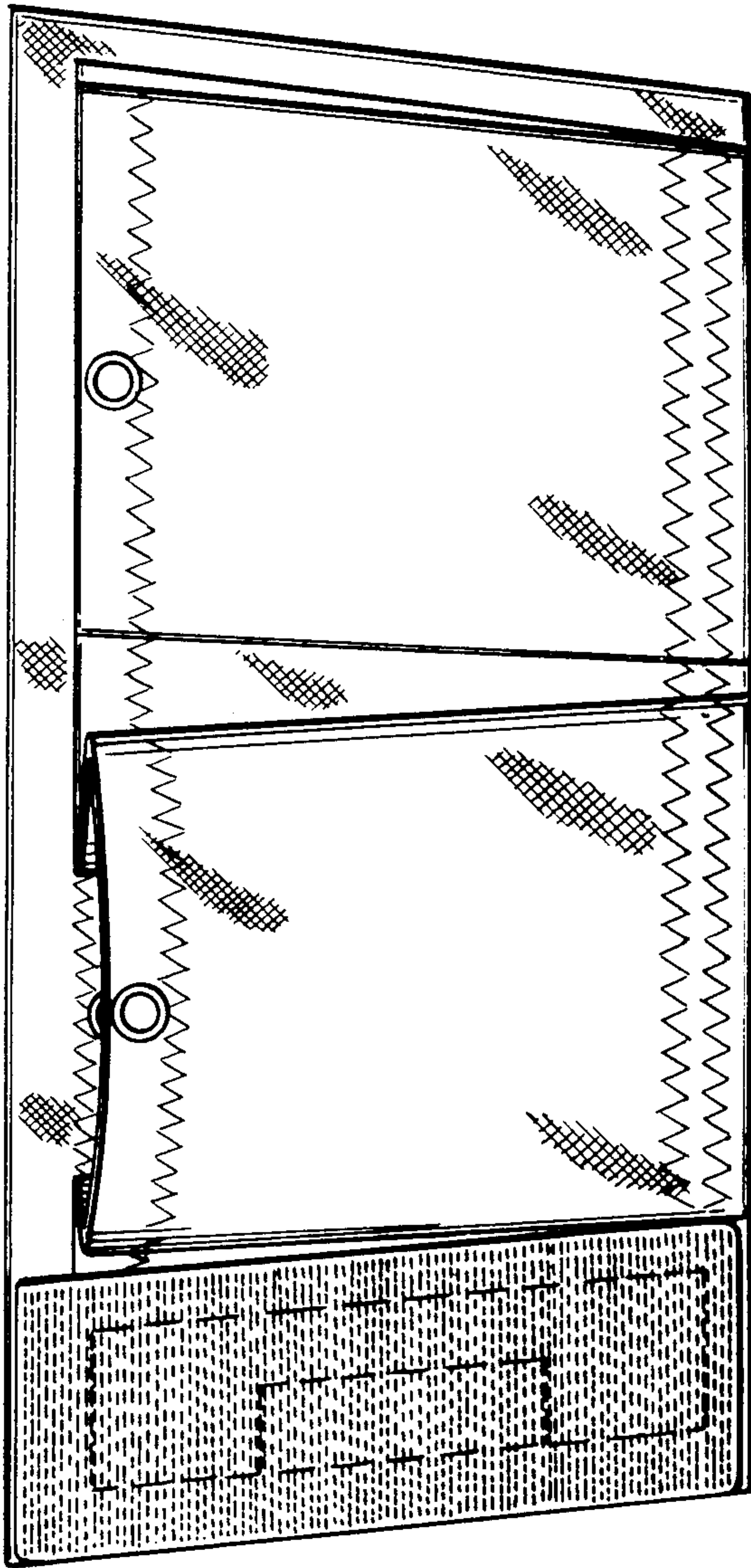


FIG. 3

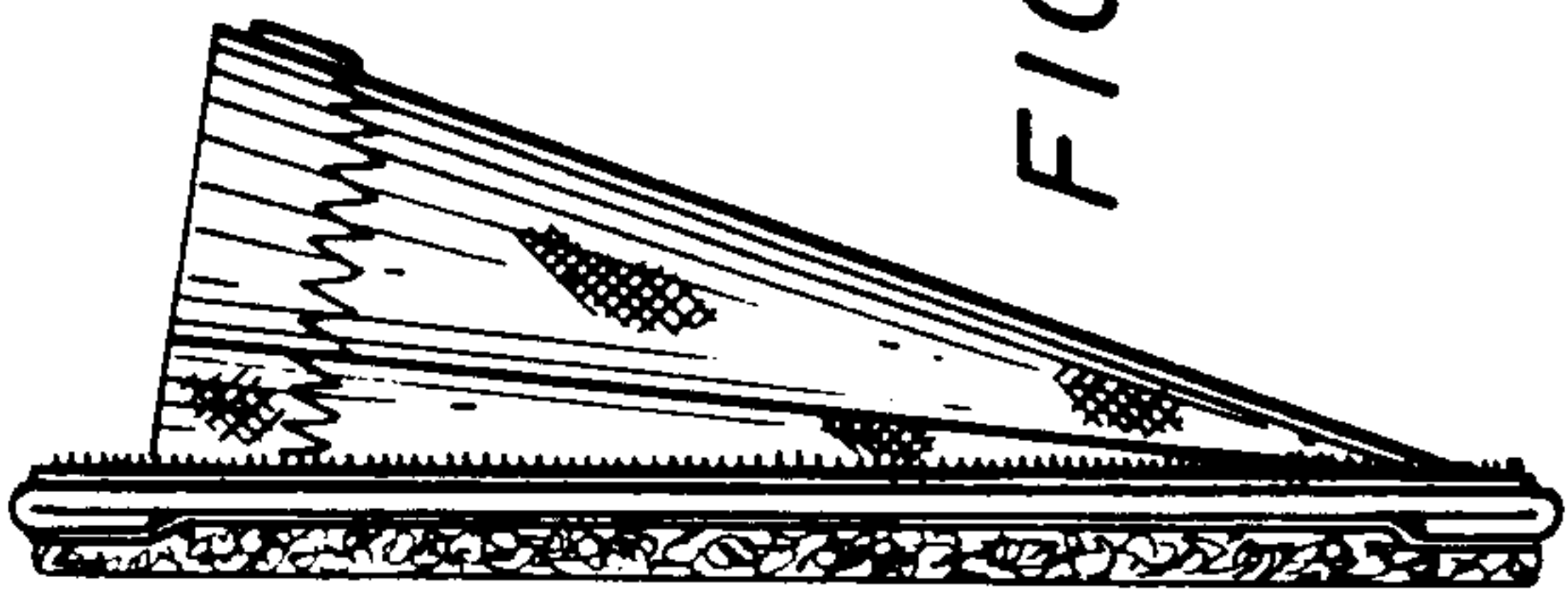


FIG. 4

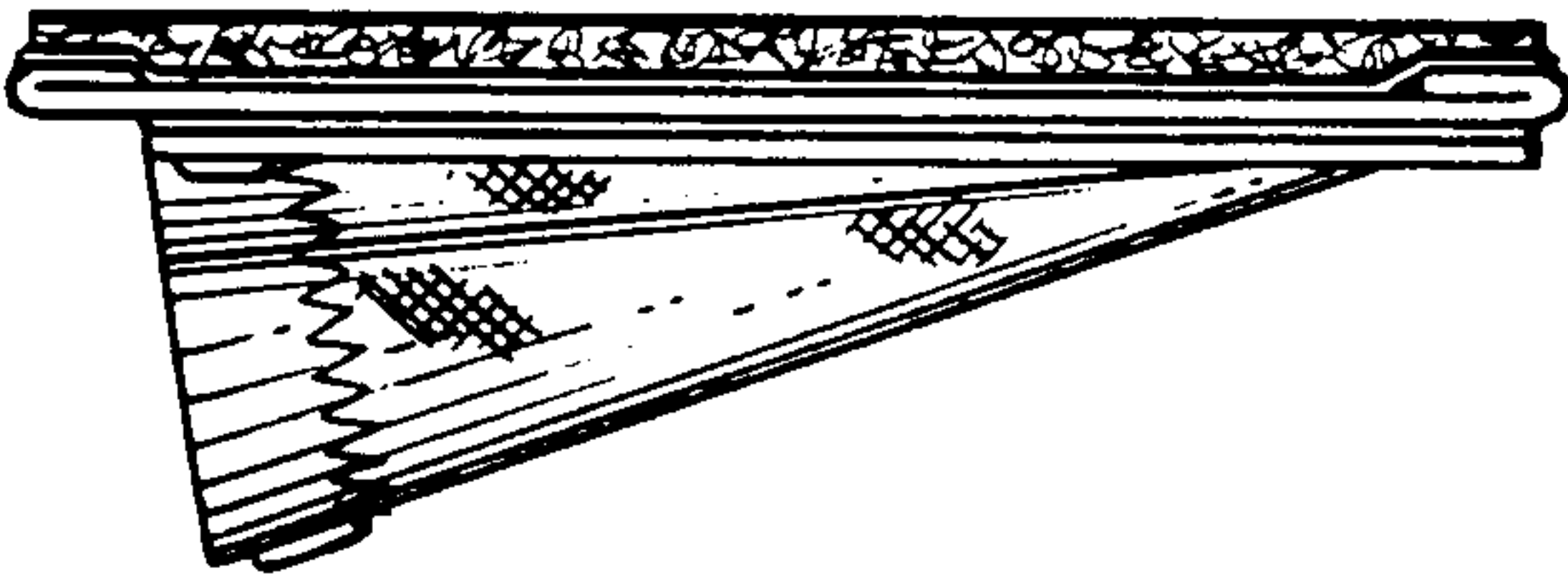


FIG. 5

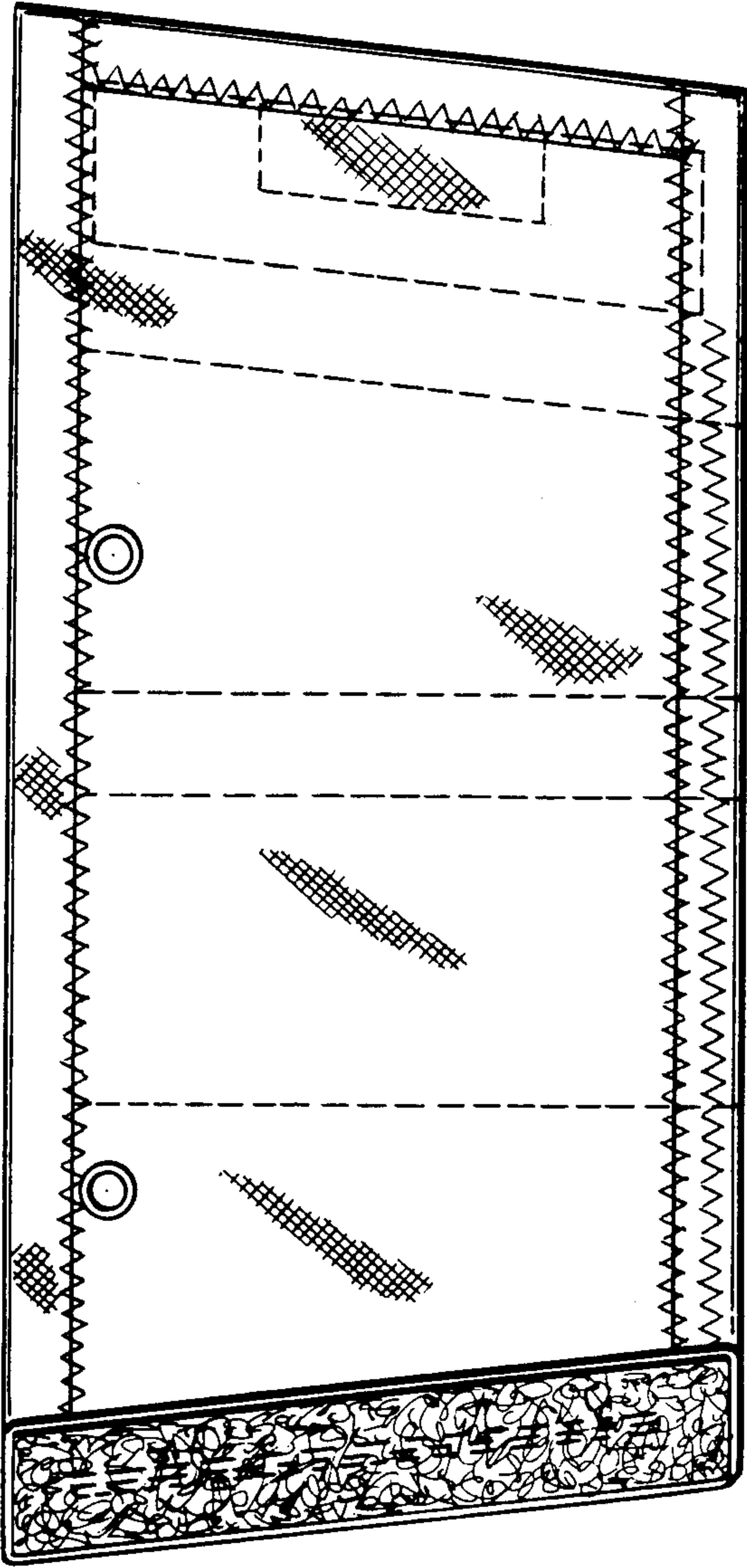


FIG. 6

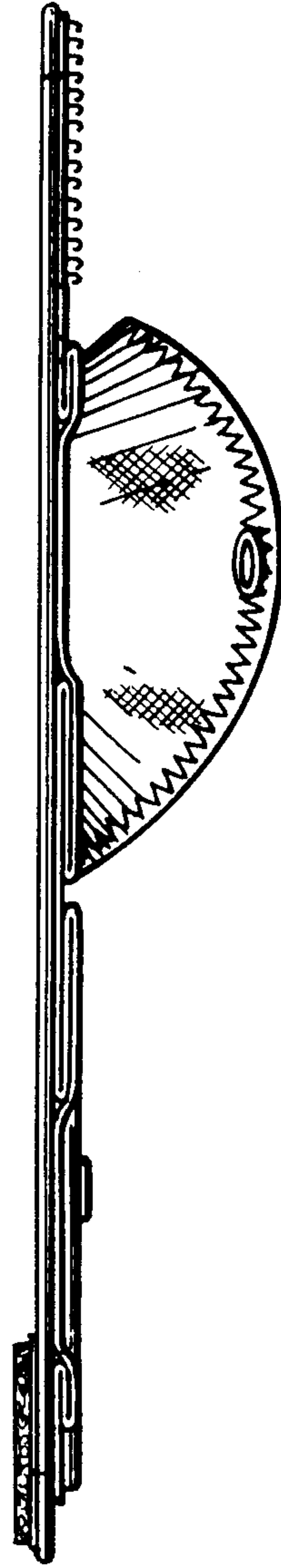




FIG. 7

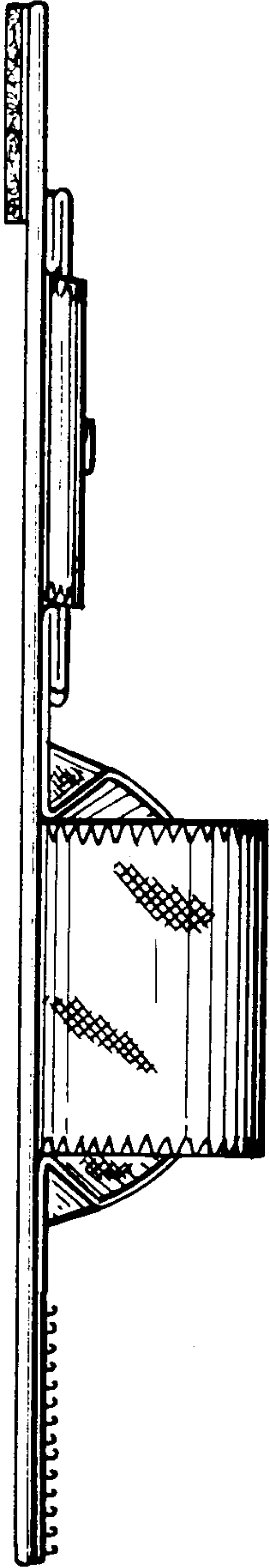


FIG. 8

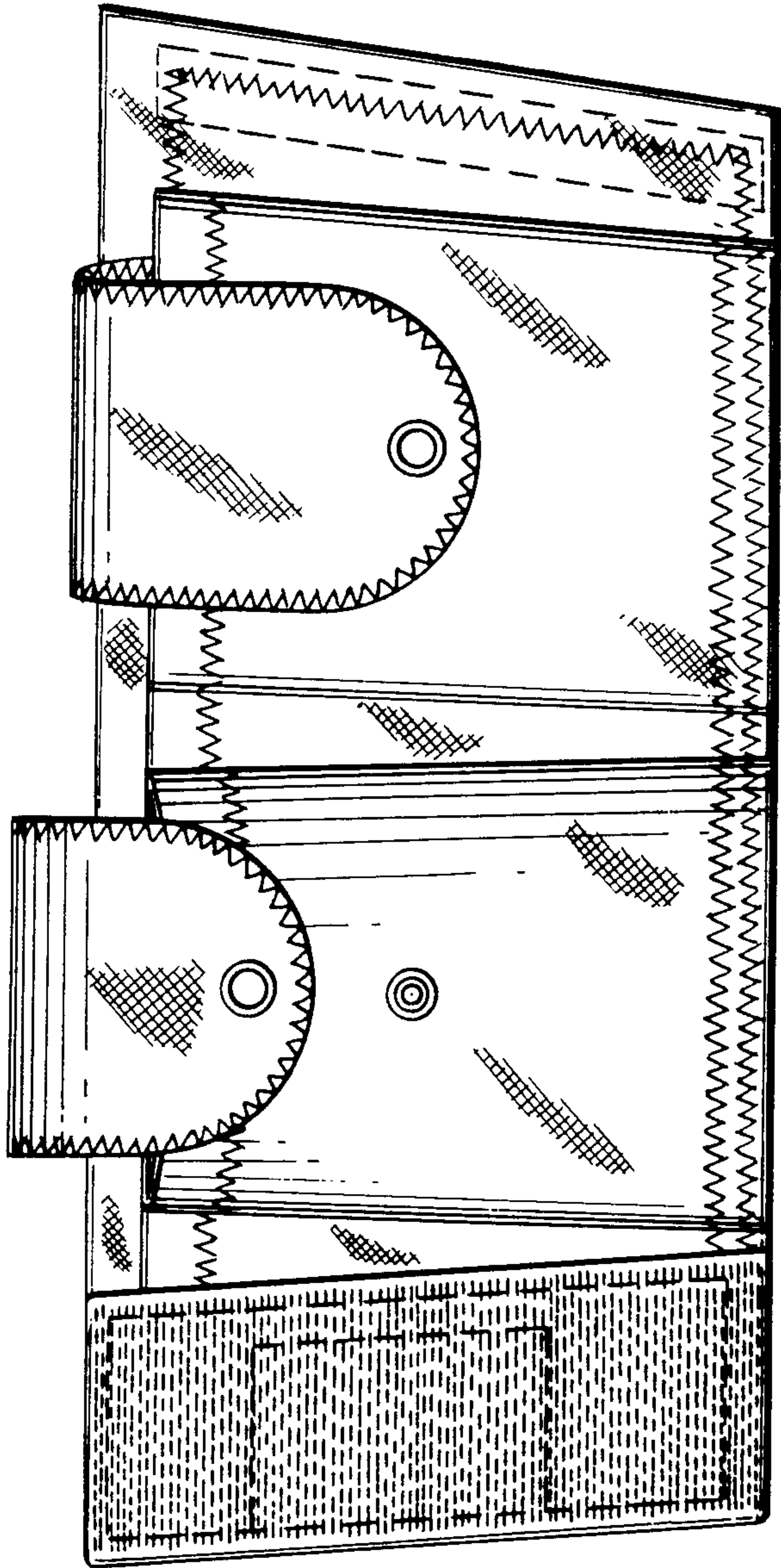


FIG. 9

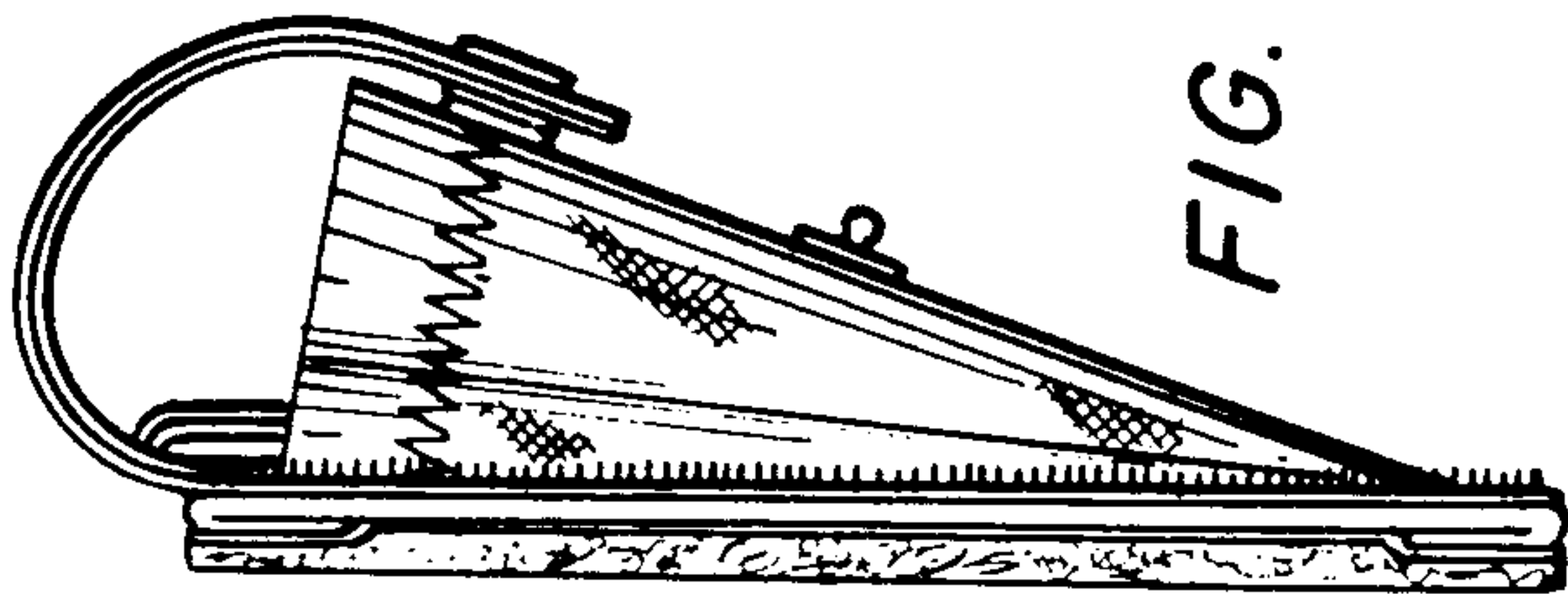


FIG. 11

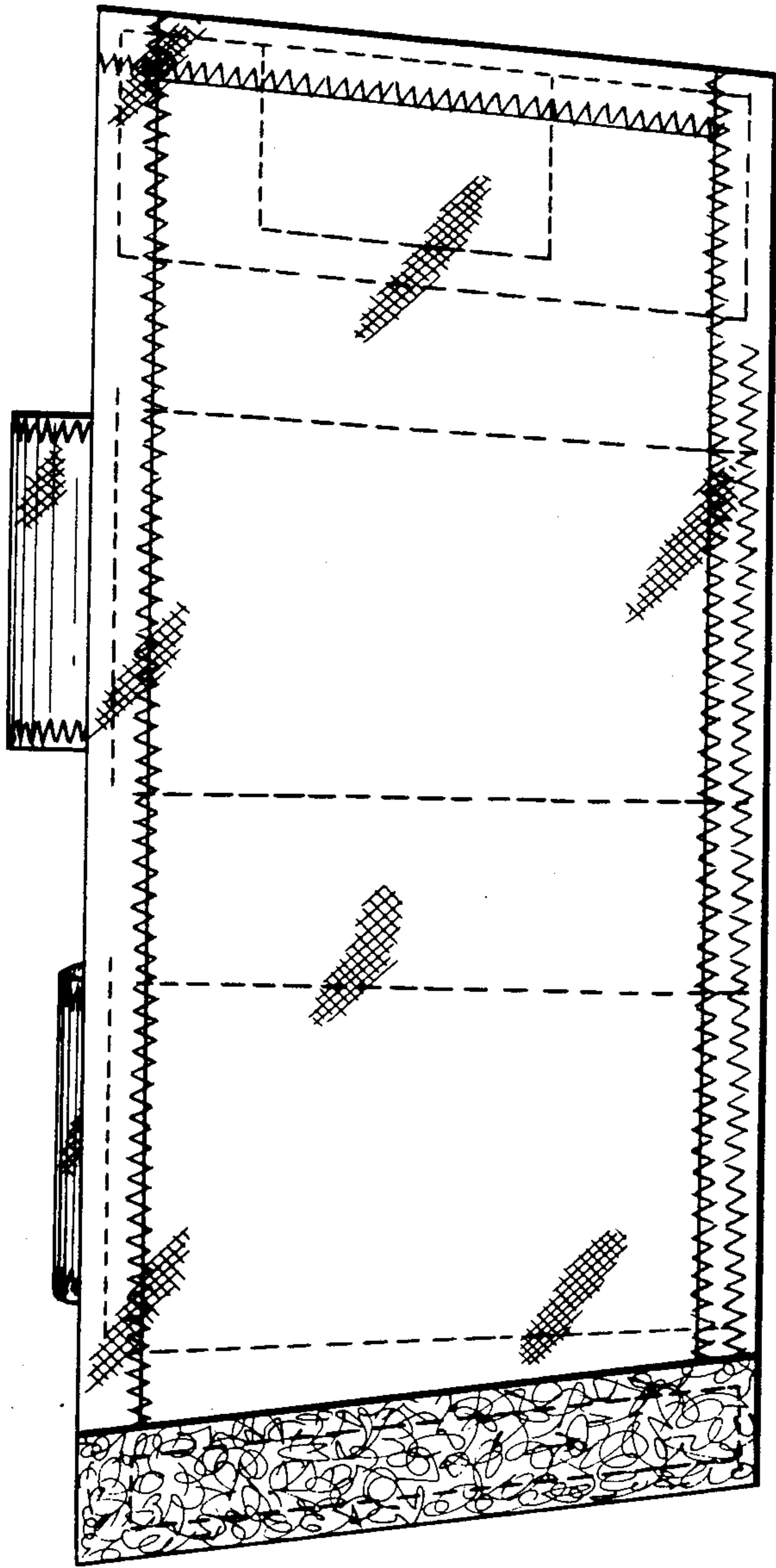


FIG. 10

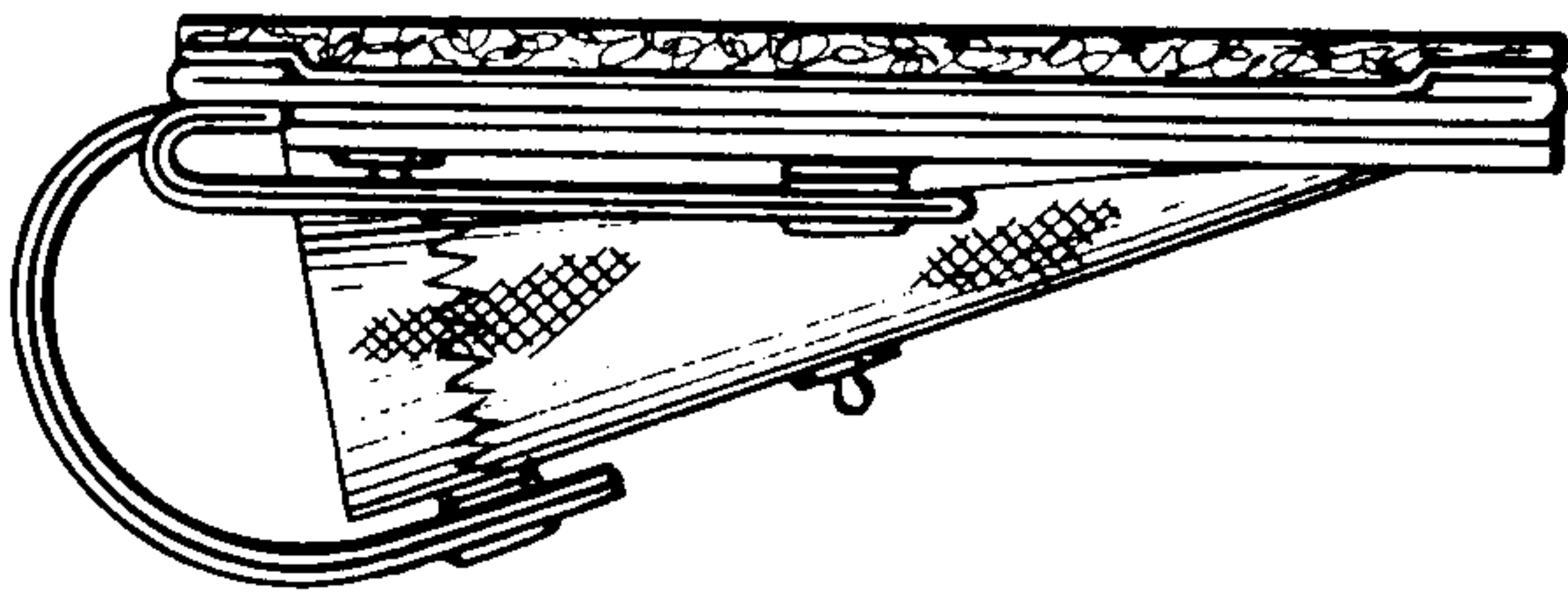


FIG. 12

