

- [54] **COSMETIC APPLICATOR OR SIMILAR ARTICLE**
- [75] Inventors: **Yuzo Takada**, Los Angeles; **Sang Y. Rim**, Cerritos, both of Calif.
- [73] Assignee: **Arigato Fashions, Incorporated**, Los Angeles, Calif.
- [**] Term: **14 Years**
- [21] Appl. No.: **959,992**
- [22] Filed: **Nov. 13, 1978**
- [51] Int. Cl. **D28—03**
- [52] U.S. Cl. **D28/7; D4/38; D4/39**
- [58] Field of Search **D28/7, 9, 56, 57, 62, D28/99; D4/13, 20, 24, 25, 31, 35, 38, 39, 99; D21/222; D7/151; D24/28, 30; 128/260; 15/159-160, 167 R, 167 B; 132/1 R, 85, 88.5, 88.7, DIG. 3**

- [56] **References Cited**
- U.S. PATENT DOCUMENTS**
- D. 227,825 7/1973 Runckel D4/25
- D. 238,281 12/1975 Cali D7/151
- 2,304,319 12/1942 Saltzman D4/25
- 3,358,599 12/1967 Bau D28/7 X

OTHER PUBLICATIONS

Mademoiselle, for Mar. 1967, p. 82—Brush at lower right. Scalloped Chopstick Commercially available prior to applicants' invention.

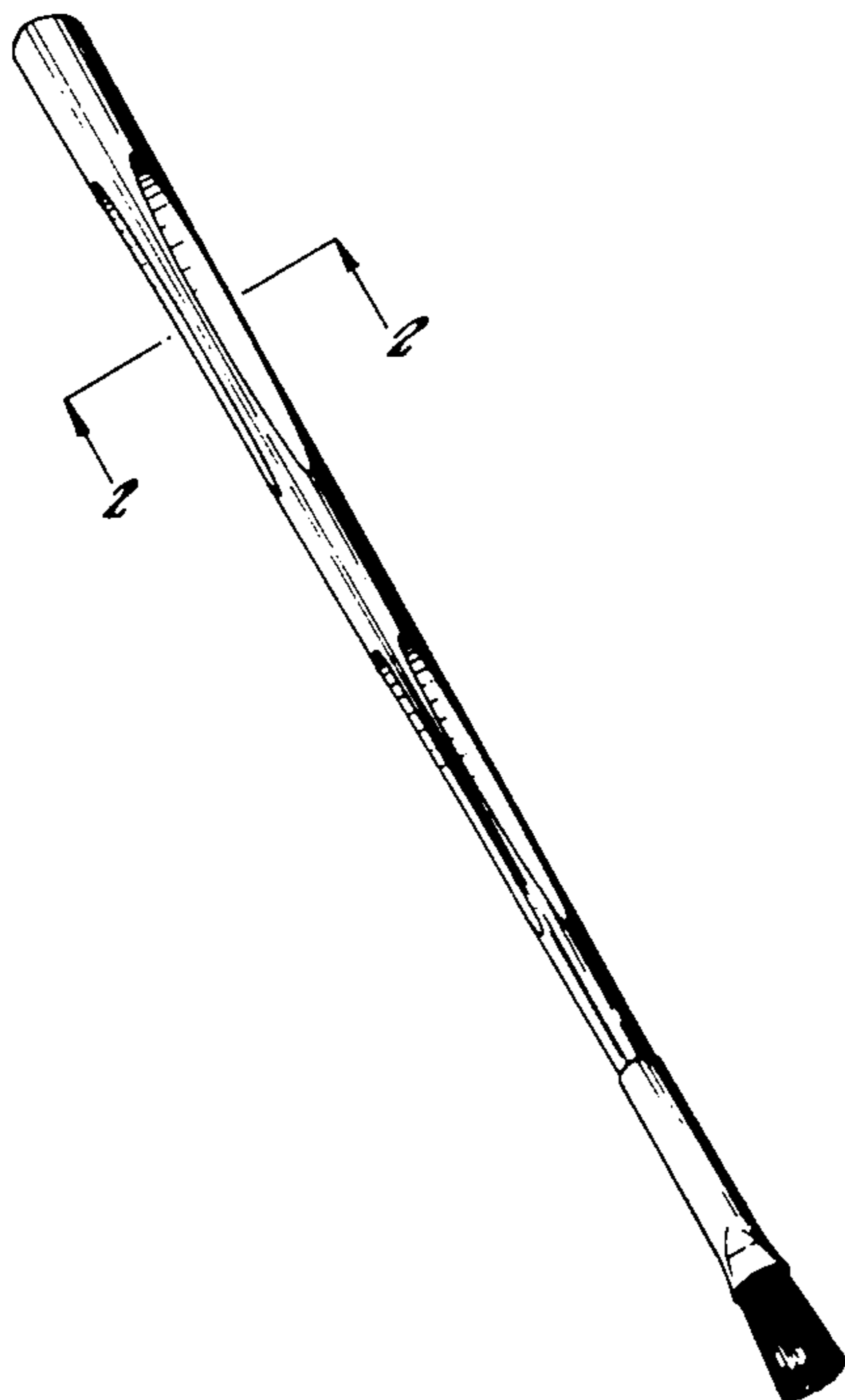
Primary Examiner—Louis S. Zarfes
Attorney, Agent, or Firm—John B. Young

[57] **CLAIM**

The ornamental design for a cosmetic applicator or similar article, as shown and described.

DESCRIPTION

FIG. 1 is a perspective view of a cosmetic applicator or similar article showing our new design; and FIG. 2 is a cross-sectional view of the cosmetic applicator of FIG. 1 taken along line 2—2 in FIG. 1.



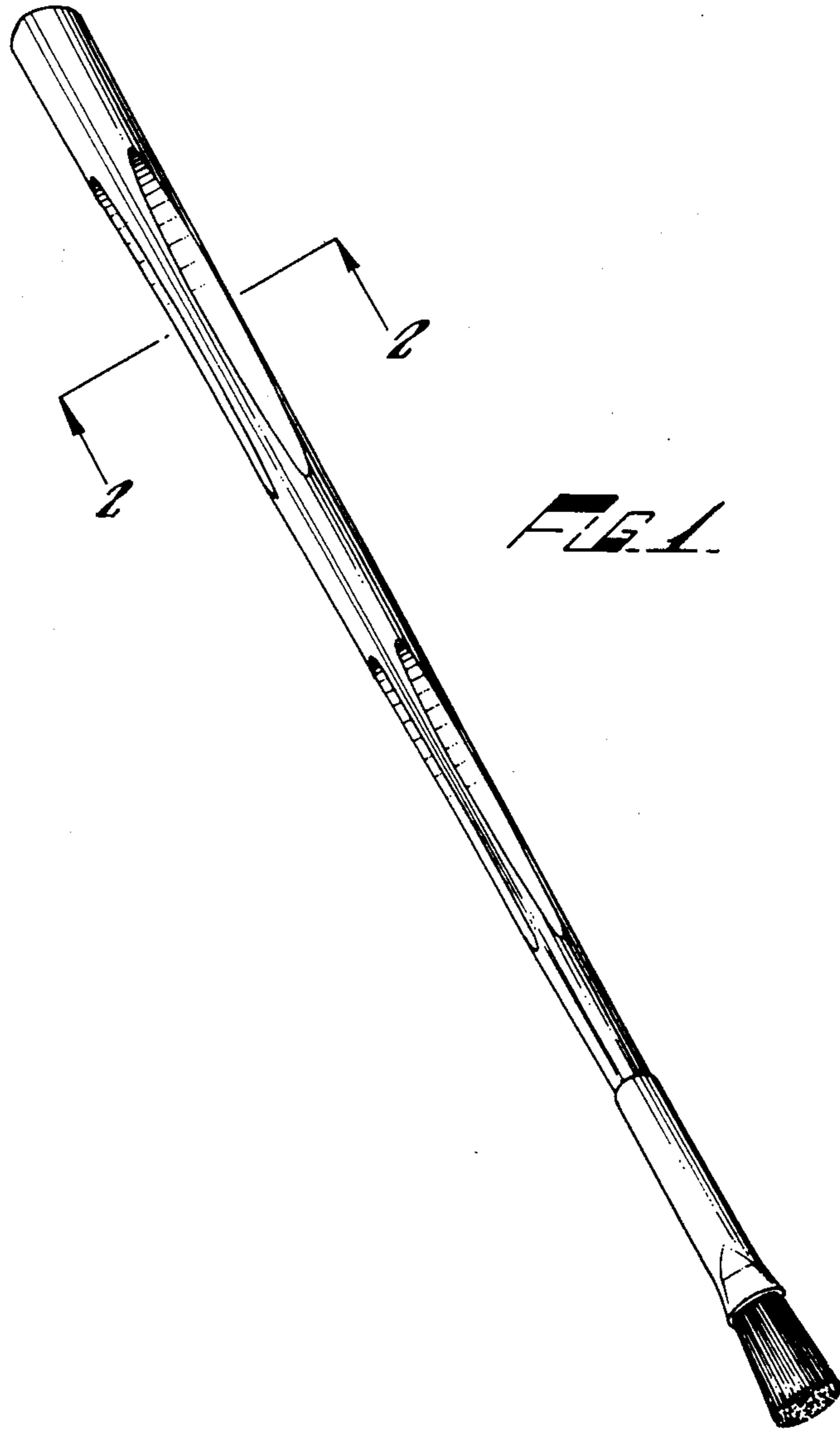


FIG. 1

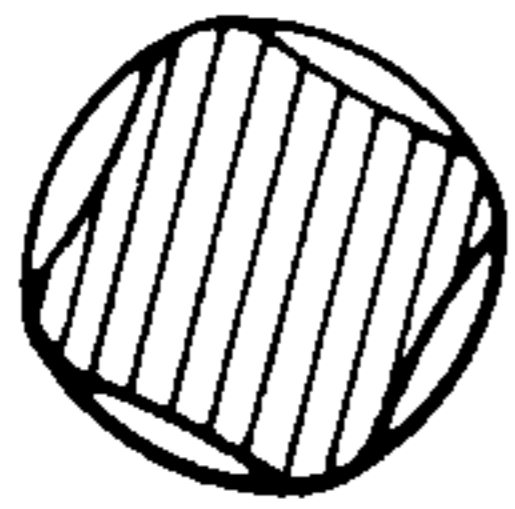


FIG. 2