

[54] SLIDE SUPPORT FOR A CHIROPRACTIC TABLE

[75] Inventor: James E. Barnes, Fort Wayne, Ind.

[73] Assignee: James W. Cox, Fort Wayne, Ind. ; a part interest

[**] Term: 14 Years

[21] Appl. No.: 889,092

[22] Filed: Mar. 22, 1978

[51] Int. Cl. D24-01

[52] U.S. Cl. D24/7; D24/3

[58] Field of Search 128/70-74; D24/7

[56]

References Cited

U.S. PATENT DOCUMENTS

2,660,495	11/1953	Schwalbe	128/72
3,420,229	1/1969	Miller	128/71
3,821,952	7/1974	Binegar	128/70

Primary Examiner—Sam Rosen

Attorney, Agent, or Firm—Gust, Irish, Jeffers & Hoffman

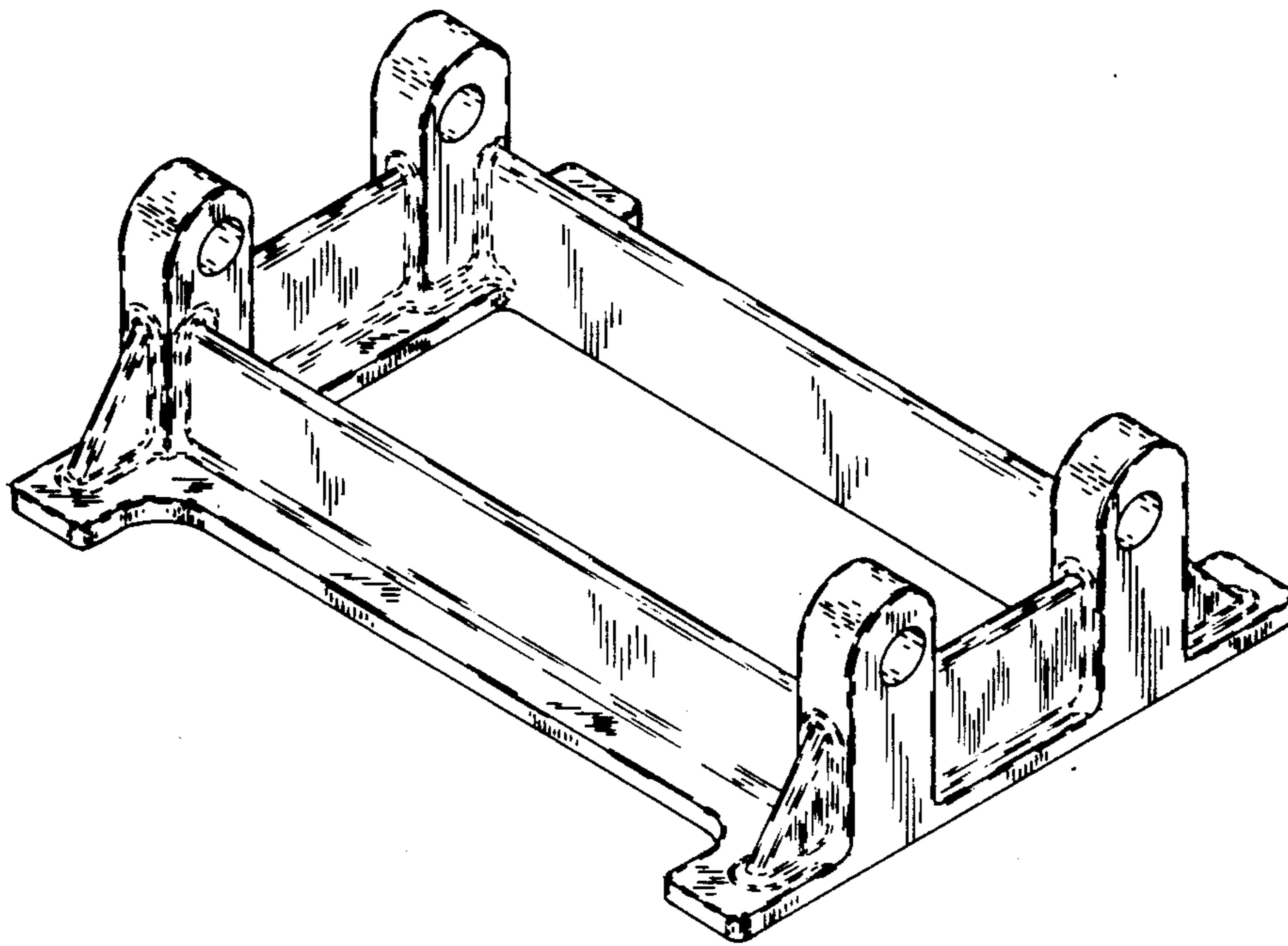
[57]

CLAIM

The ornamental design for a slide support for a chiropractic table, as shown and described.

DESCRIPTION

FIG. 1 is a bottom perspective view of the slide support for a chiropractic table showing my new design; FIG. 2 is a bottom plan view thereof; FIG. 3 is a top plan view thereof; FIG. 4 is a side view thereof, the opposite side appearing the same; and FIG. 5 is an end view thereof, the opposite end appearing the same.



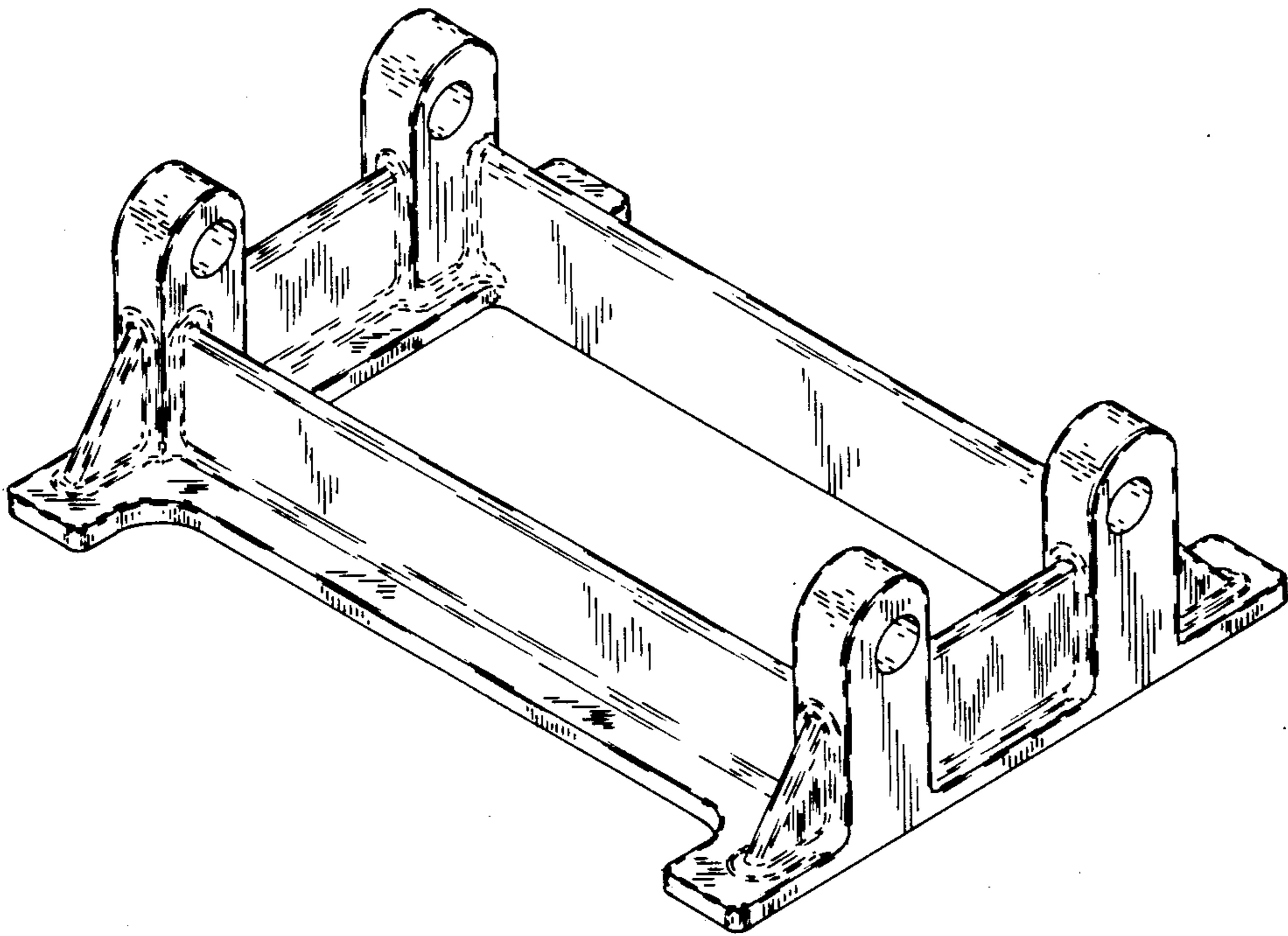


FIG. 1

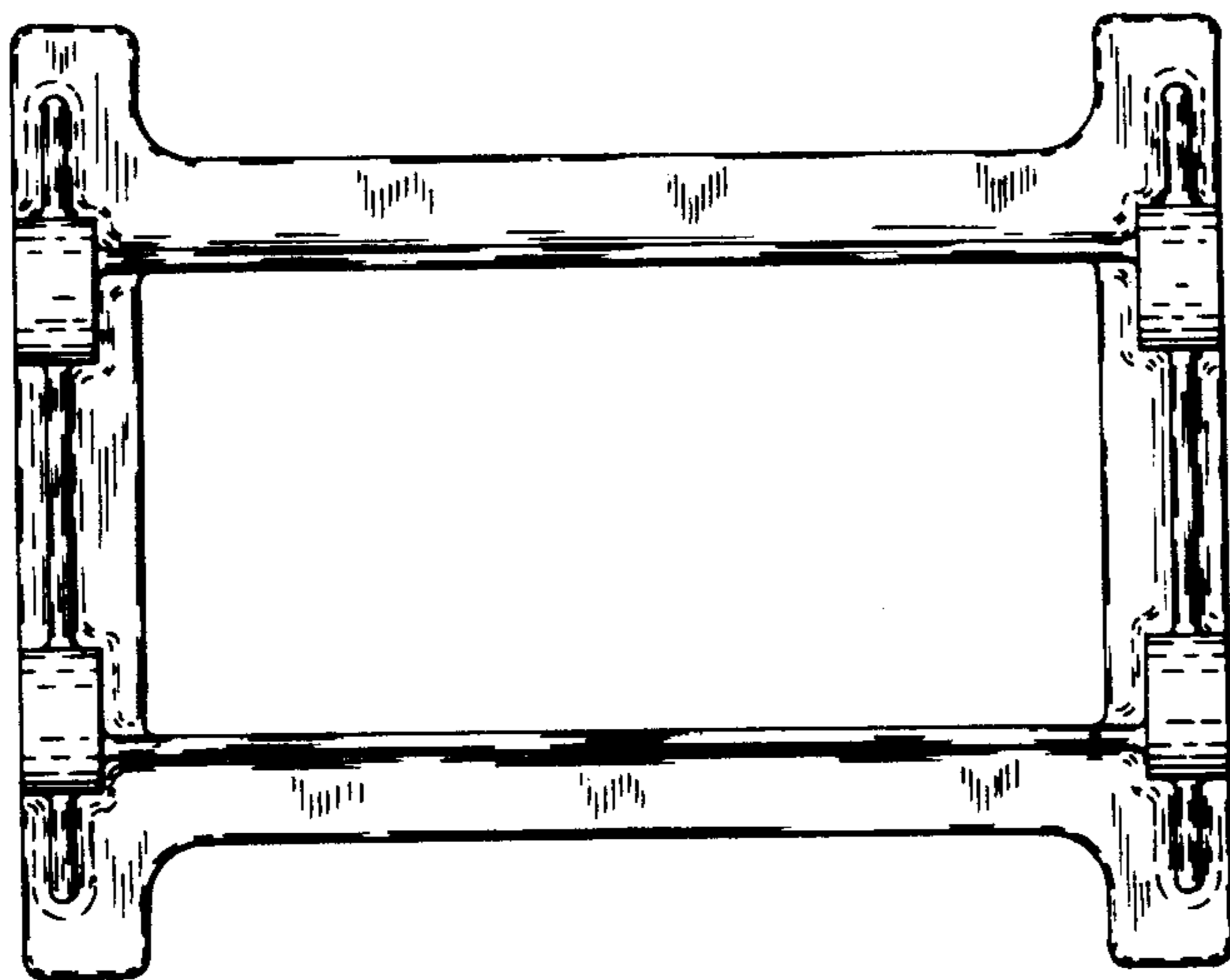


FIG. 2

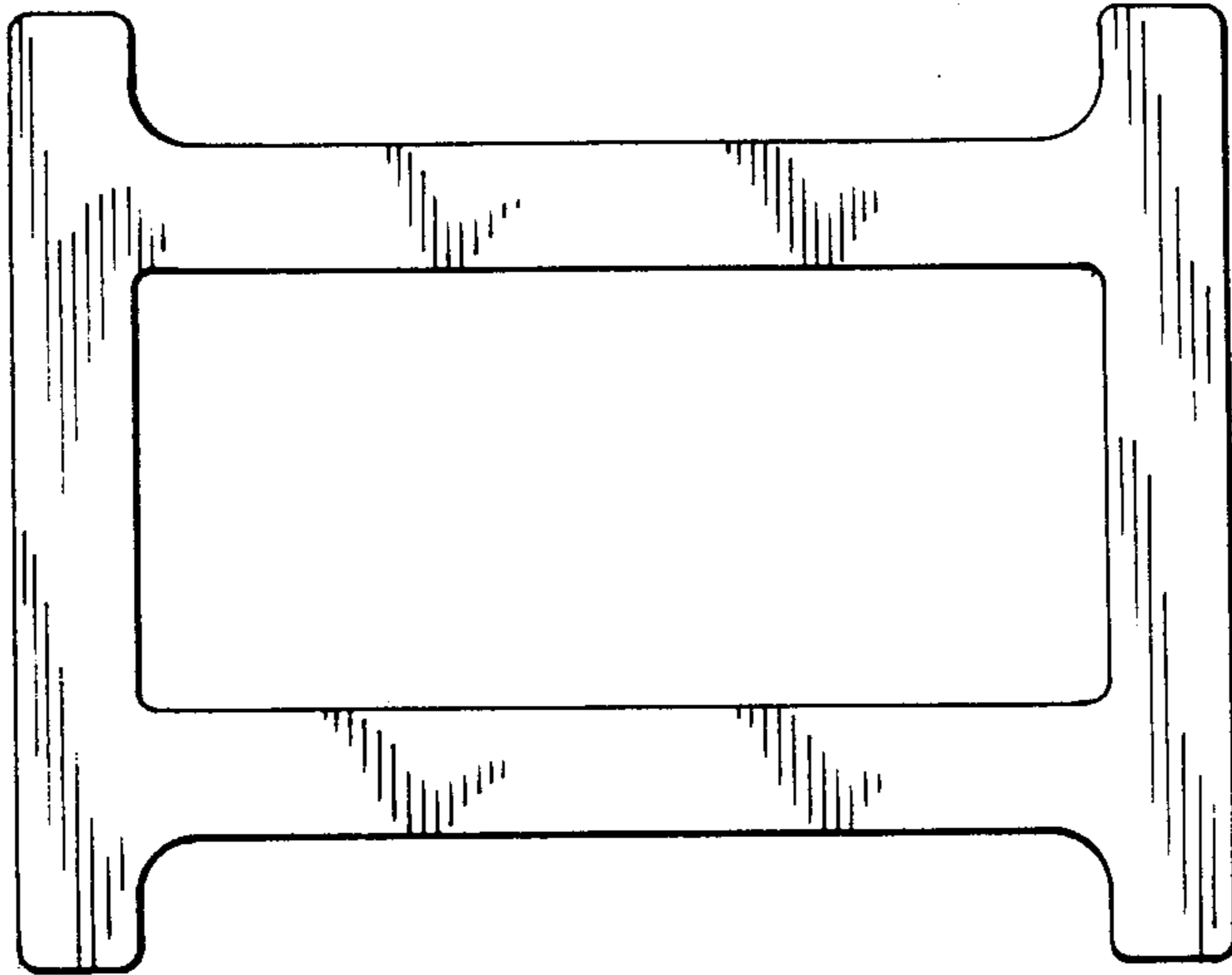


FIG. 3



FIG. 4

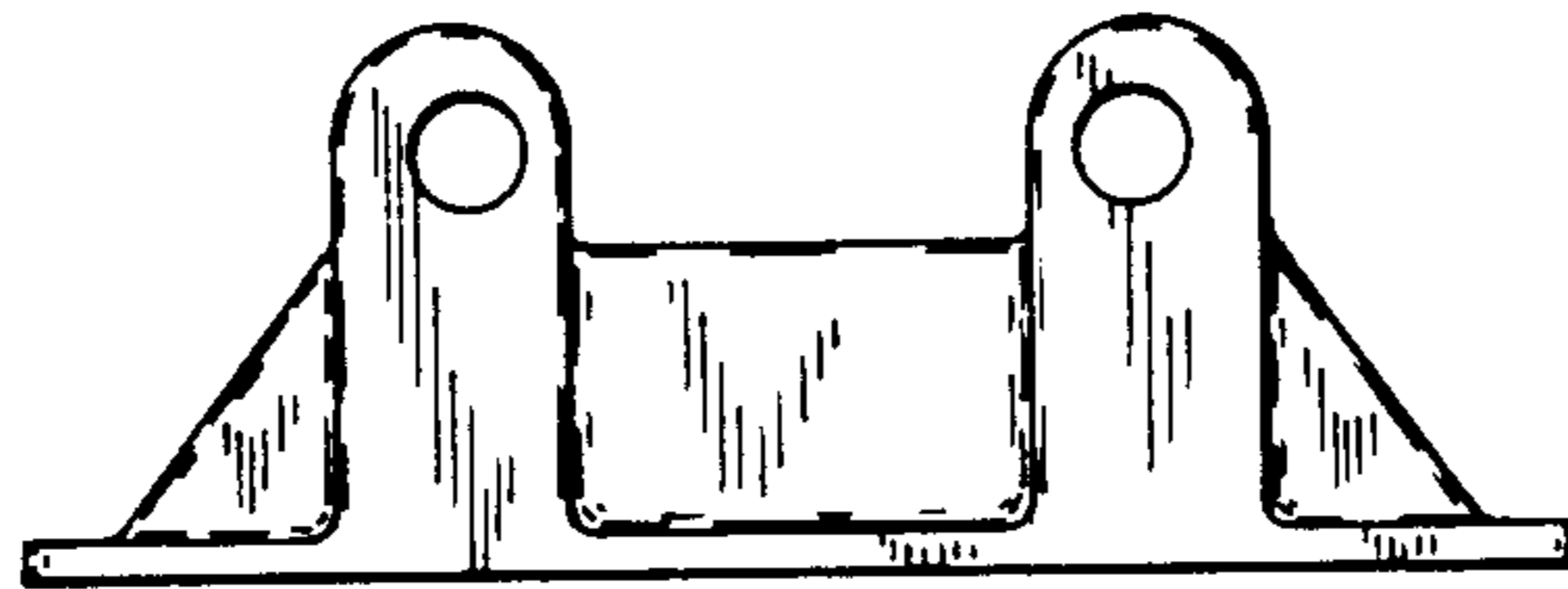


FIG. 5