

[54] **COMBINED FIREPLACE AND HEATING STOVE**

[76] Inventor: **Edwin S. F. Francis**, 3930 Hobbs St., Victoria, B.C., Canada

[**] Term: **14 Years**

[21] Appl. No.: **39,500**

[22] Filed: **May 16, 1979**

[51] Int. Cl. **D23-03**

[52] U.S. Cl. **D23/97**

[58] Field of Search **D23/93, 94, 95, 96, D23/97, 105, 107; 126/120, 121, 122, 123, 125, 126, 4, 6, 58, 60, 62, 65**

[56] **References Cited**

U.S. PATENT DOCUMENTS

D. 219,915 2/1971 McElheny D23/97

D. 234,358 2/1975 Lever D23/97
D. 241,547 9/1976 Francis D23/97
D. 250,419 11/1978 Luscombe D23/97

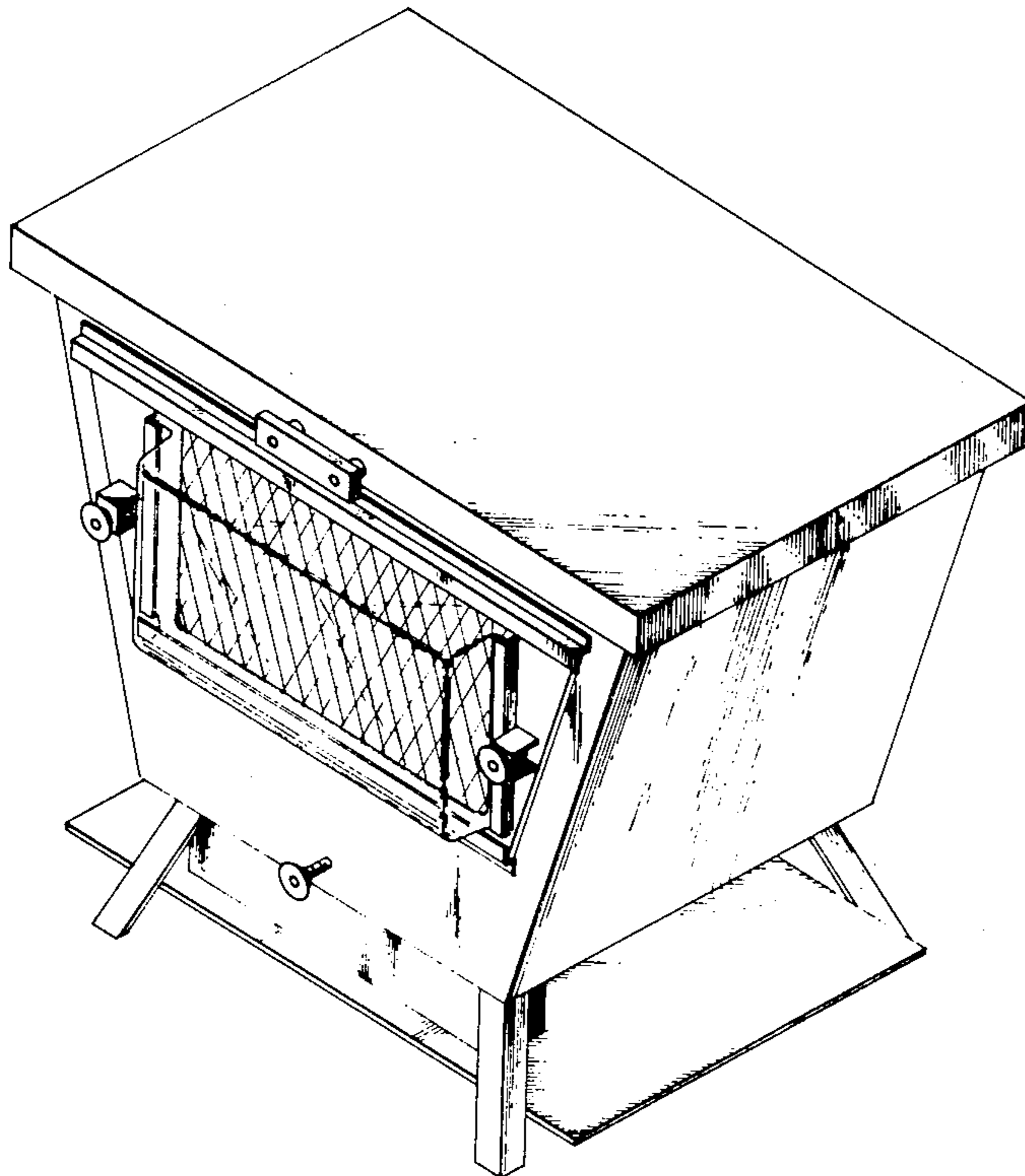
Primary Examiner—Catherine E. Kemper

[57] **CLAIM**

The ornamental design for a combined fireplace and heating stove, as shown and described.

DESCRIPTION

FIG. 1 is a perspective view of a combined fireplace and heating stove showing my new design; FIG. 2 is a front elevation view thereof; FIG. 3 is a side elevation view thereof; FIG. 4 is a rear elevation view thereof; and FIG. 5 is a bottom plan view thereof. The side of the combined fireplace and heating stove which is not shown is a mirror image of the side shown in FIG. 3.



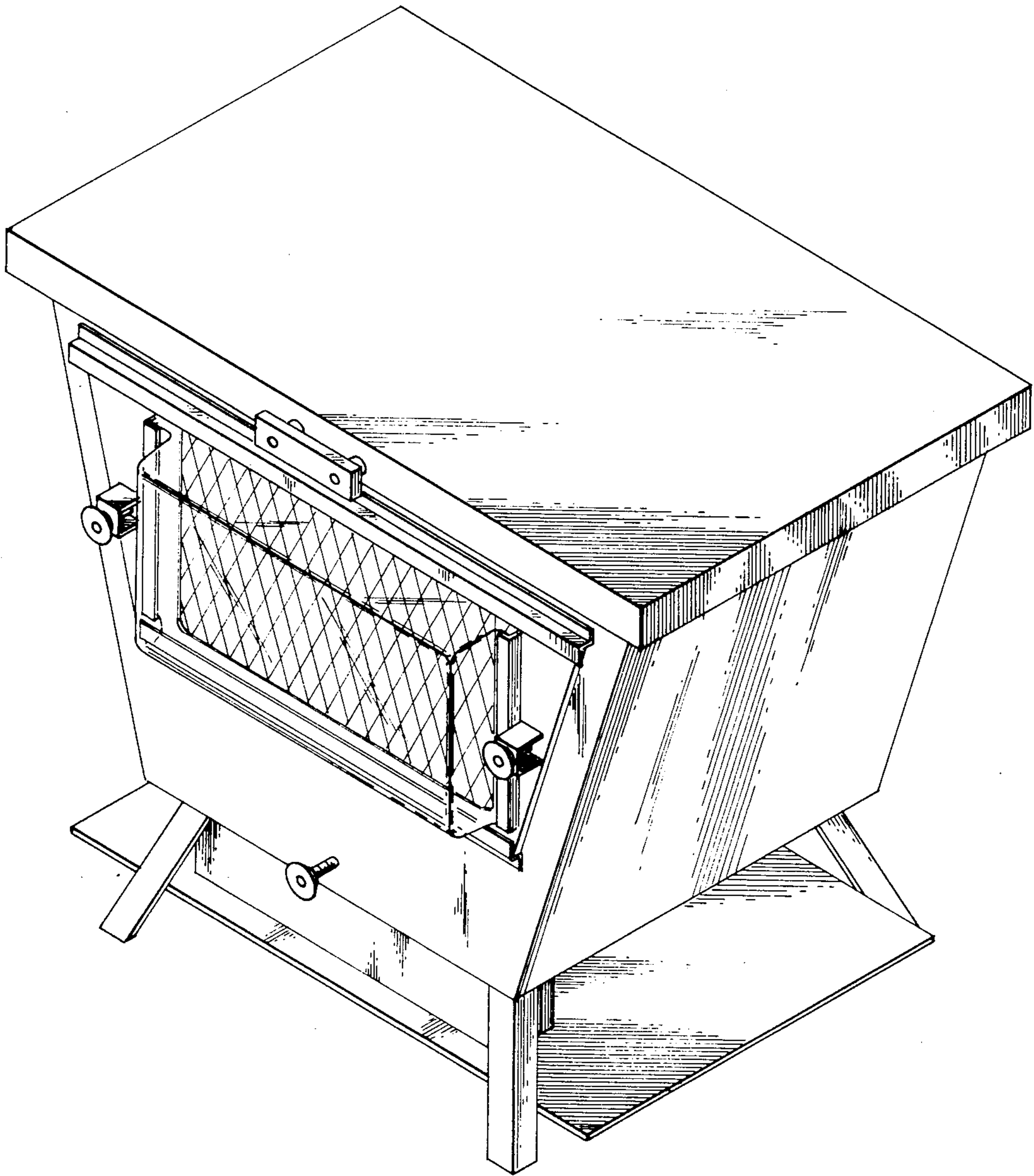


FIG. 1

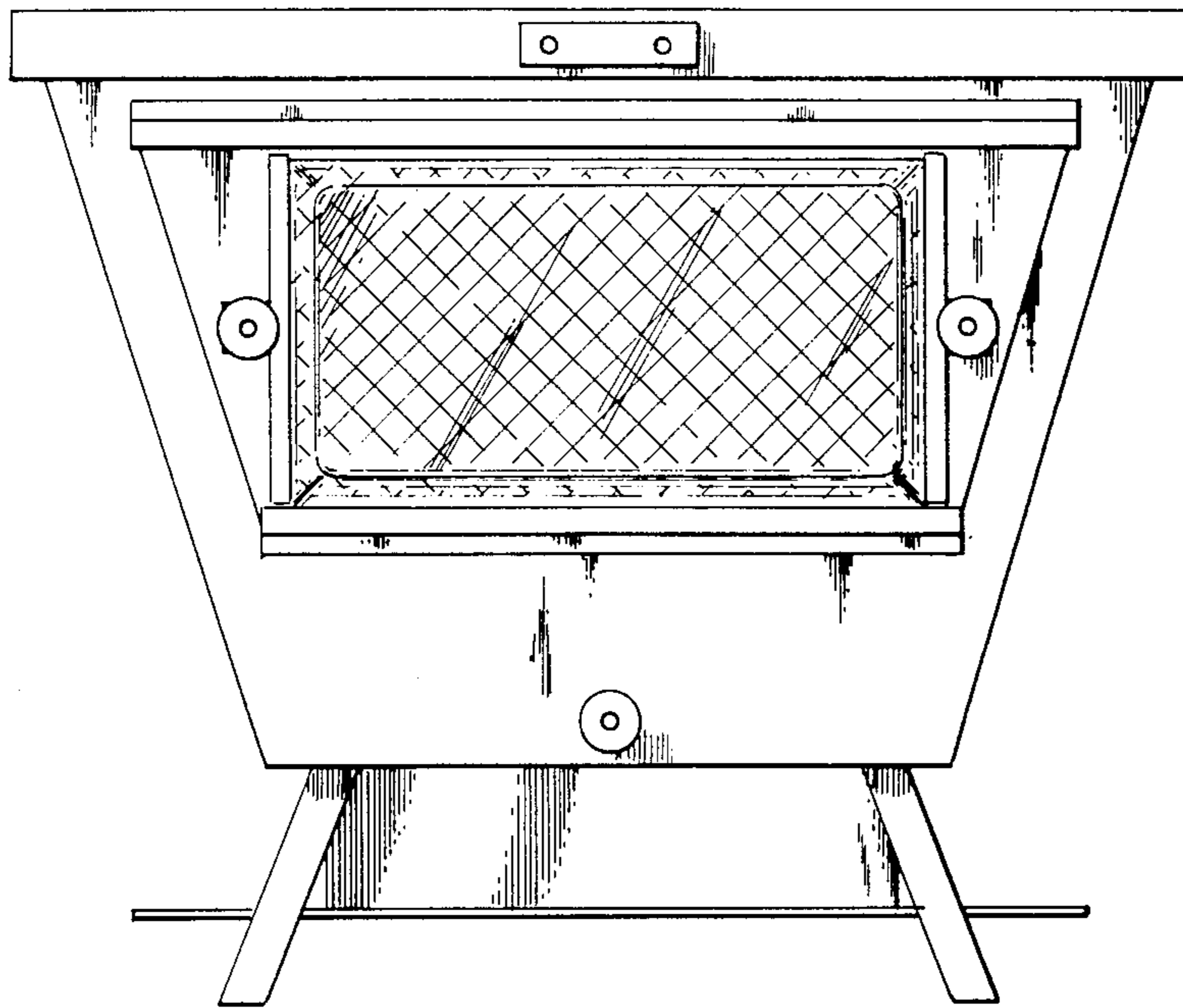
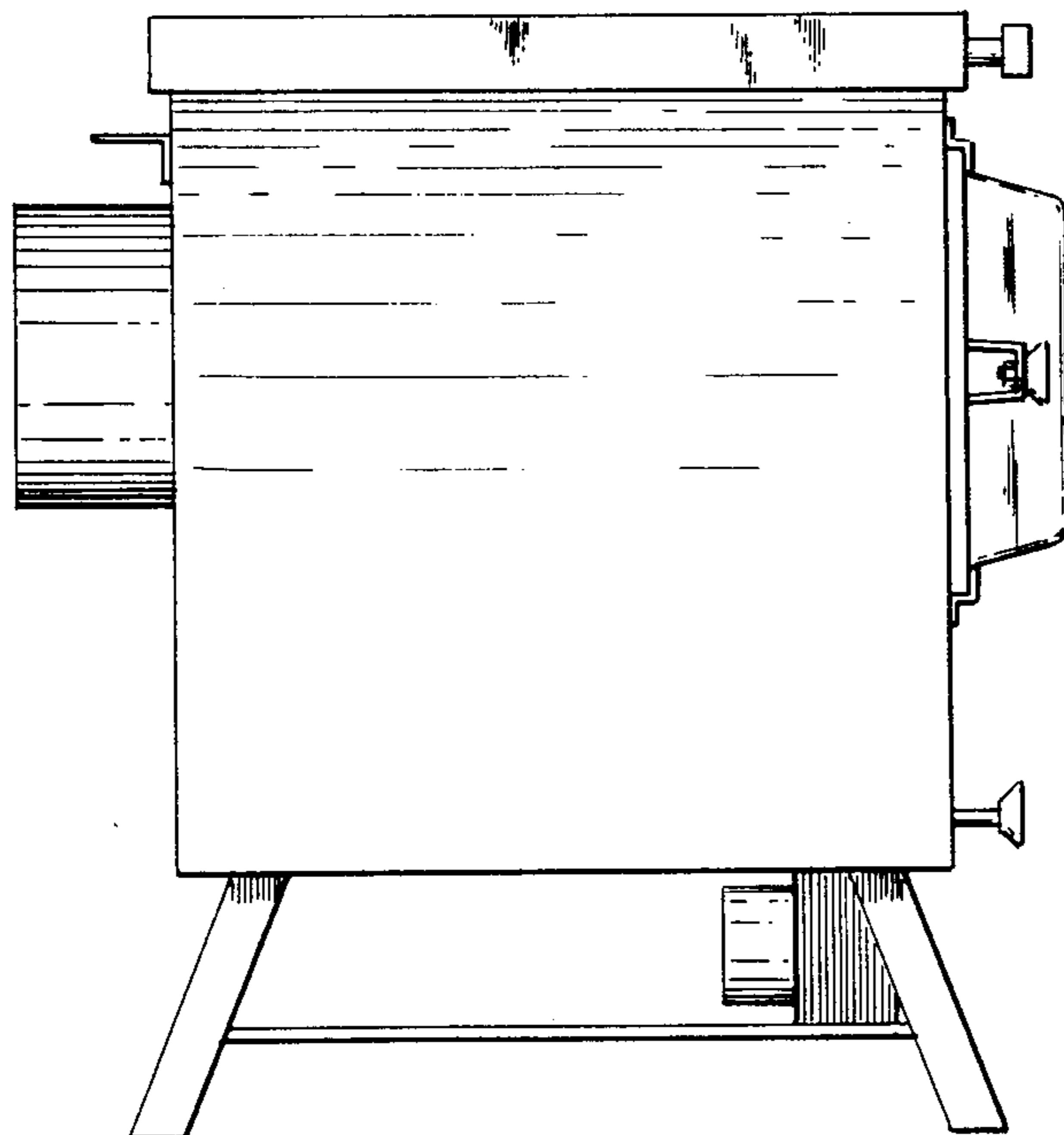


FIG. 2

FIG. 3



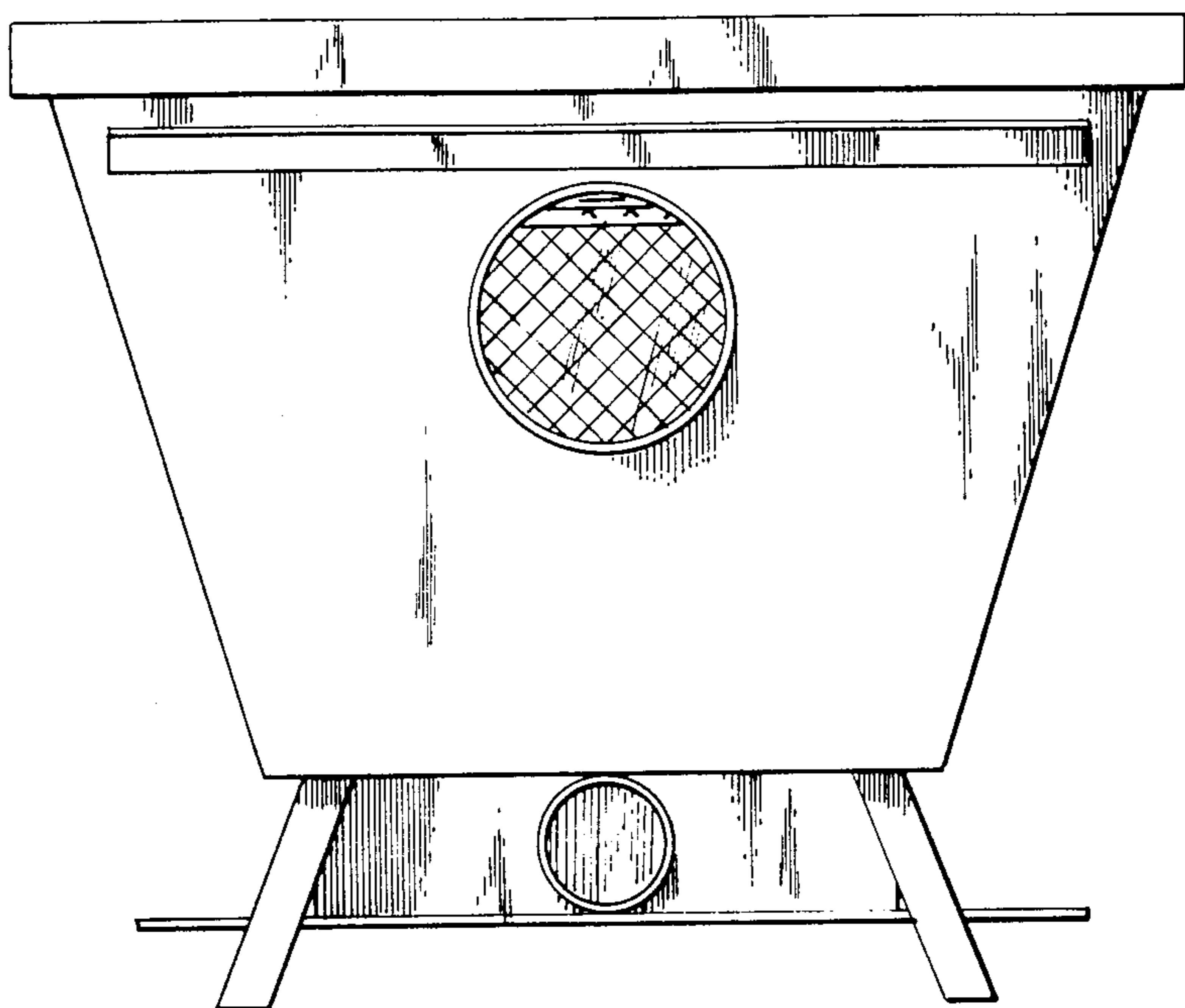


FIG. 4

FIG. 5

