

[54] TOY VEHICLE

[75] Inventor: Keiichi Murasaki, Tokyo, Japan

[73] Assignee: Tomy Kogyo Co., Inc., Tokyo, Japan

[**] Term: 14 Years

[21] Appl. No.: 965,612

[22] Filed: Dec. 1, 1978

[30] Foreign Application Priority Data

Jun. 3, 1978 [JP] Japan 53-23239

[51] Int. Cl. D21-01

[52] U.S. Cl. D21/137

[58] Field of Search D21/128, 134, 136, 137, D21/140, 76, 78; 46/201, 210, 211, 222, 111

[56]

References Cited

U.S. PATENT DOCUMENTS

D. 238,595 1/1976 Goldfarb et al. D21/136
D. 253,184 10/1979 Fratarcangli D21/134

OTHER PUBLICATIONS

Sears Xmas Catalog, 1978, p. 473, Dune Buggy.

Primary Examiner—Charles A. Rademaker
Attorney, Agent, or Firm—Edward D. O'Brian

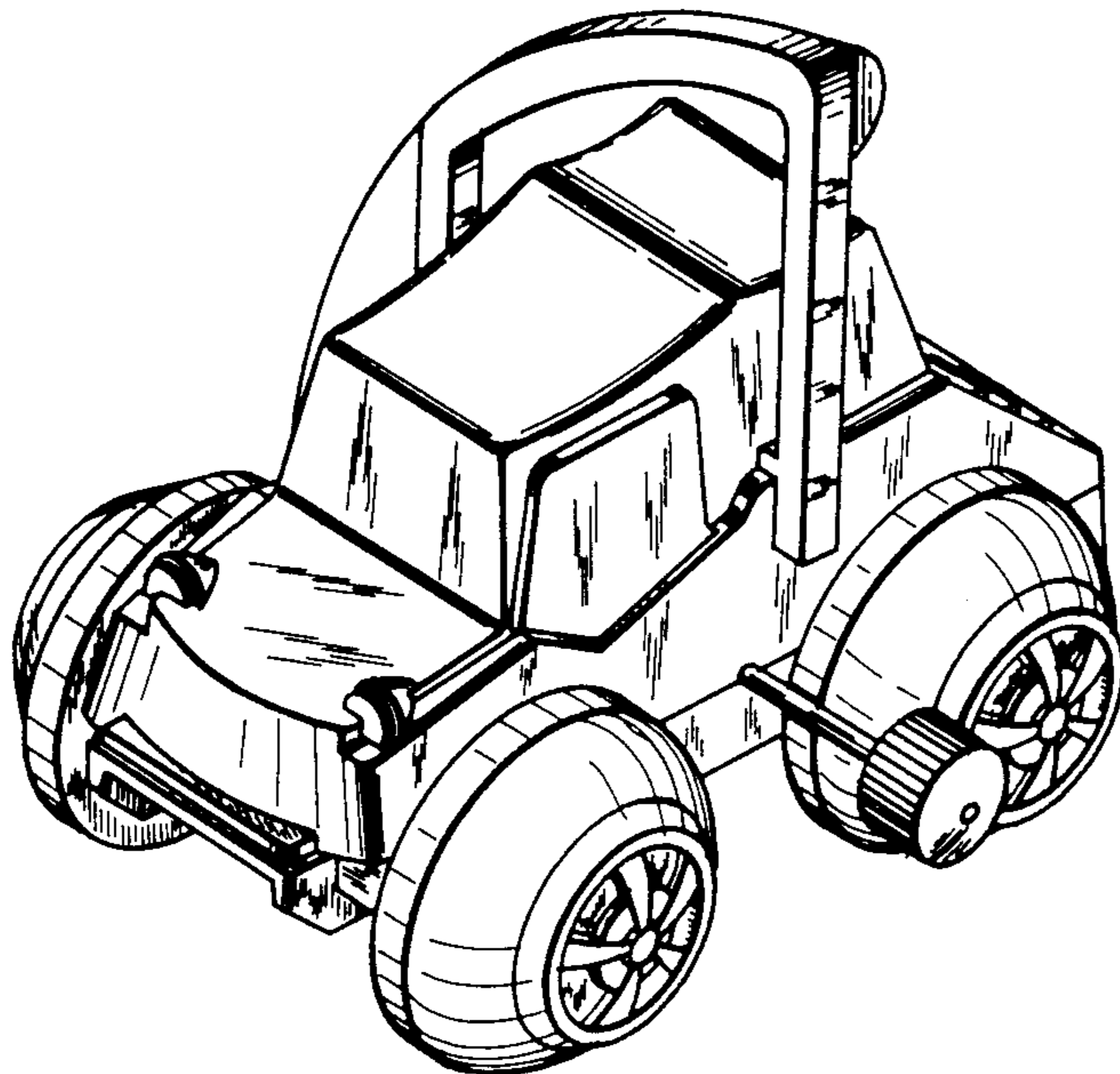
[57]

CLAIM

The ornamental design for a toy vehicle, substantially as shown and described.

DESCRIPTION

FIG. 1 is a front perspective view of a toy vehicle showing my new design; FIG. 2 is a left side elevational view thereof; FIG. 3 is a rear elevational view thereof; and FIG. 4 is a bottom plan view thereof.



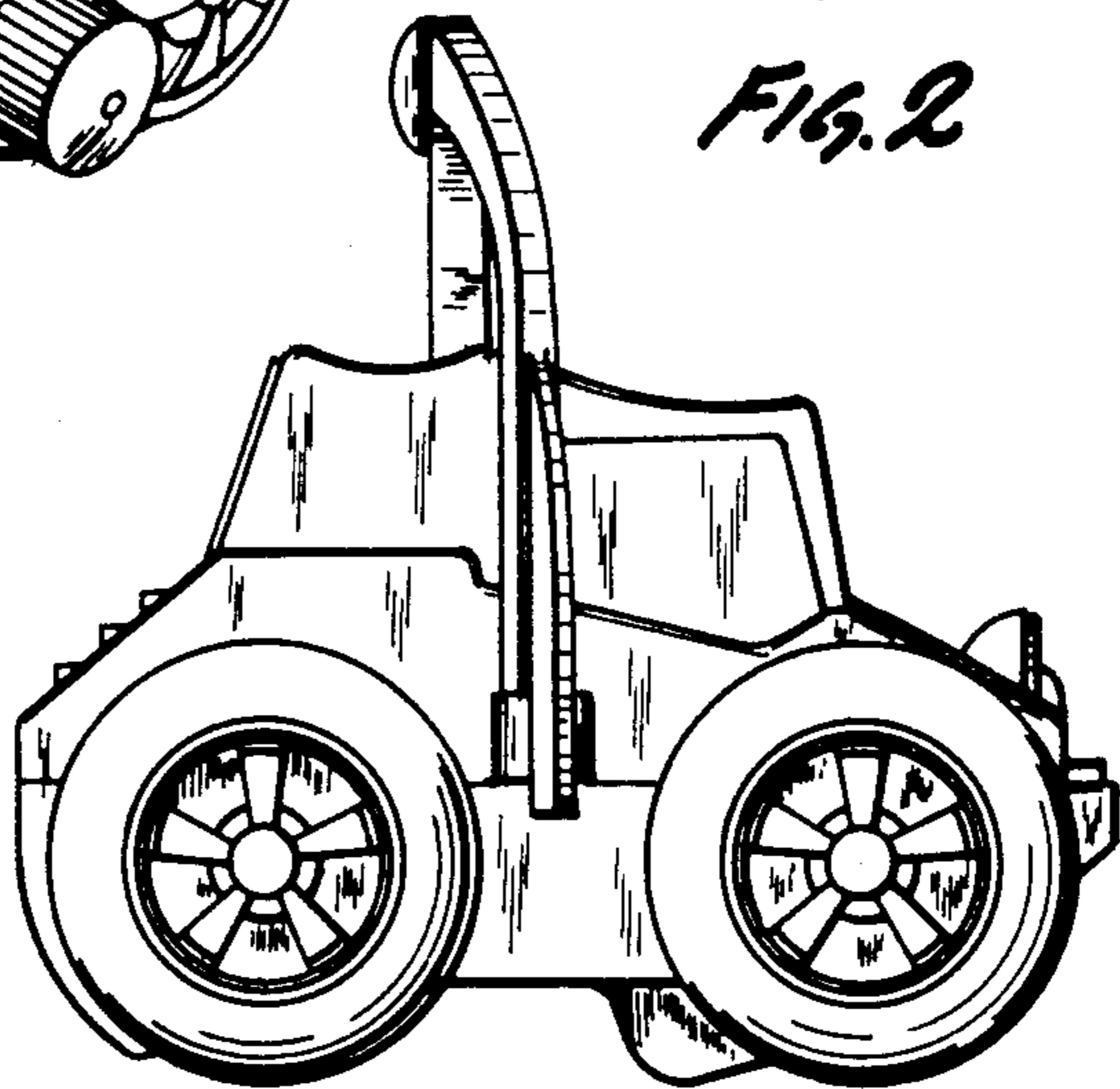
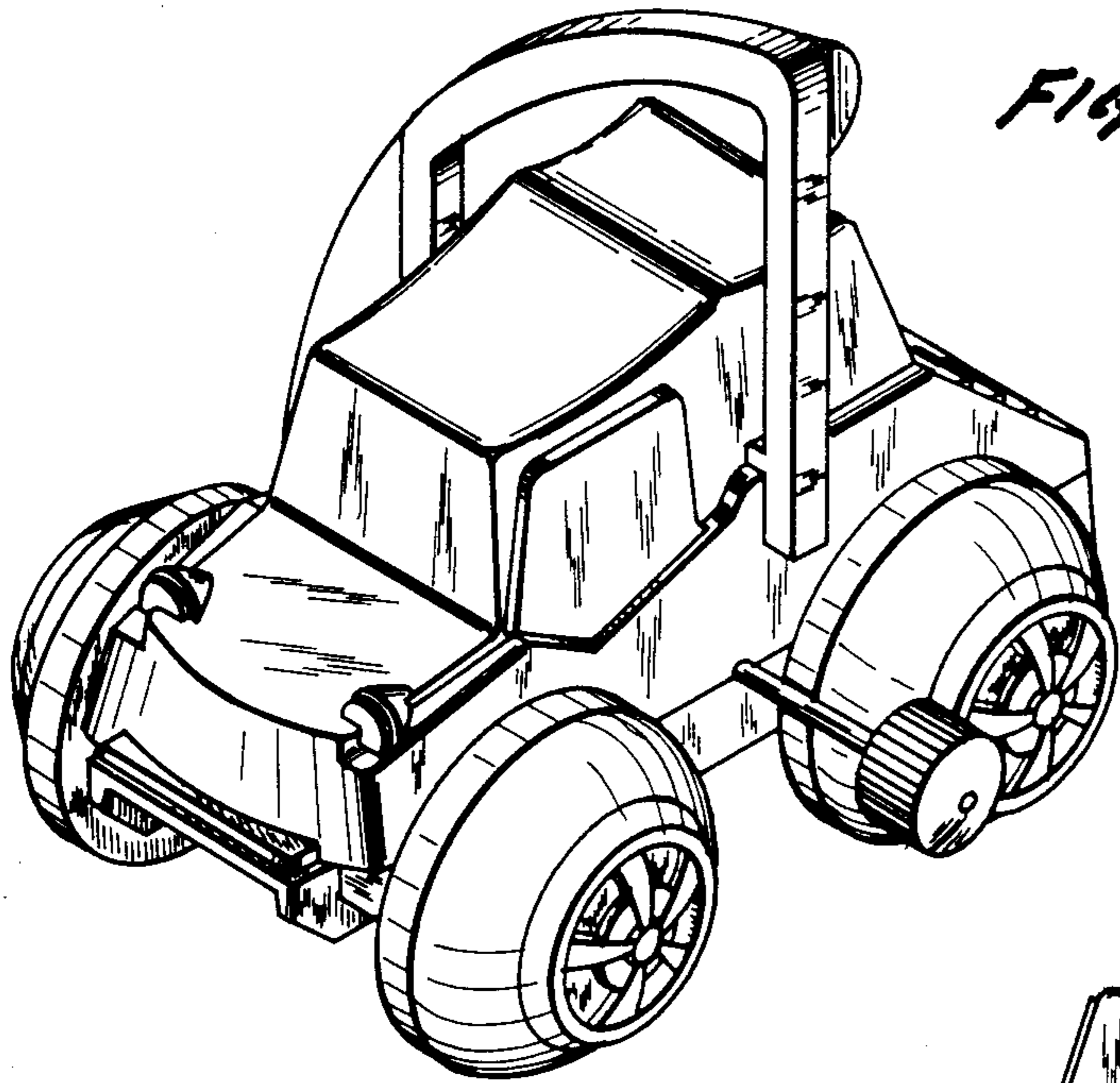


FIG. 3

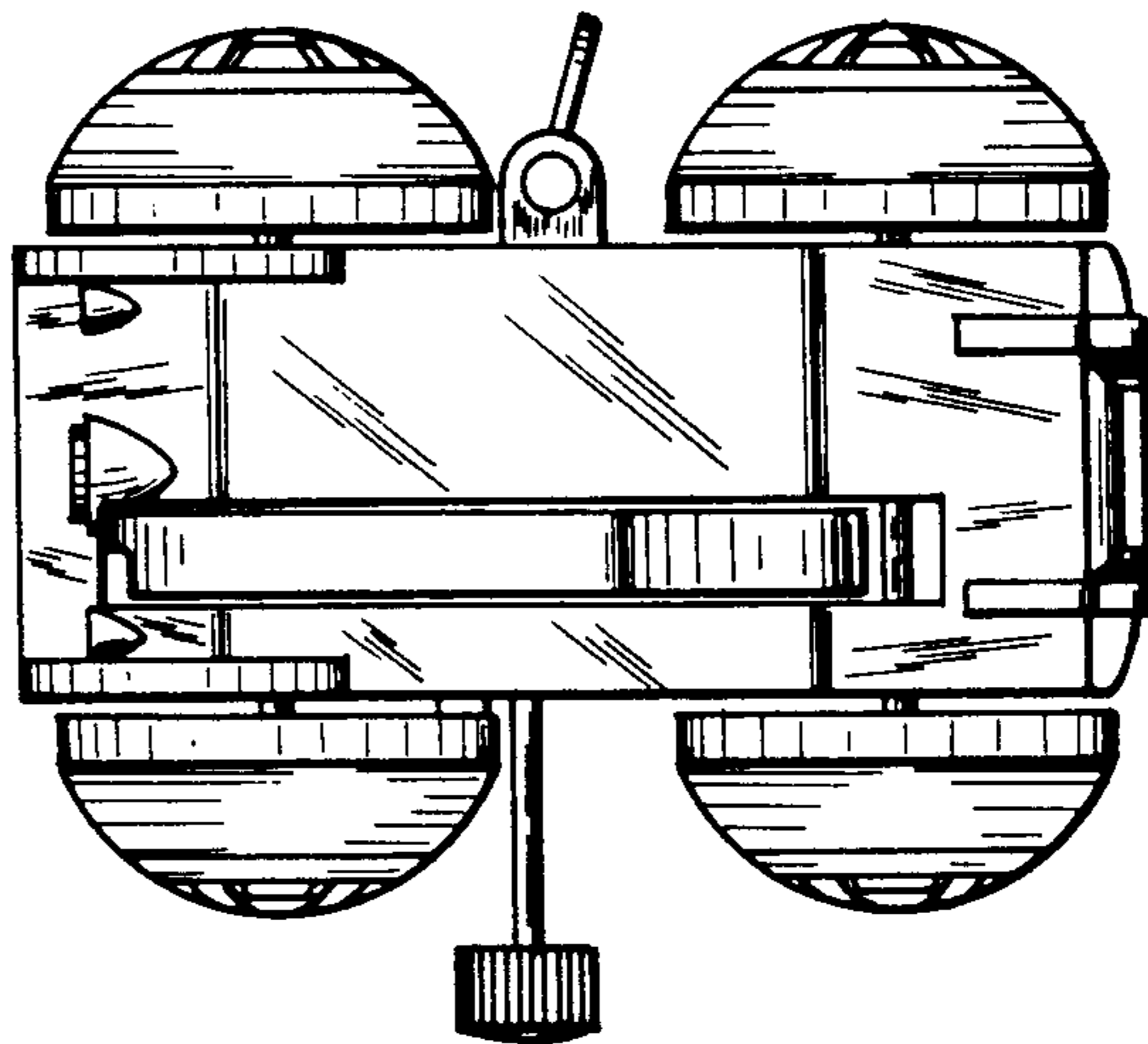
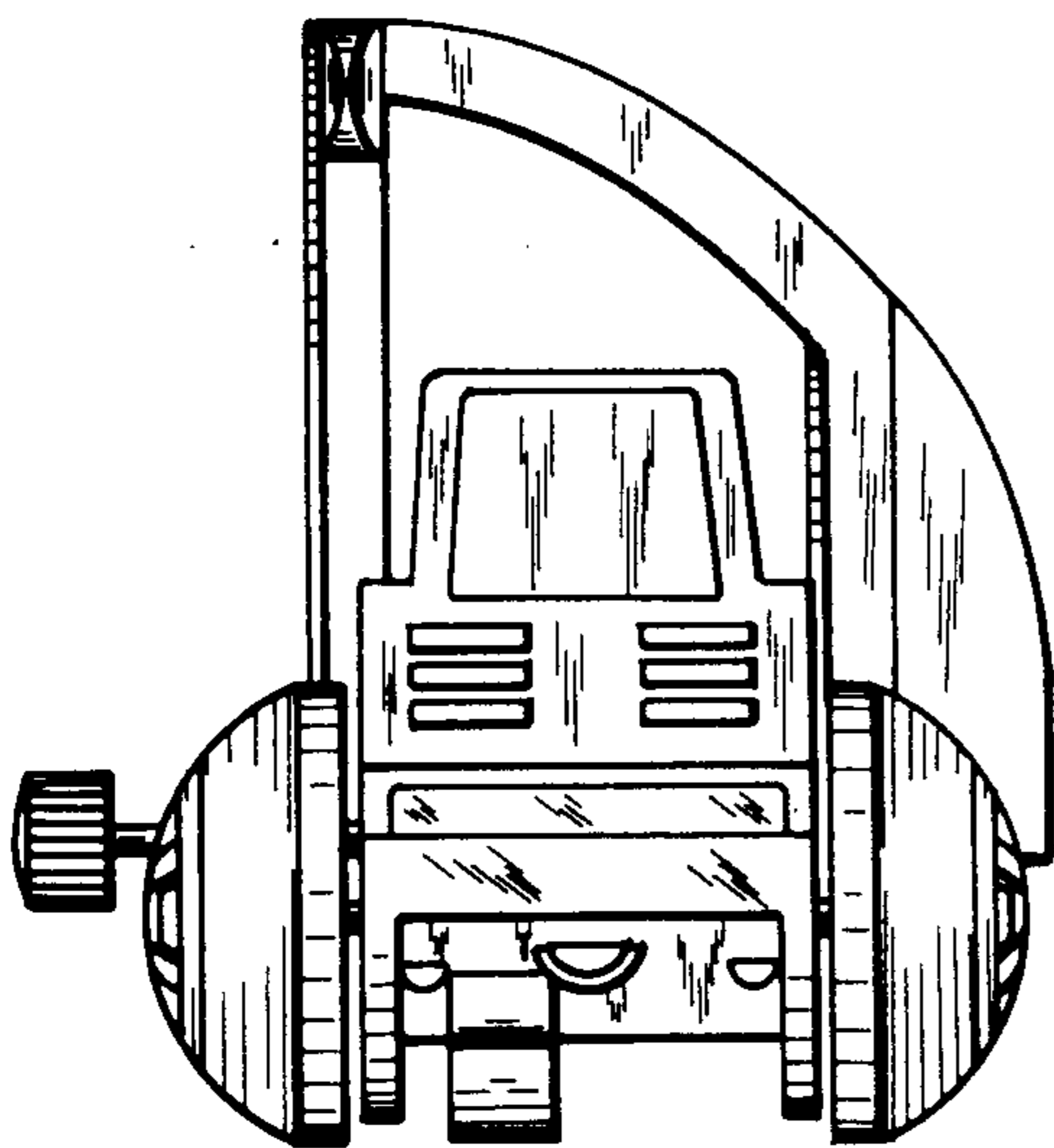


FIG. 4