

[54] TOY TANK

[75] Inventor: Hitoshi Itakura, Tokyo, Japan
[73] Assignee: Tomy Kogyo Co., Inc., Tokyo, Japan
[**] Term: 14 Years
[21] Appl. No.: 966,471
[22] Filed: Dec. 4, 1978
[51] Int. Cl. D21-01
[52] U.S. Cl. D21/131
[58] Field of Search D21/76, 78, 79, 132,
D21/128, 131, 134; D12/95.12; 46/201, 206,
207, 210, 219

3,869,825 3/1975 Heberlein 46/219

OTHER PUBLICATIONS

Ordnance, 7-8, 1960, p. 85, "1957-T149 Anti-Tank Missile Launcher."

Primary Examiner—Charles A. Rademaker
Attorney, Agent, or Firm—Edward D. O'Brian

[57] CLAIM

The ornamental design for a toy tank, substantially as shown and described.

DESCRIPTION

FIG. 1 is a front and side perspective view of a toy tank showing my new design, the side perspective opposite being substantially a mirror image;
FIG. 2 is a rear elevational view thereof;
FIG. 3 is a side elevational view showing the side thereof which is not visible in FIG. 1; and
FIG. 4 is a bottom plan view thereof.

[56] References Cited

U.S. PATENT DOCUMENTS

D. 177,074 3/1956 Springall D21/131
D. 191,793 11/1961 Alvaney D21/131
3,065,569 11/1962 Nielsen et al. 46/219

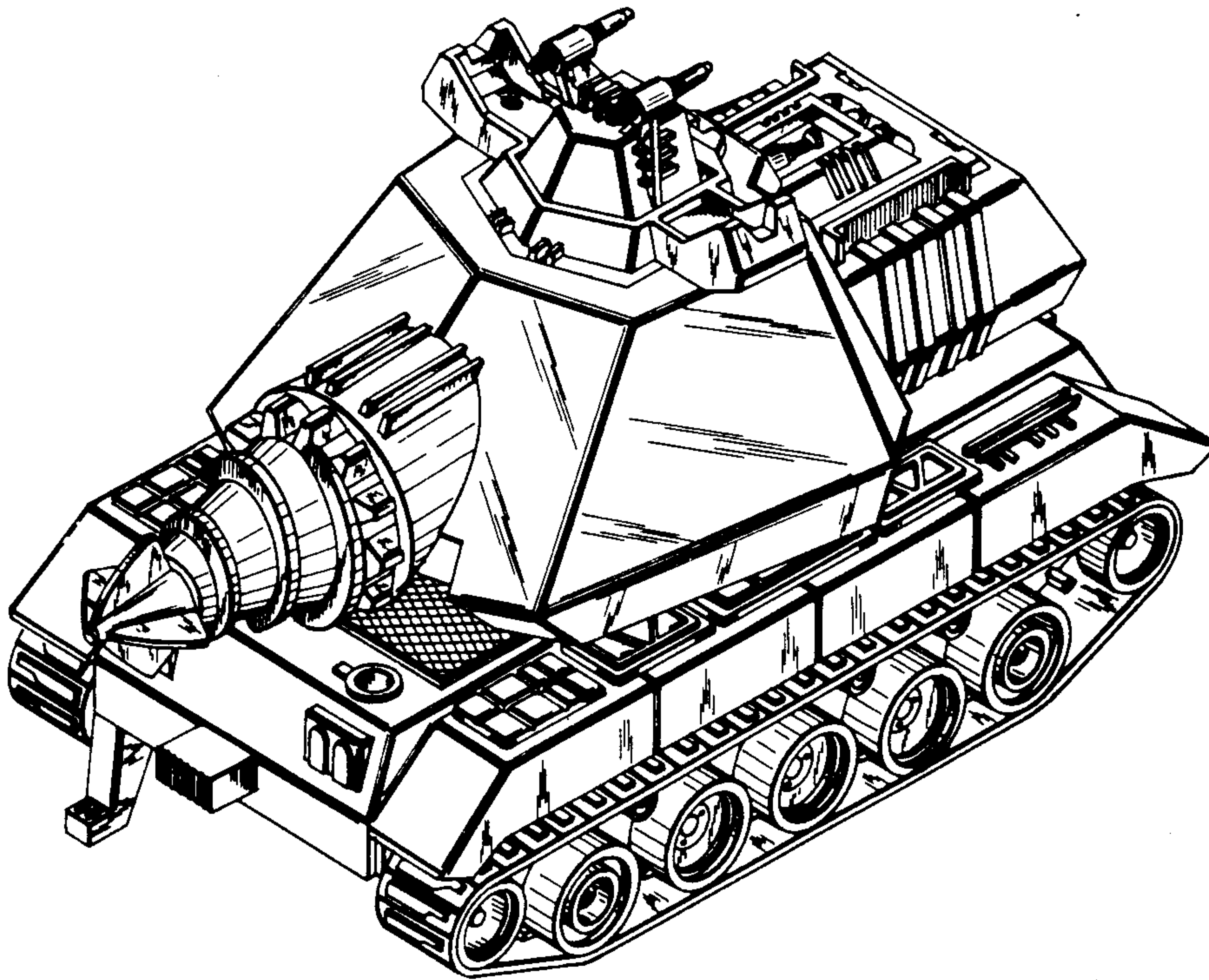


Fig. 1

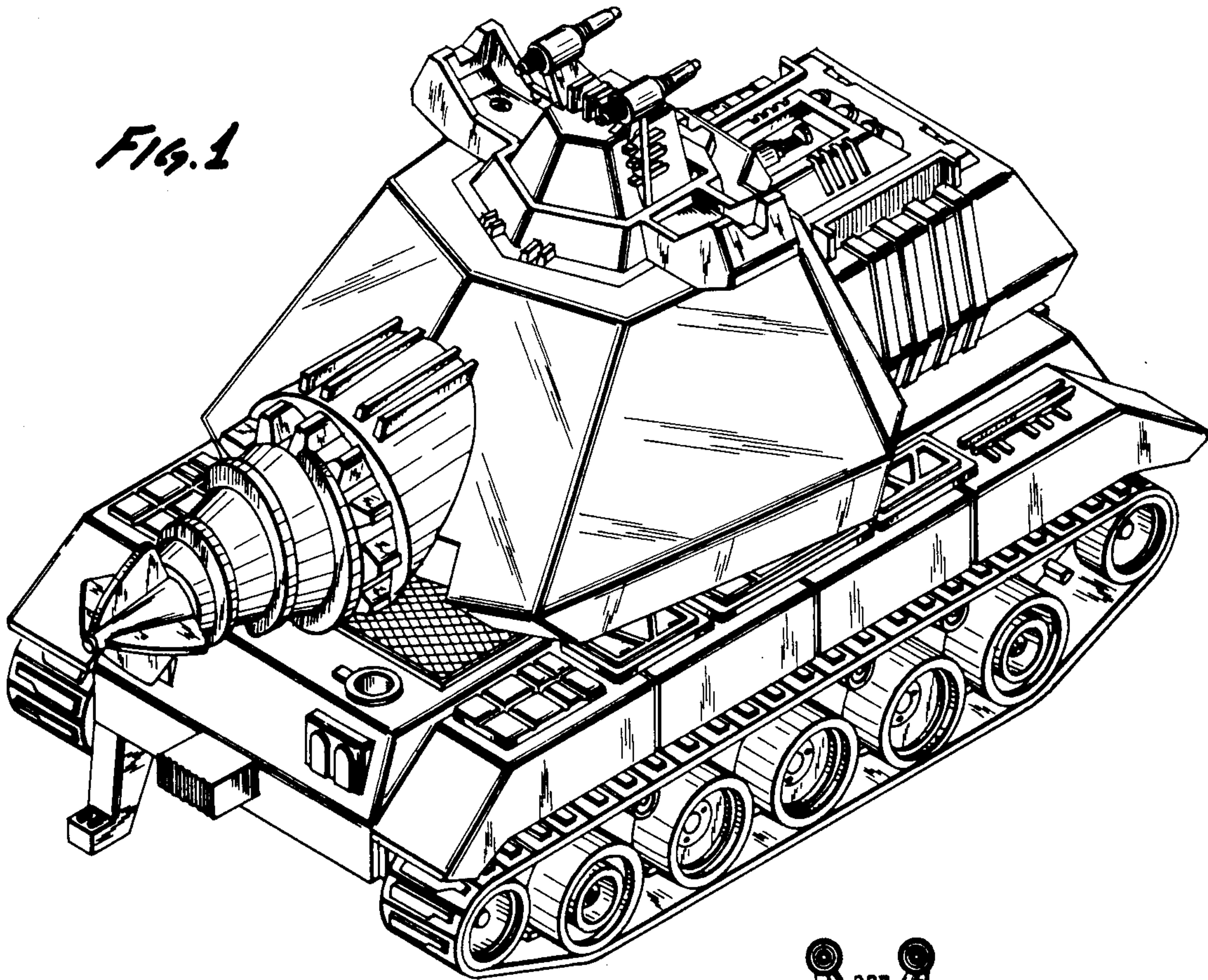


Fig. 2

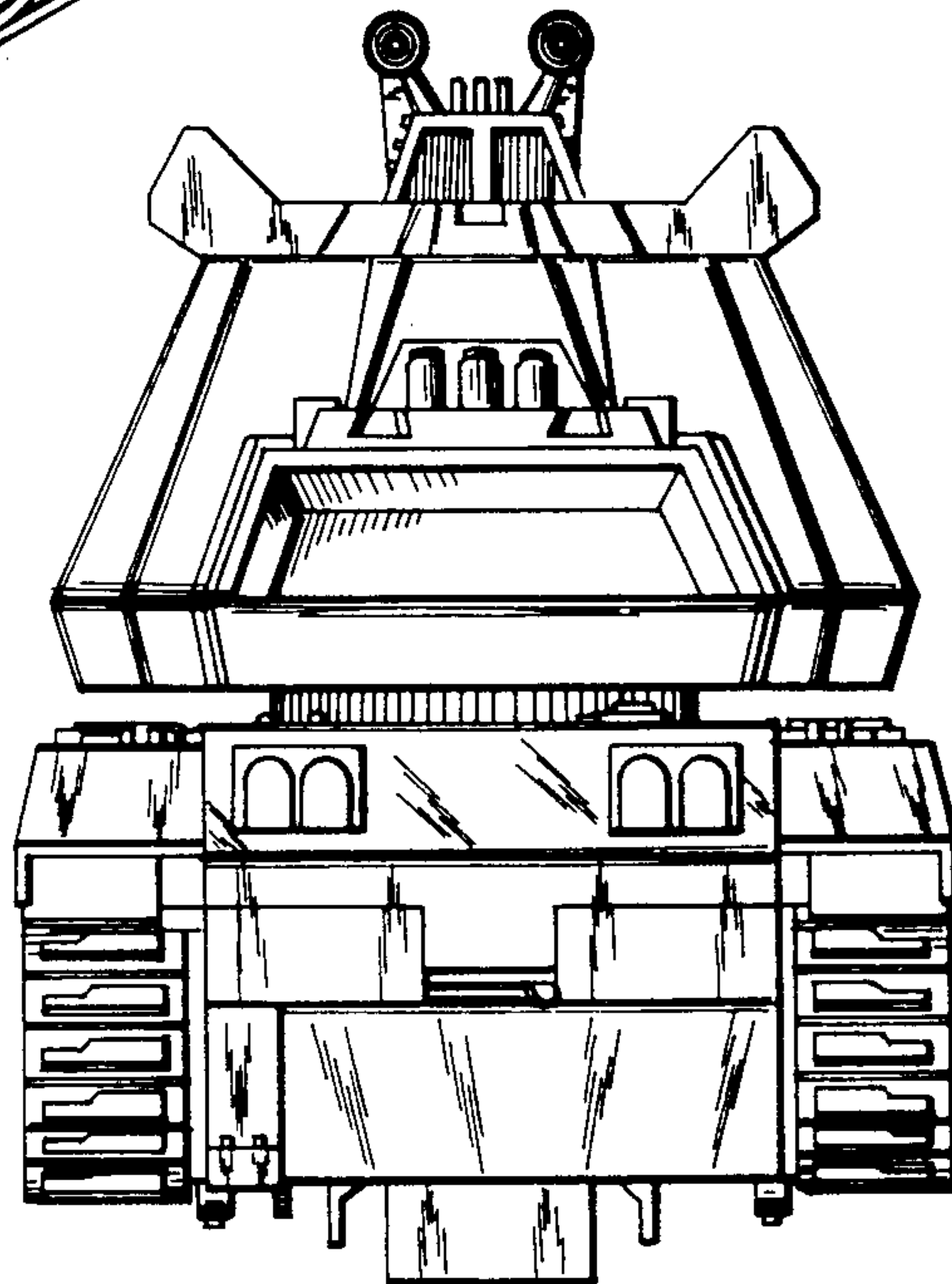


FIG. 3

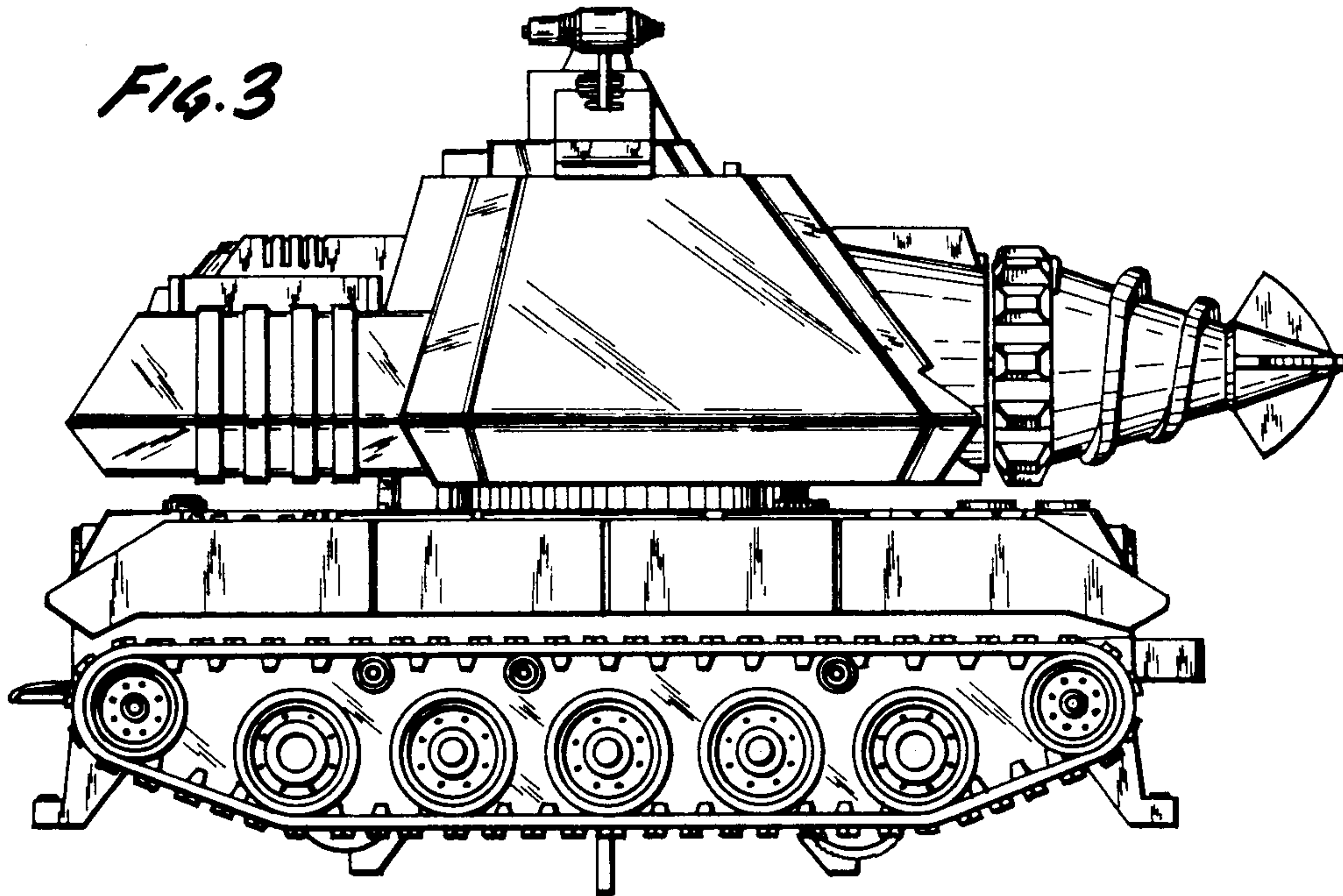


FIG. 4

