

[54] TOY JACK

[75] Inventors: Royce D. Rumsey, Hopkins; Ronald R. Pauly, Mound, both of Minn.

[73] Assignee: Tonka Corporation, Hopkins, Minn.

[**] Term: 14 Years

[21] Appl. No.: 871,431

[22] Filed: Jan. 23, 1978

[51] Int. Cl. D21-01

[52] U.S. Cl. D21/124

[58] Field of Search D21/59, 109, 124, 120; D12/55, 56; 46/1 R, 14, 39, 40; 254/2 B, 2 R, 10 R, 8 R, 93 H

[56] References Cited

U.S. PATENT DOCUMENTS

- D. 192,522 4/1962 Butorac D12/55
- D. 245,493 8/1977 Kenig D12/55

OTHER PUBLICATIONS

Motor Magazine, 3-1960, p. 96, "Black Hawk" Jack. Tire and TBA Review, p. 53, "Ausco" Jack.

Primary Examiner—Charles A. Rademaker
Attorney, Agent, or Firm—Norman P. Friederichs

[57] CLAIM

The ornamental design for a toy jack, as shown and described.

DESCRIPTION

FIG. I is a front perspective view of a toy jack showing our new design;

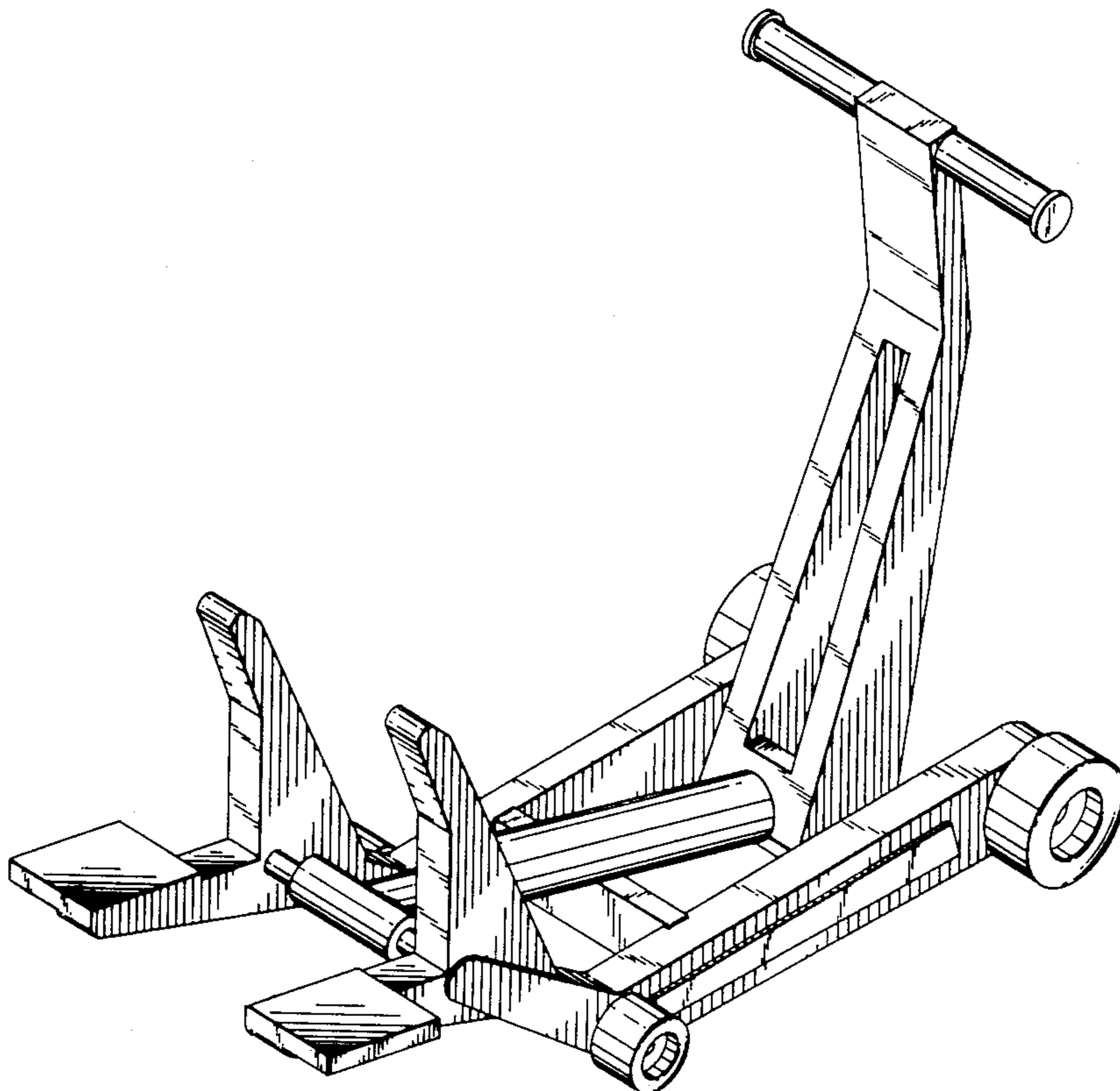
FIG. II is a front elevational view thereof shown on a slightly reduced scale;

FIG. III is a rear elevational view thereof;

FIG. IV is a right side elevational view thereof, the side opposite being a mirror image;

FIG. V is a top plan view thereof; and,

FIG. VI is a bottom plan view thereof.



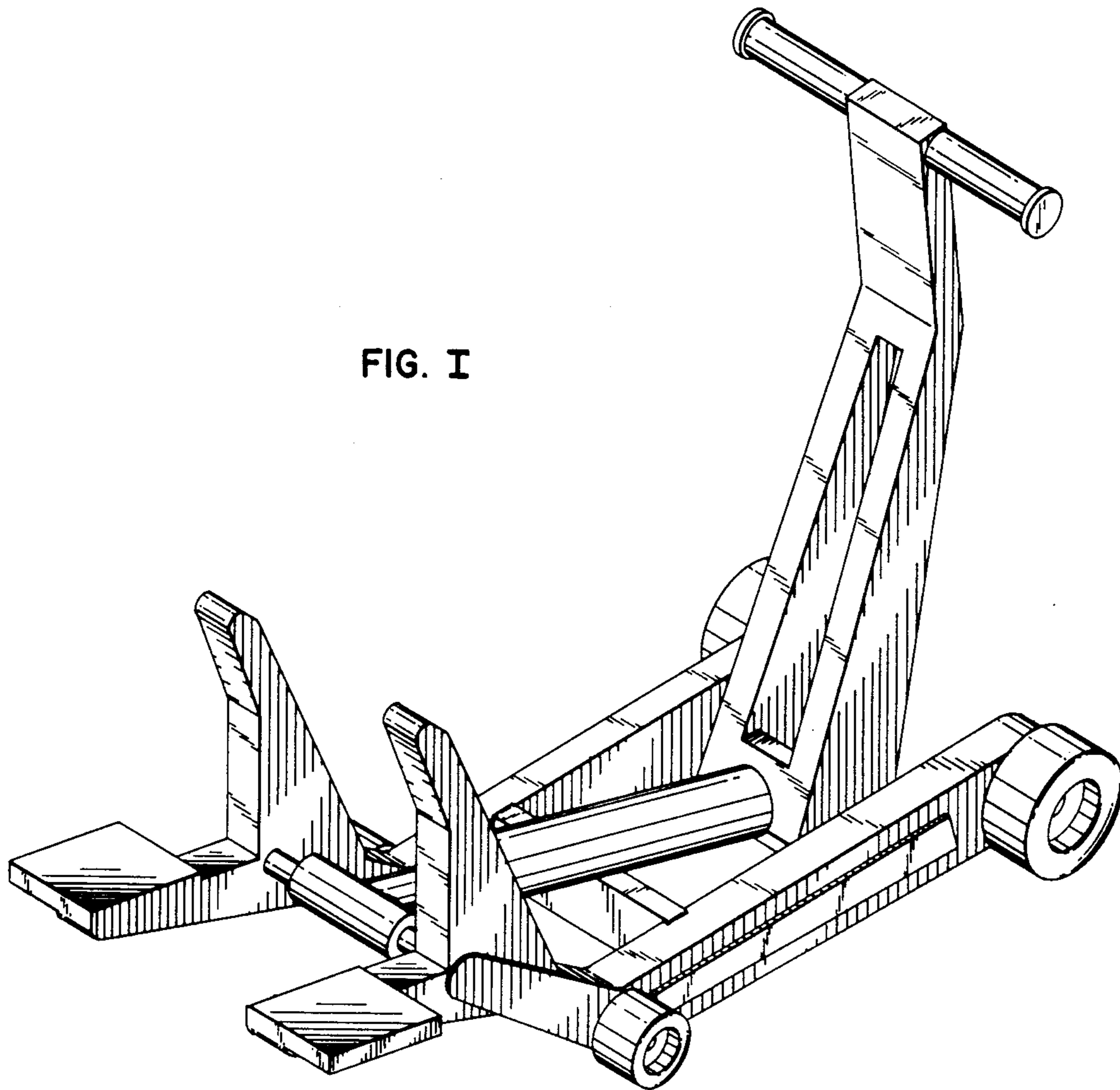


FIG. I

FIG. II

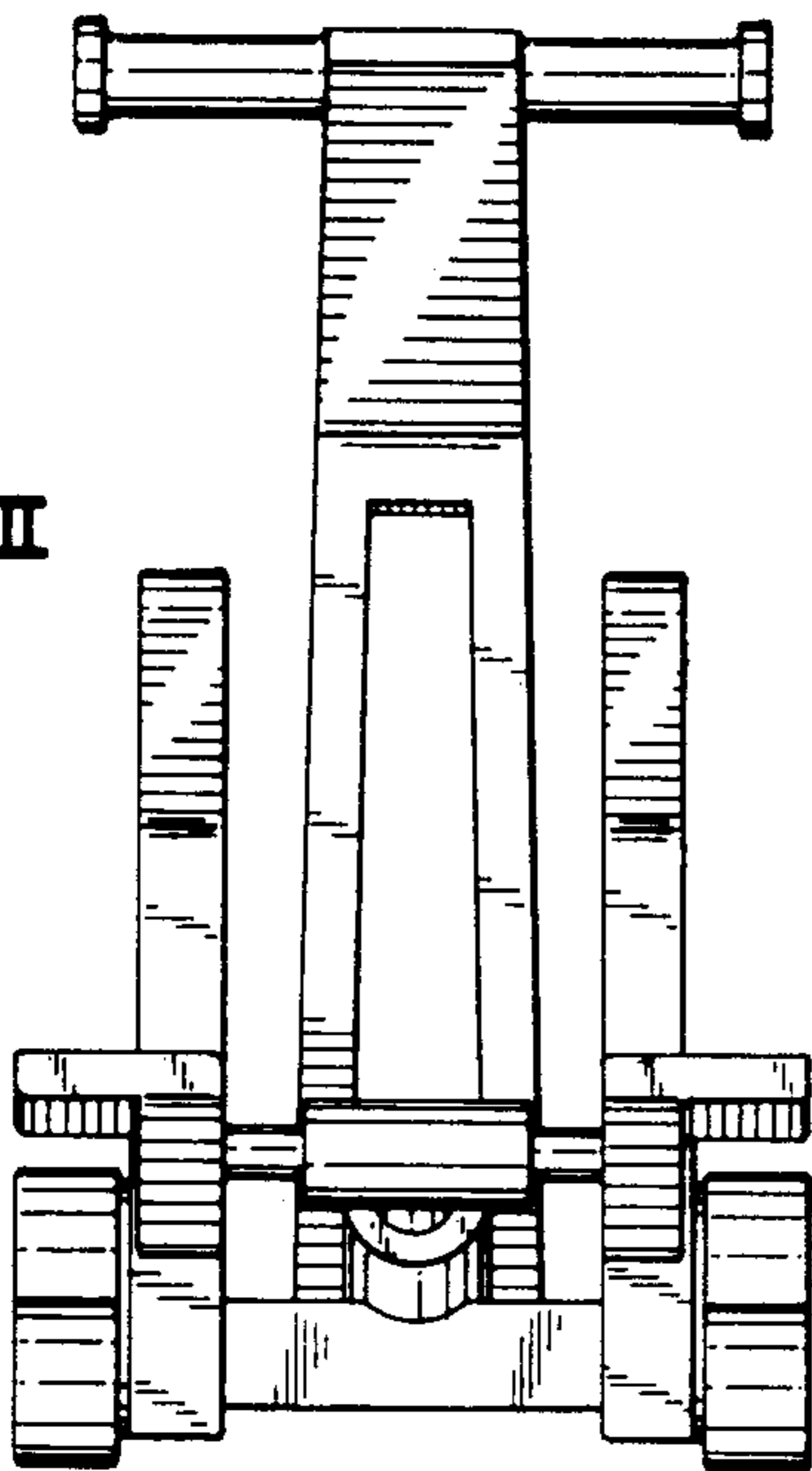


FIG. III

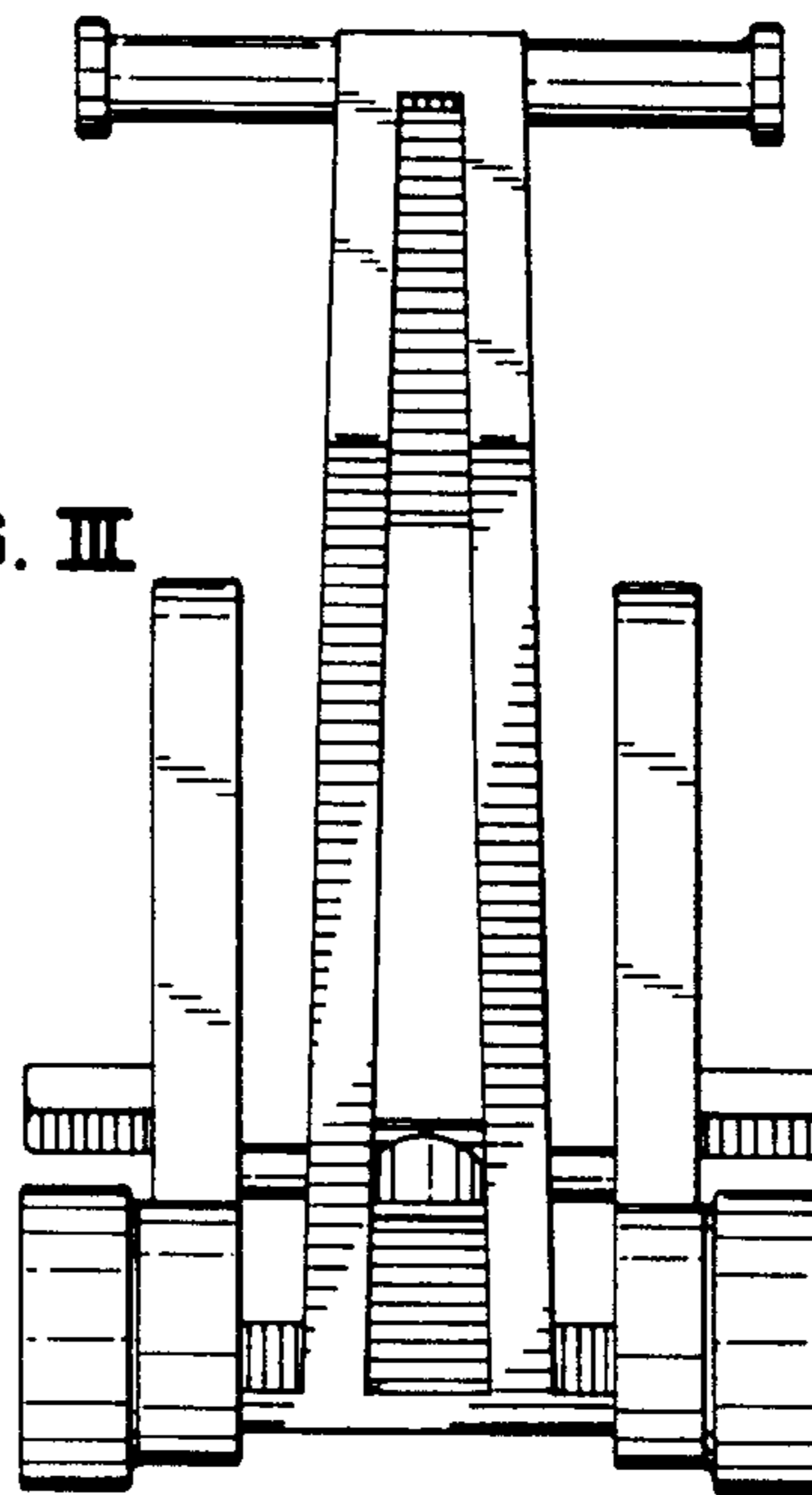


FIG. IV

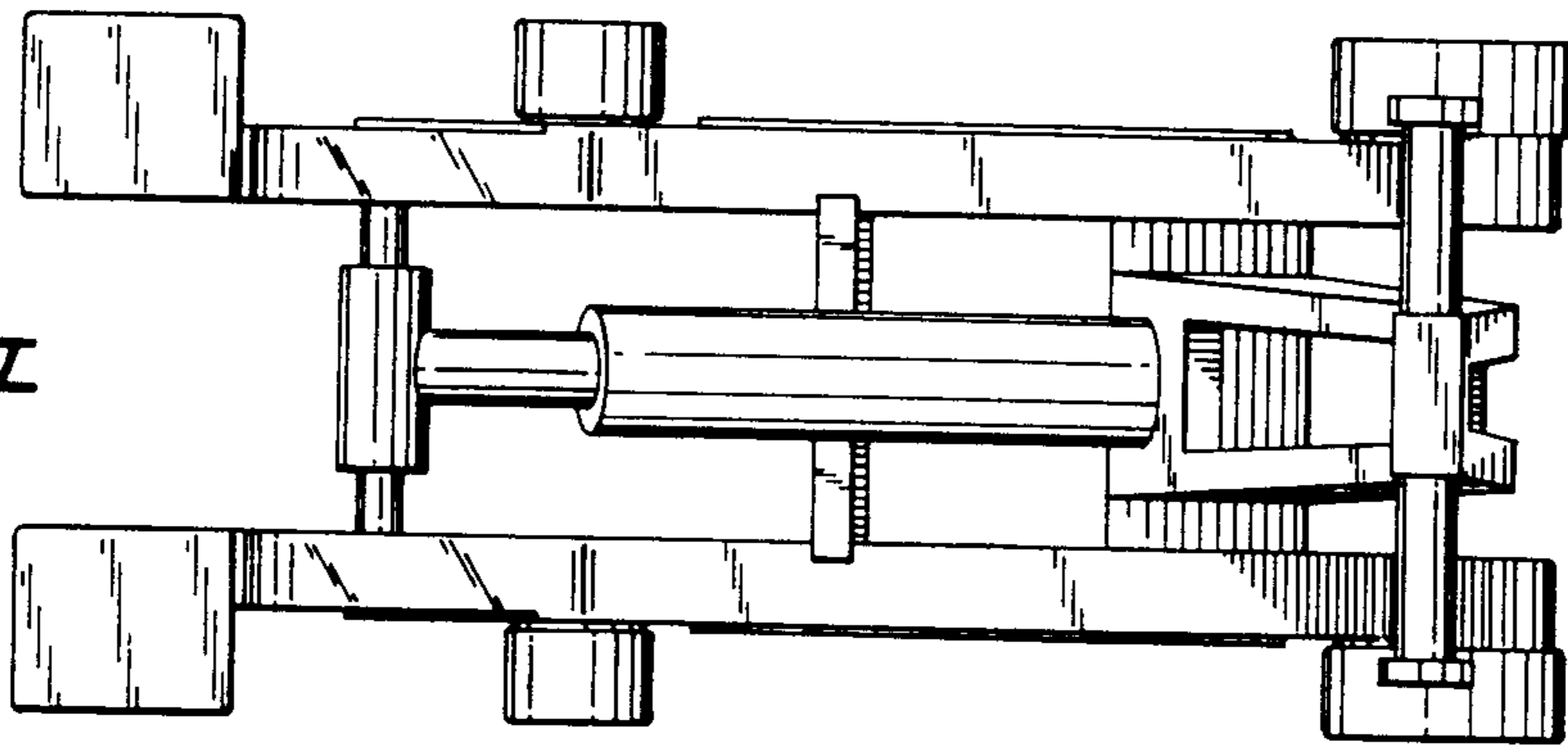


FIG. V

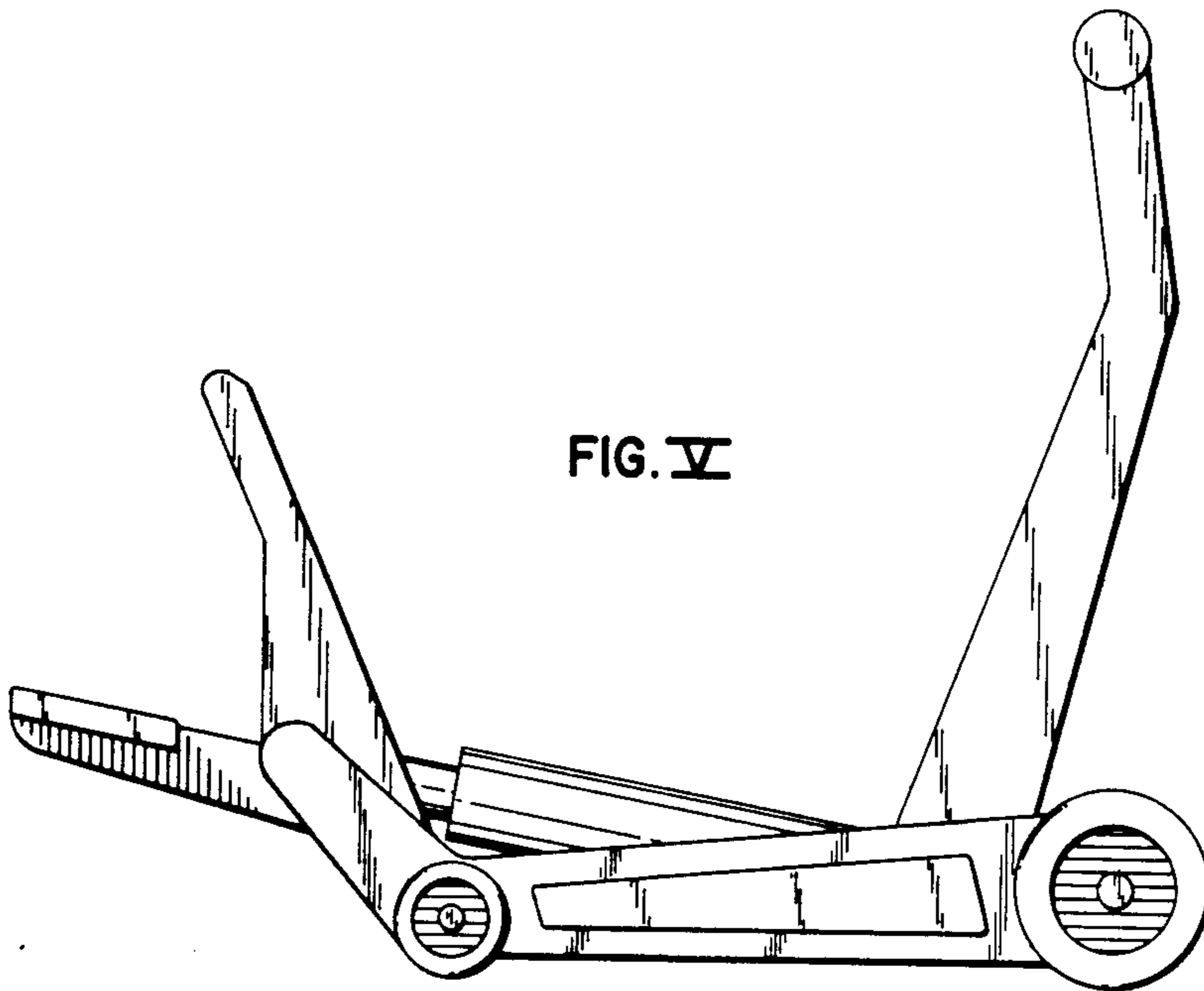


FIG. VI

