

[54] COMBINED DIGITAL CLOCK AND CALCULATOR

[75] Inventor: Kenji Shimasaki, Hong Kong

[73] Assignee: Cassia Electronic Products Limited, Aberdeen, Hong Kong

[**] Term: 14 Years

[21] Appl. No.: 970,114

[22] Filed: Dec. 18, 1978

[30] Foreign Application Priority Data

Oct. 18, 1978 [GB] United Kingdom 986915/78

[51] Int. Cl. D18-01

[52] U.S. Cl. D18/7; D10/15; D10/18

[58] Field of Search D18/2, 6-8, D18/11, 12; D14/72-74, 45; D10/2, 15, 18; 364/706-710; 200/5 A; 58/152 R

[56] References Cited

U.S. PATENT DOCUMENTS

D. 252,801 9/1979 Usuda D10/15

OTHER PUBLICATIONS

Popular Science, 9/1977, p. 26—calculator at bottom right.

Primary Examiner—Louis S. Zarfes
Attorney, Agent, or Firm—Martin Fleit

[57] CLAIM

The ornamental design for a combined digital clock and calculator, as shown and described.

DESCRIPTION

FIG. 1 is a perspective view of a combined digital clock and calculator showing my new design; FIG. 2 is a right end view thereof; FIG. 3 is a top plan view thereof; FIG. 4 is a rear elevational view thereof; FIG. 5 is a perspective view thereof in open position; and FIG. 6 is a perspective view thereof showing the bottom.

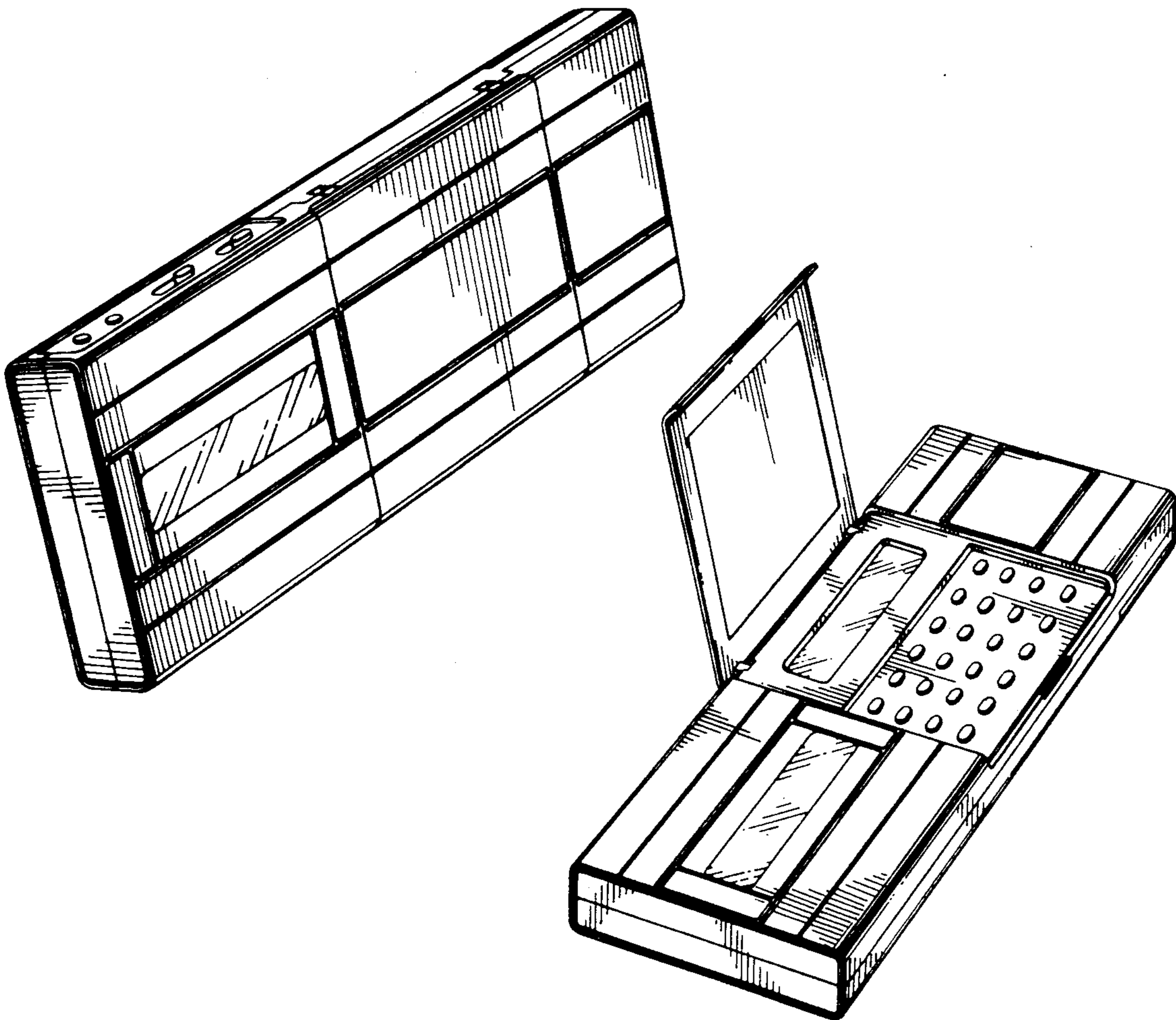


FIG. 1.

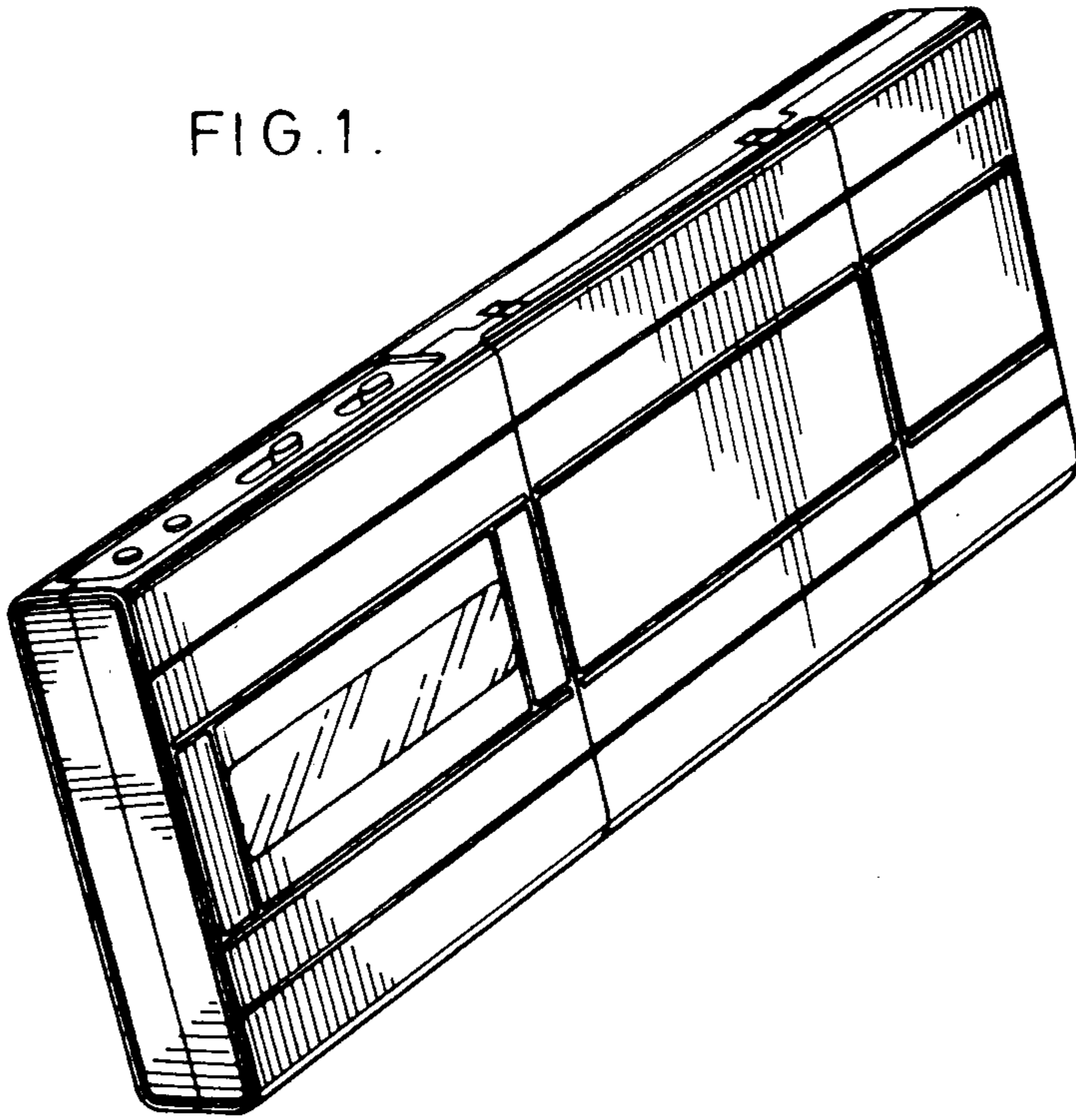


FIG. 2.

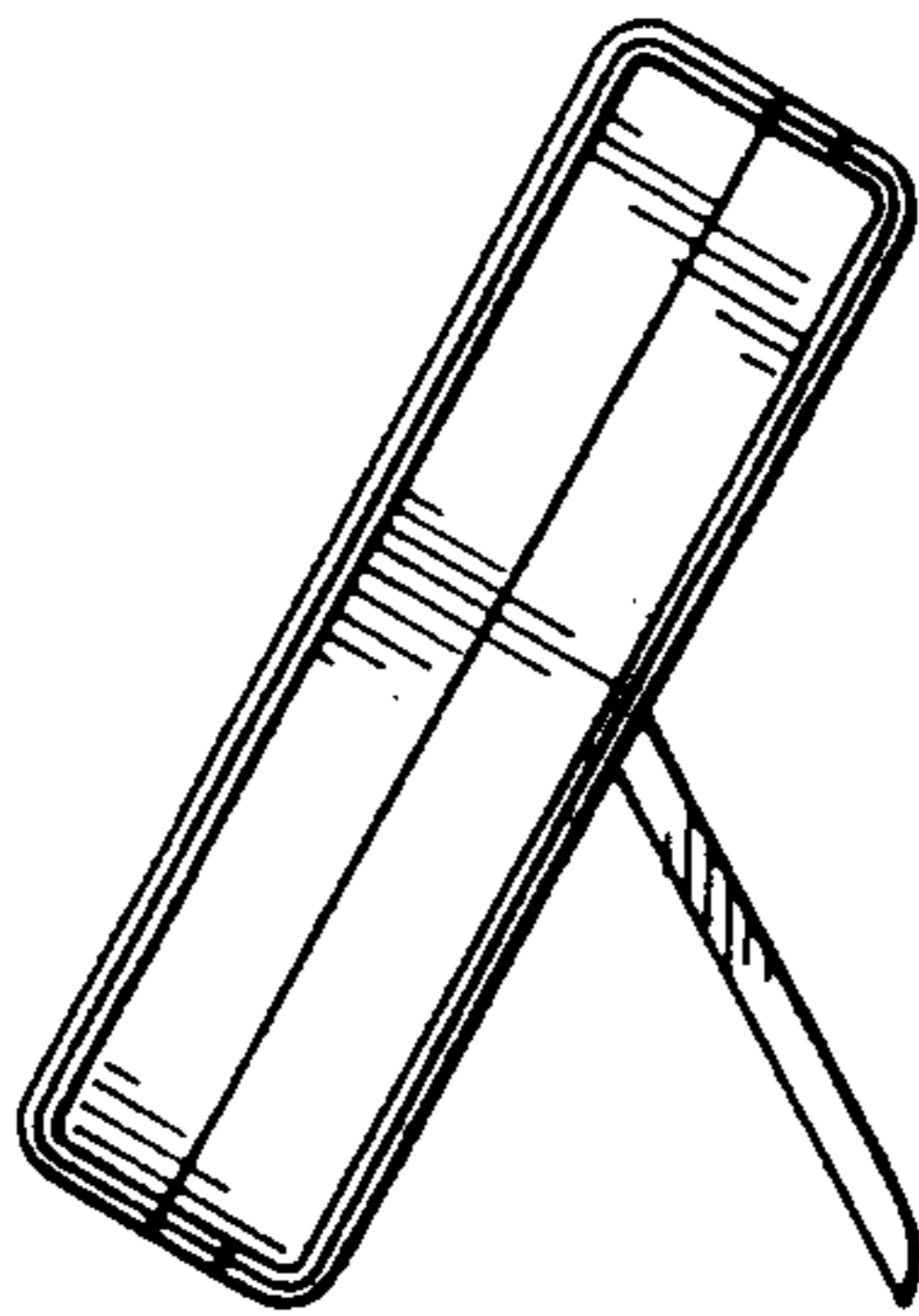


FIG. 3.

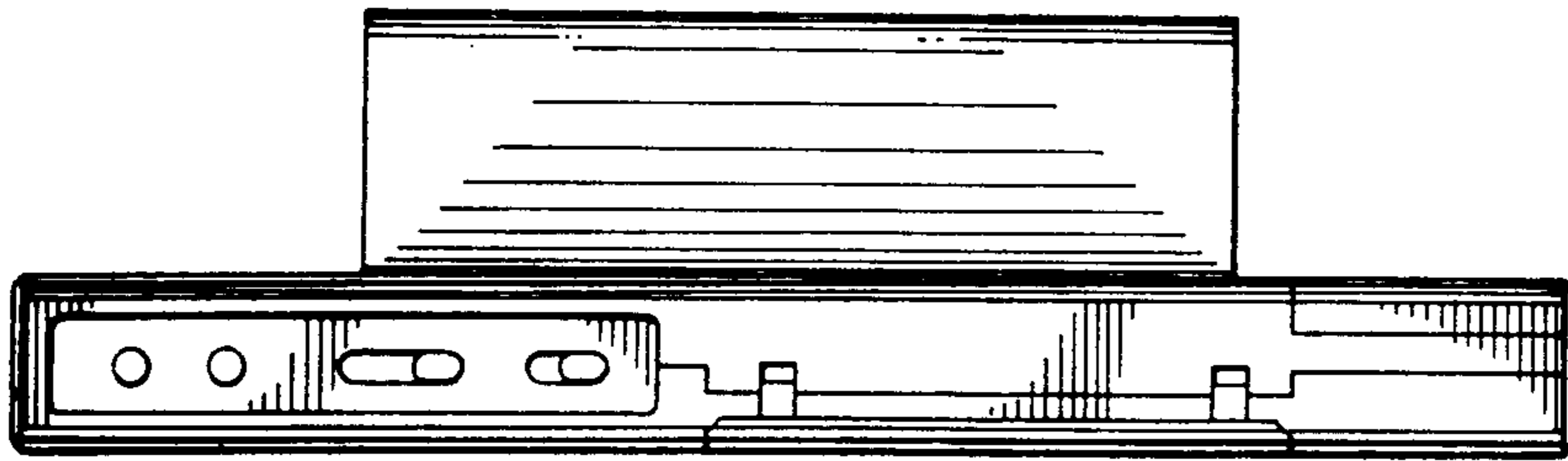
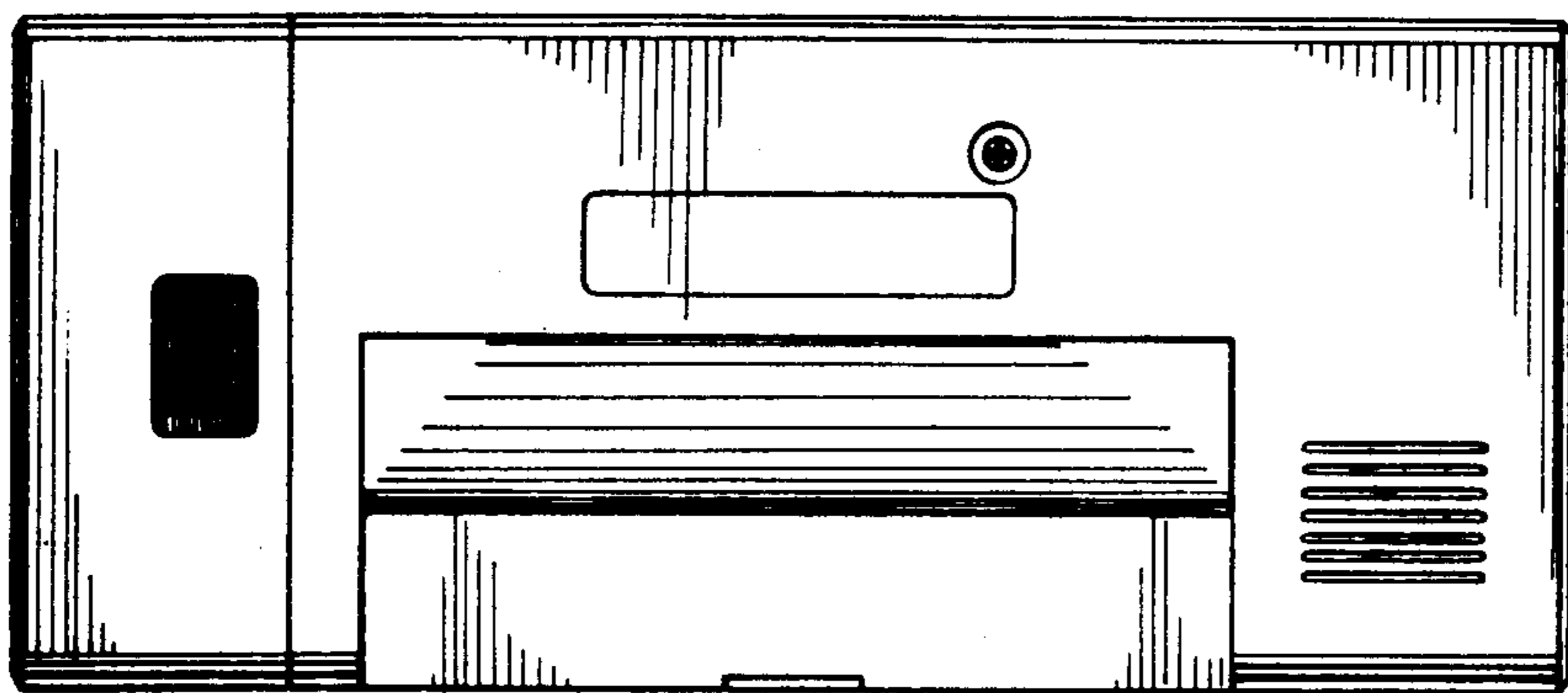


FIG. 4.



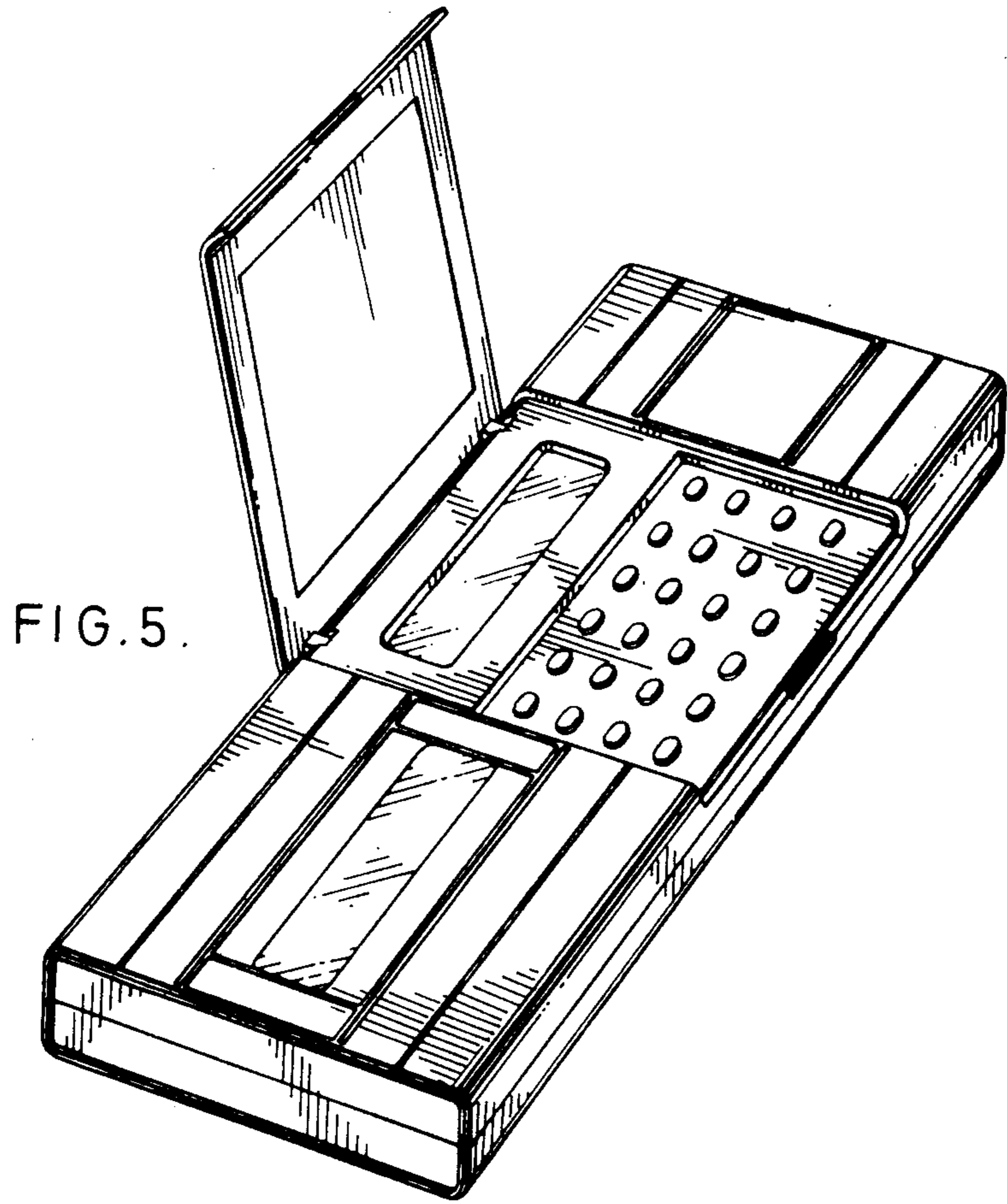


FIG. 5.

FIG. 6.

