

[54] VIBRATORY STRAINING MACHINE

[56]

References Cited

U.S. PATENT DOCUMENTS

[75] Inventor: Geoffrey H. Lydford, Orpington, England

2,025,883	12/1935	Mobley	210/104
2,056,887	10/1936	Pecker	210/360 R
2,085,075	6/1937	Delano	210/360 R
2,365,221	12/1944	Shafor	210/104
4,094,784	6/1978	Hirano	210/384

[73] Assignee: Russell Finex Limited, London, England

Primary Examiner—W. Stallard
Attorney, Agent, or Firm—Edward F. Connors

[**] Term: 14 Years

[57] CLAIM

[21] Appl. No.: 856,541

The ornamental design for a vibratory straining machine, substantially as shown.

[22] Filed: Nov. 30, 1977

DESCRIPTION

[30] Foreign Application Priority Data

Sep. 21, 1977 [GB] United Kingdom 981598/77

FIG. 1 is a front elevational view of a vibratory straining machine embodying my new design.
 FIG. 2 is an elevational view of the machine from the rear.
 FIG. 3 is an elevational view of the machine from one side.
 FIG. 4 is an elevational view from the other side.
 FIG. 5 is a perspective view of the machine from the front and said other side.
 FIG. 6 is a perspective view of the machine from above and slightly to the front and said one side.

[51] Int. Cl. D15—08
 [52] U.S. Cl. D15/147
 [58] Field of Search D15/147, 124;
 210/360 R, 104, 110, 111, 125, 128, 384, 388;
 209/269

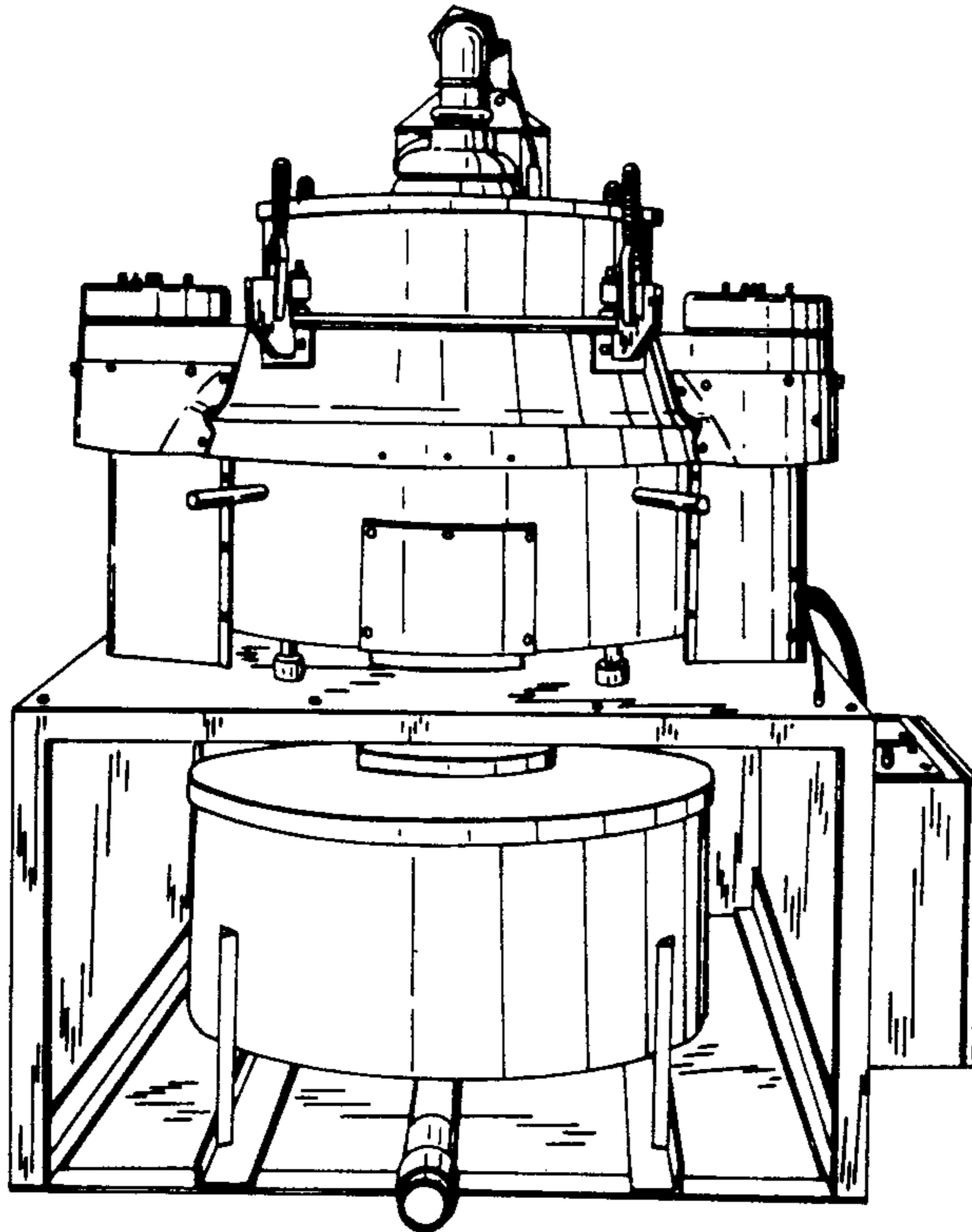


FIG. 1.

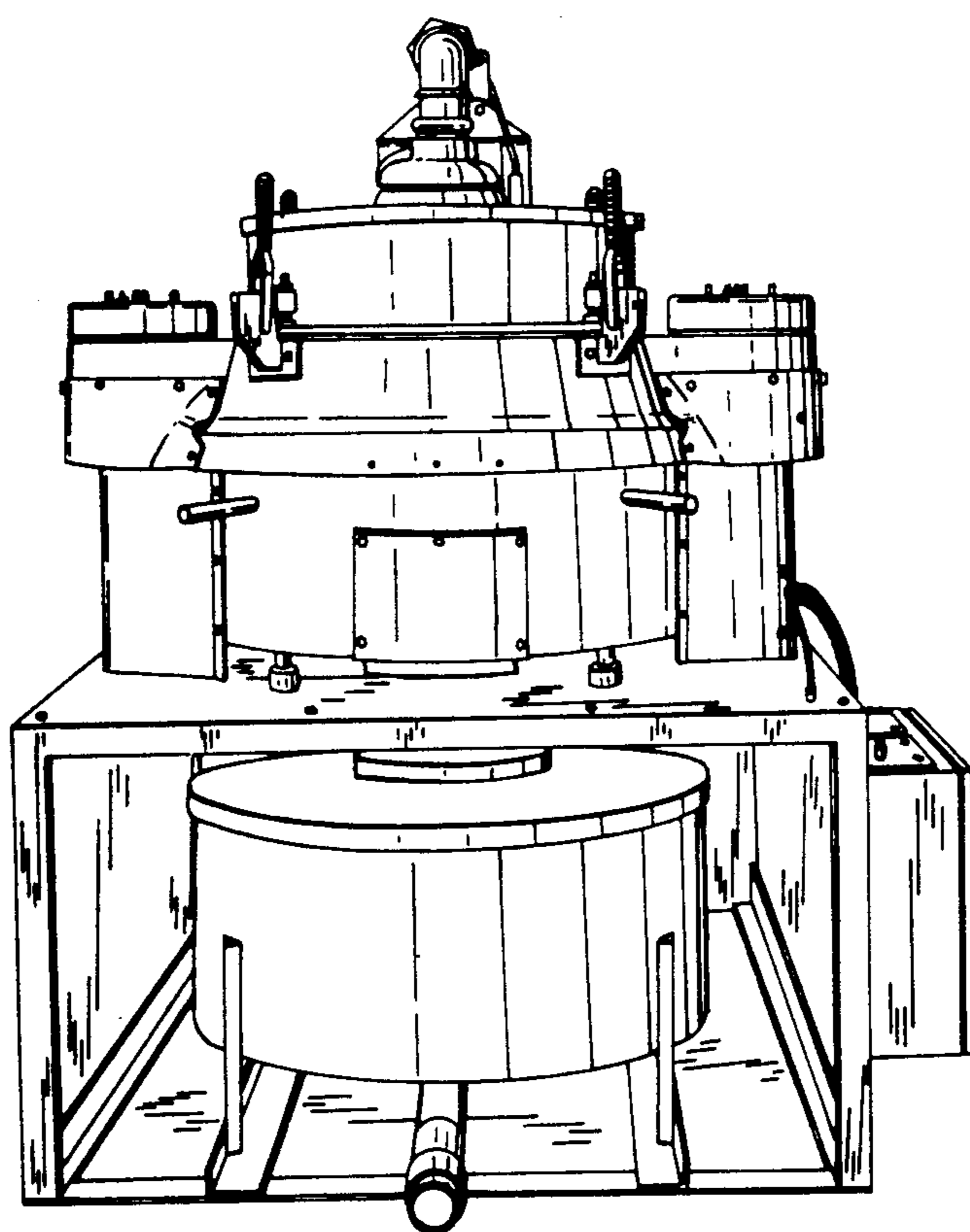


FIG. 2.

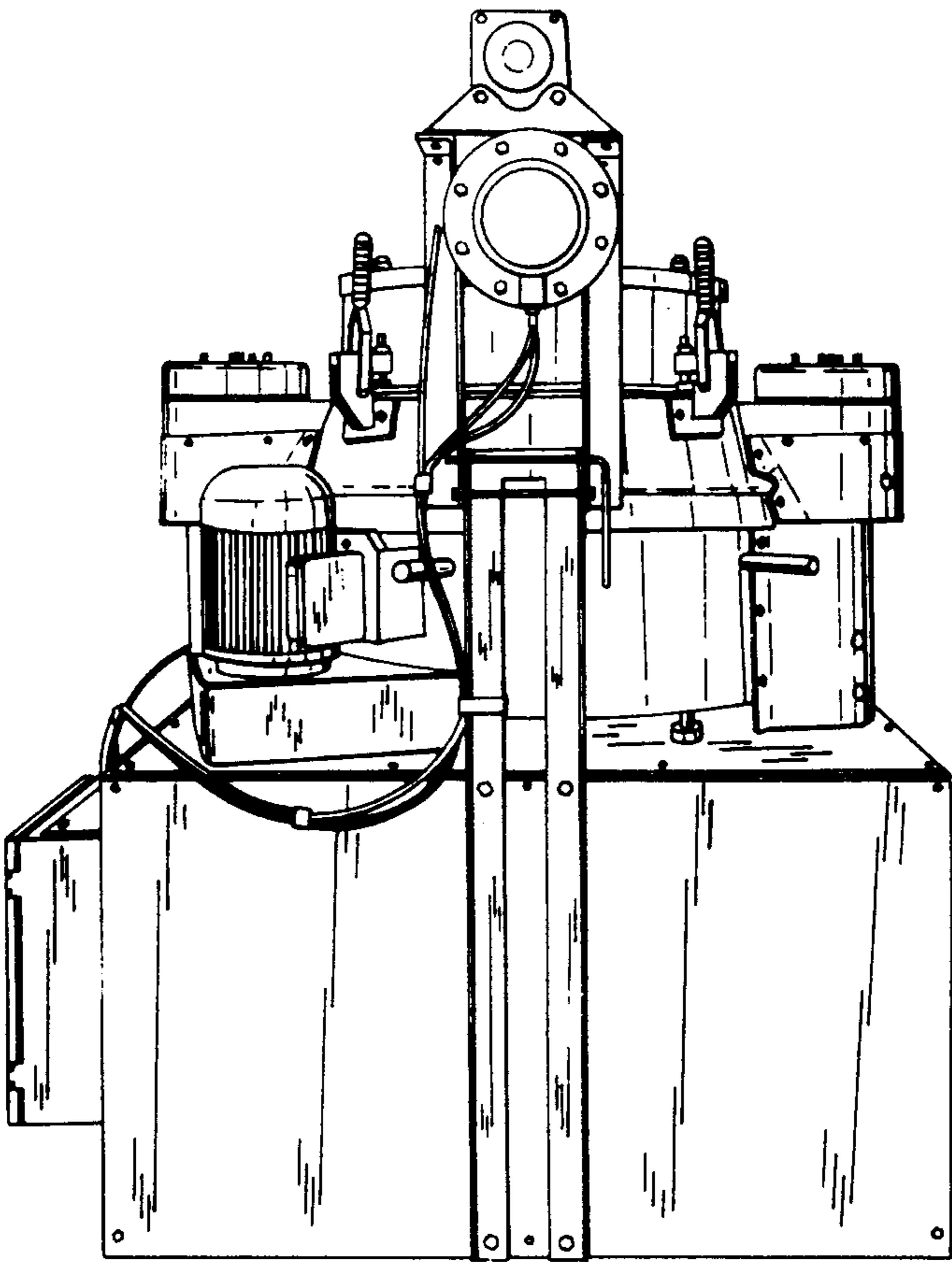


FIG. 3.

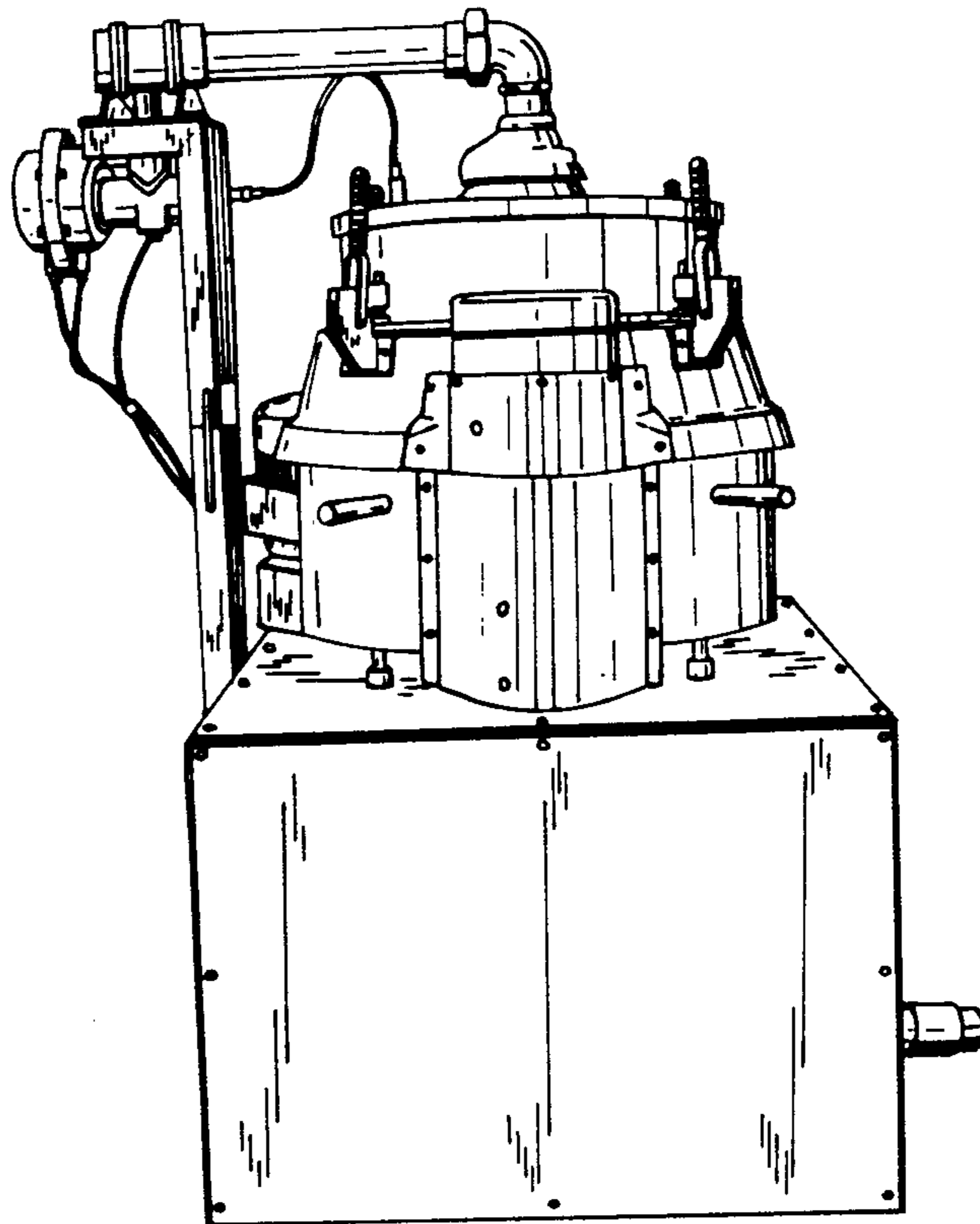


FIG. 4.

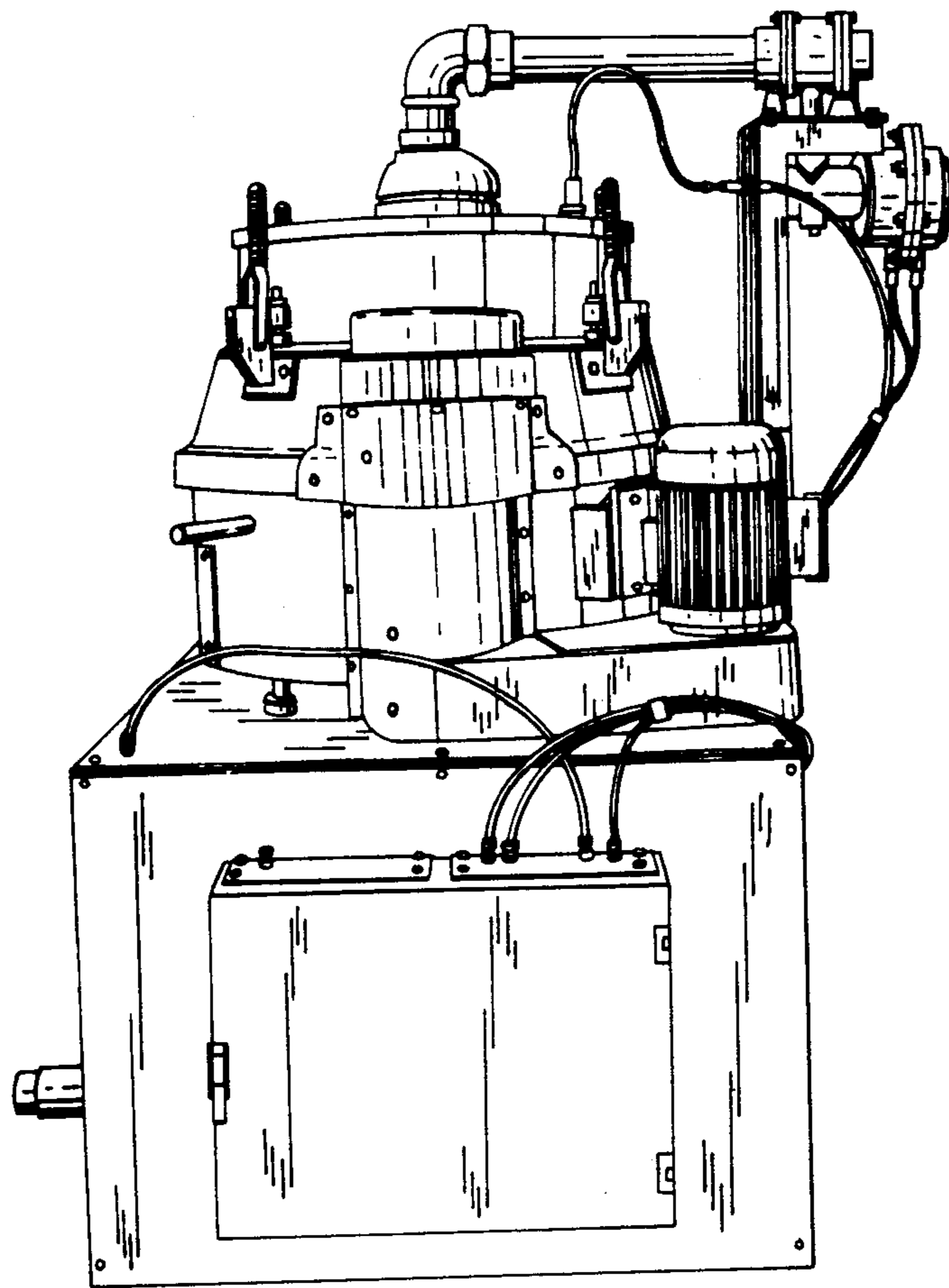


FIG. 5.

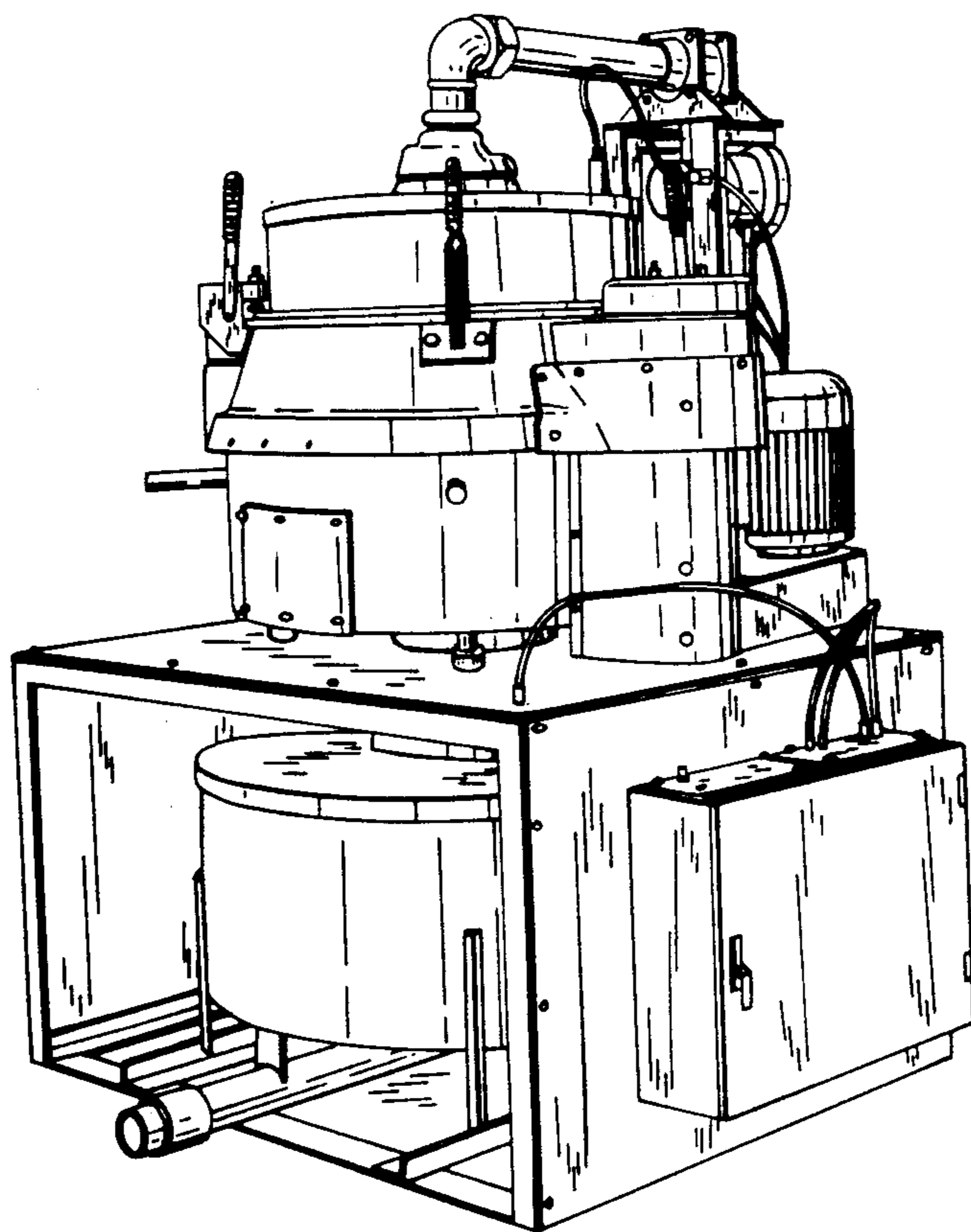


FIG. 6.

