

[54] DRYING TRAY FOR FRUIT

[76] Inventor: George D. Negrete, 15156 S. Cedar, Fresno, Calif. 93725

[**] Term: 14 Years

[21] Appl. No.: 47,033

[22] Filed: Jun. 11, 1979

[51] Int. Cl. D15-99; D07-99

[52] U.S. Cl. D15/92; D7/37; D7/130; D99/46

[58] Field of Search D9/242, 243, 244, 248, D9/219; D7/37, 130, 196; D3/67, 68; D15/92, 104, 108, 109, 110; 206/562

[56] References Cited

U.S. PATENT DOCUMENTS

- D. 64,912 6/1924 McCorkell D9/242
- D. 137,659 4/1944 Monroe D15/92
- D. 197,672 3/1964 Rebka D3/68 X

- D. 223,276 4/1972 Macowski, Jr. D7/37 X
- D. 245,070 7/1977 Congleton D9/242 X
- 1,343,629 6/1920 Lea 206/562 X
- 3,392,877 7/1968 Sanders D3/67 X

Primary Examiner—Winifred E. Herrmann

[57] CLAIM

The ornamental design for a drying tray for fruit, as shown and described.

DESCRIPTION

FIG. 1 is a perspective view of the drying tray for fruit showing my new design.

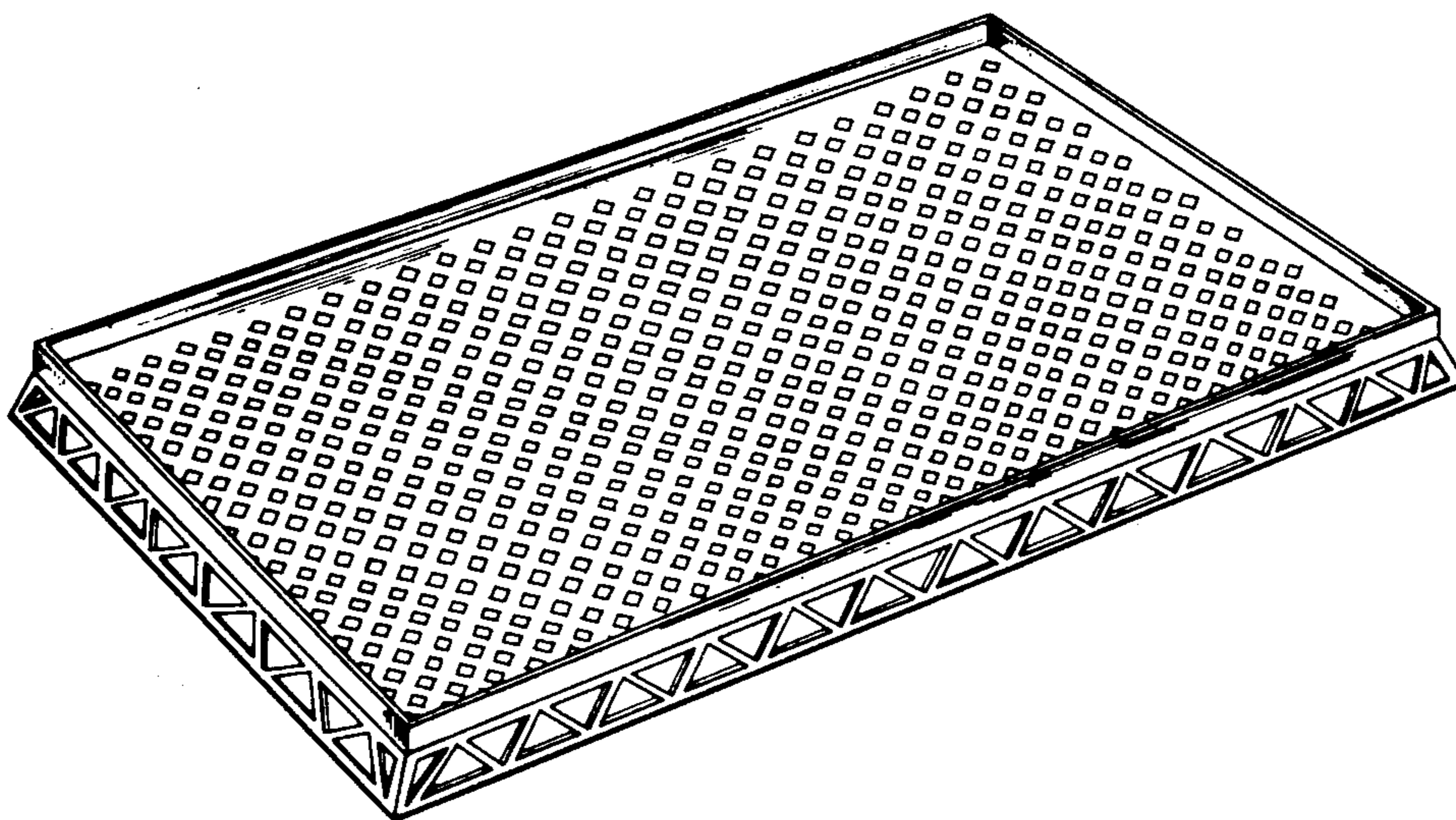
FIG. 2 is a top plan view thereof.

FIG. 3 is a side elevational view thereof, with the opposite side being identical to the side shown.

FIG. 4 is an end elevational view thereof.

FIG. 5 is a bottom plan view thereof.

The perforated pattern has been partially shown in FIGS. 2 and 5 for convenience of illustration, it being understood that the pattern is completely disclosed in FIG. 1.



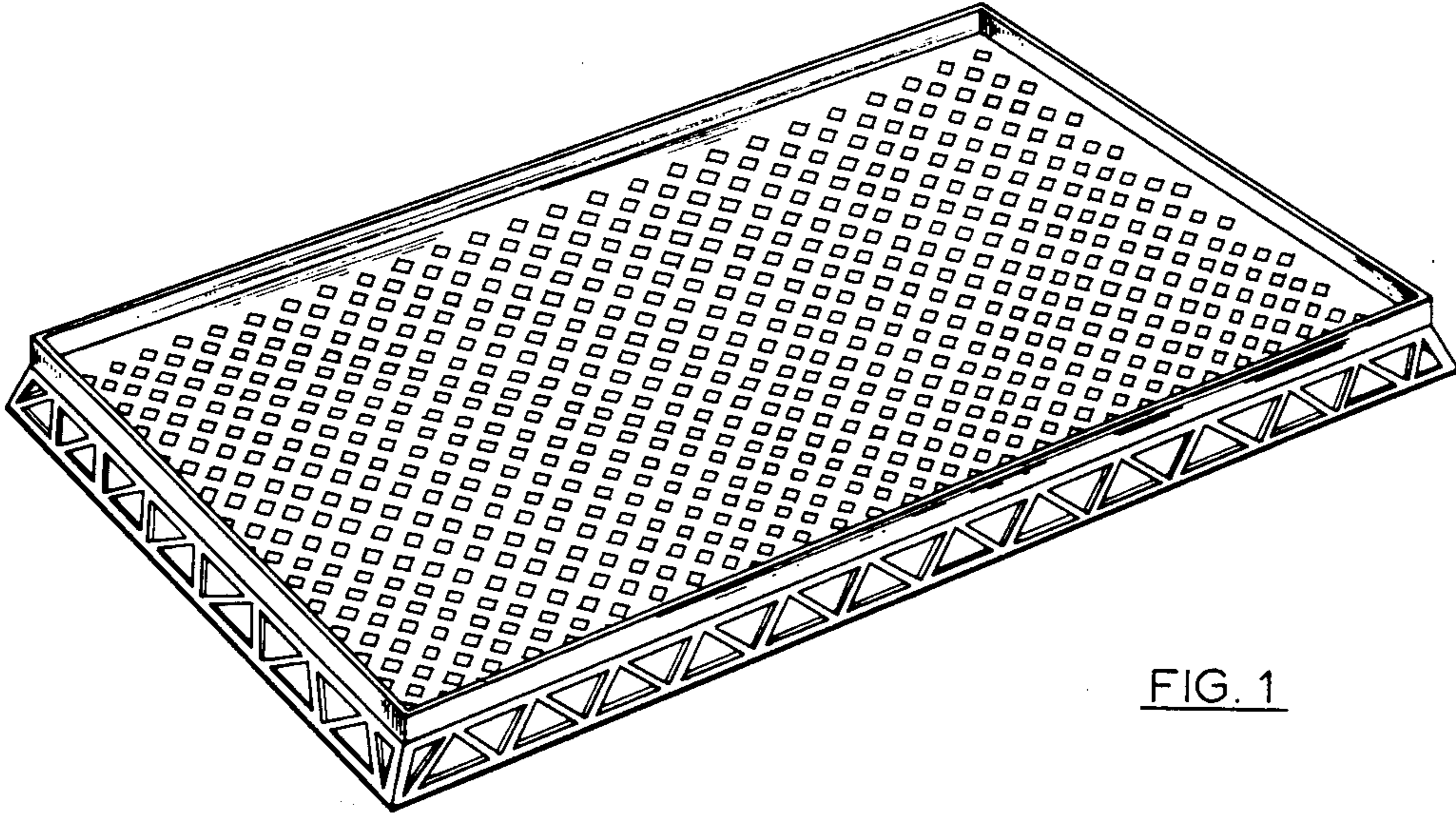


FIG. 1

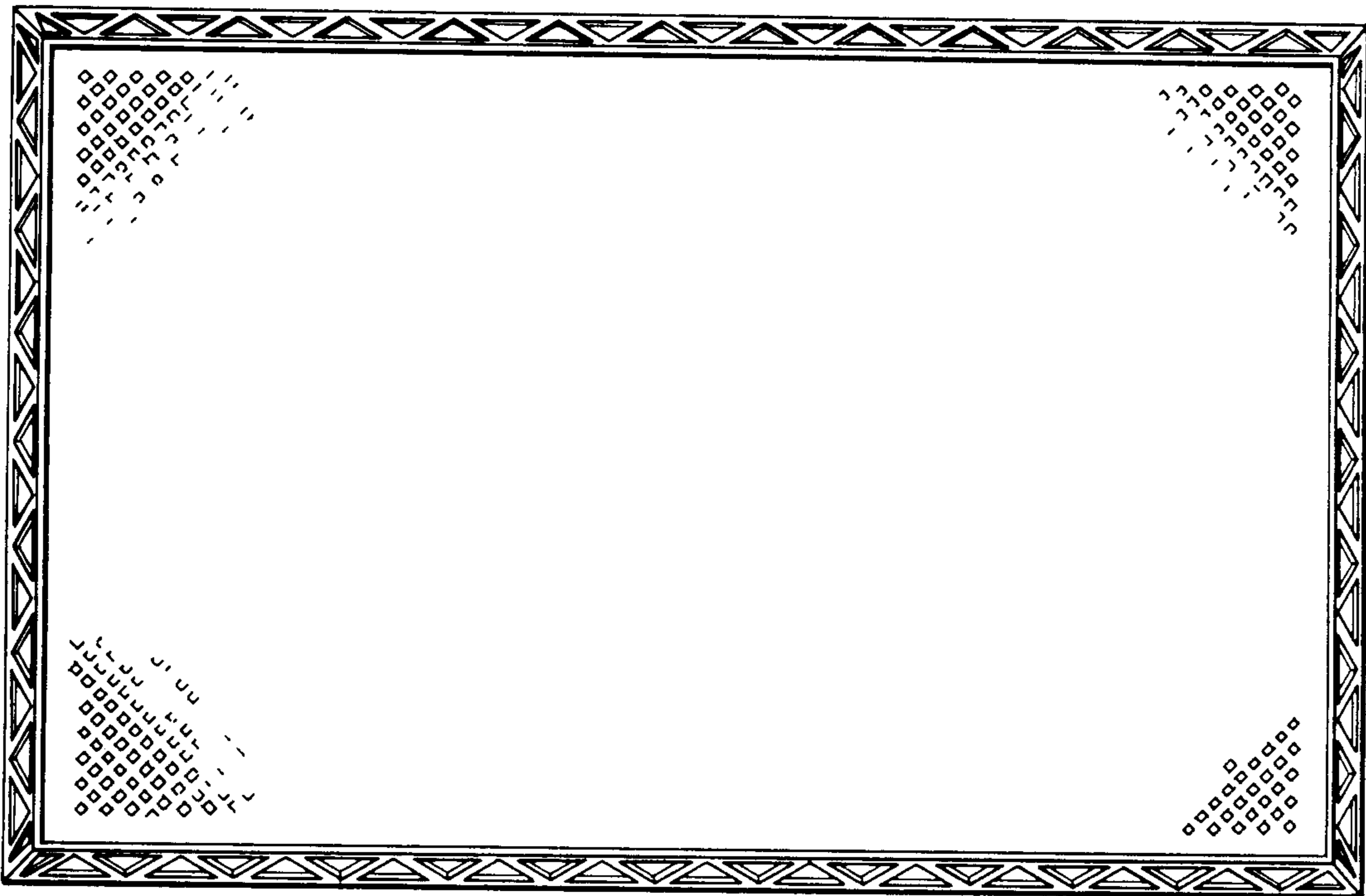


FIG. 2



FIG. 3



FIG. 4

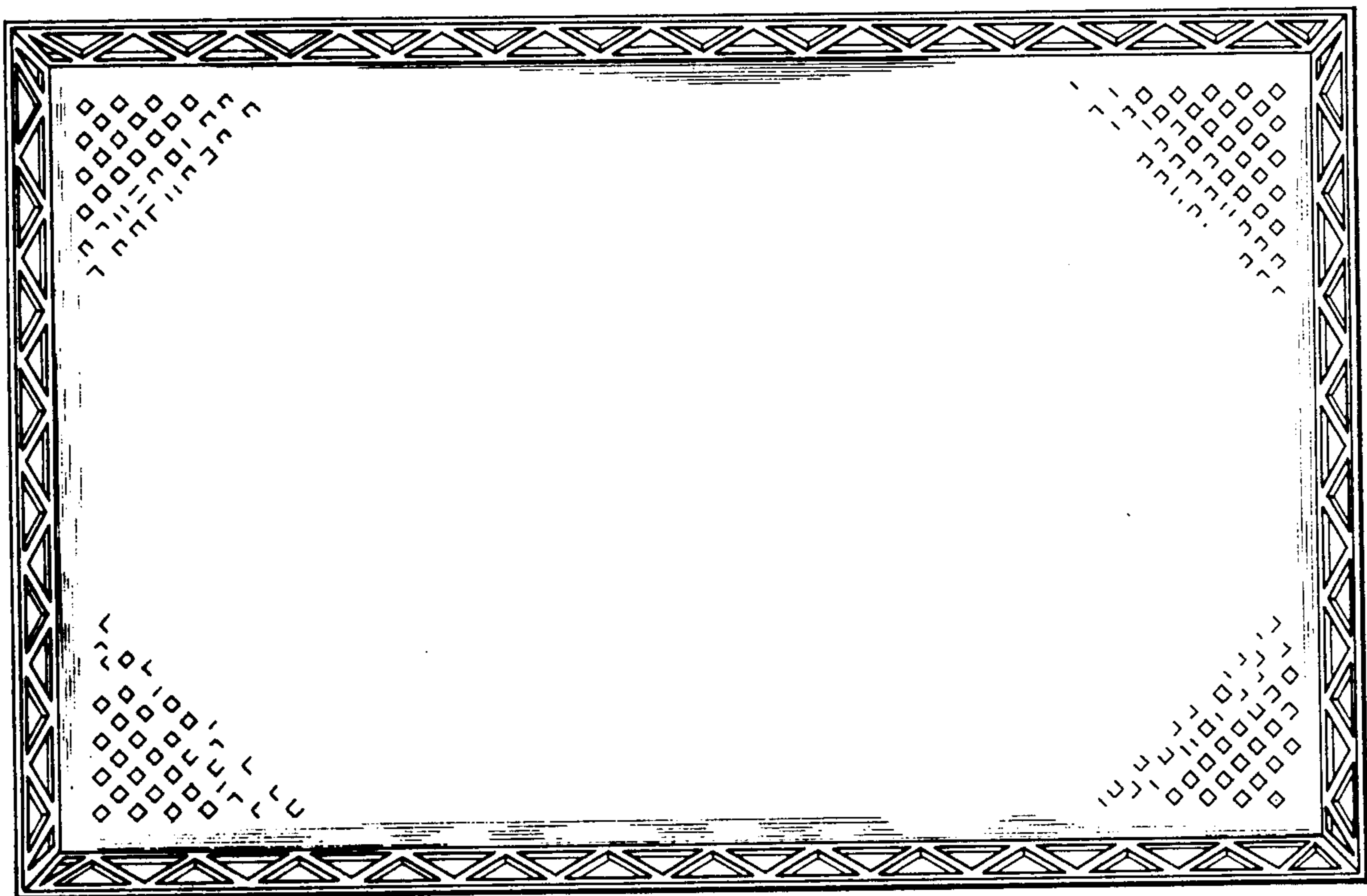


FIG. 5