

[54] HEAD FOR A CONTOUR FORMING UNDERWATER VACUUM SWEEP

| | | | |
|-----------|--------|------------|--------|
| 3,273,188 | 9/1966 | Levack | 15/1.7 |
| 3,360,816 | 1/1968 | Fontecchio | 15/1.7 |
| 3,805,309 | 4/1974 | Levack | 15/1.7 |

[75] Inventor: Marty St. Martin, Phoenix, Ariz.

Primary Examiner—Catherine E. Kemper
Attorney, Agent, or Firm—C. Robert von Hellens

[73] Assignee: Maxi-Sweep, Inc., Phoenix, Ariz.

[**] Term: 14 Years

[57] CLAIM

[21] Appl. No.: 901,280

The ornamental design for a head for a contour forming underwater vacuum sweep, as shown and described.

[22] Filed: Apr. 27, 1978

DESCRIPTION

[51] Int. Cl. D15-05

FIG. 1 is a perspective view of a head for a contour forming underwater vacuum sweep showing my new design;

[52] U.S. Cl. D15/63

FIG. 2 is a fragmentary right side elevational view shown on an enlarged scale, the left side being a mirror image thereof;

[58] Field of Search D15/34.48, 52, 62, 63; 15/1.7, 415-422

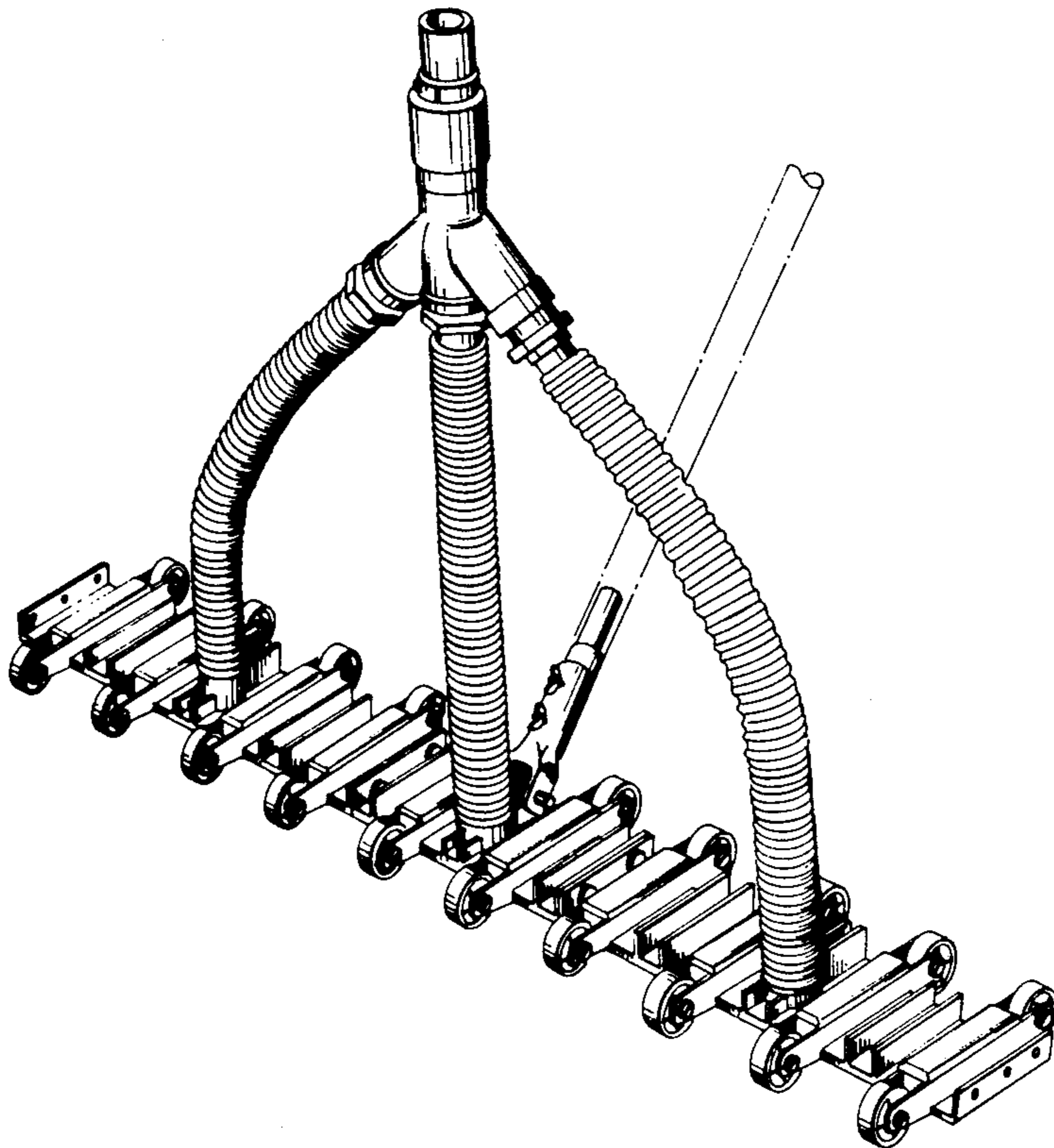
FIG. 3 is a rear elevational view of the device as it appears in FIG. 1; and

[56] References Cited

U.S. PATENT DOCUMENTS

3,243,830 4/1966 Conrad 15/1.7

FIG. 4 is a bottom plan view thereof.



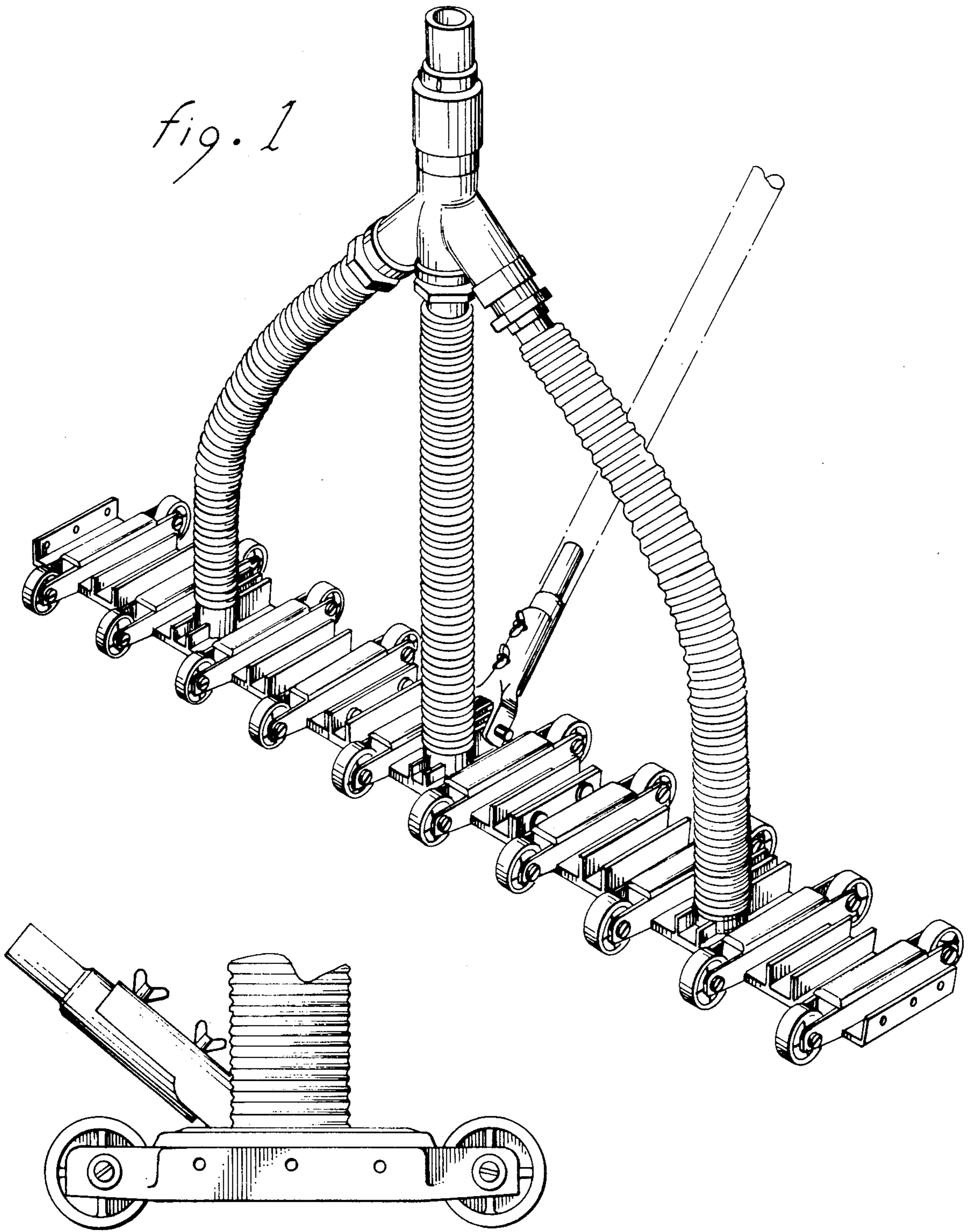


fig. 1

fig. 2

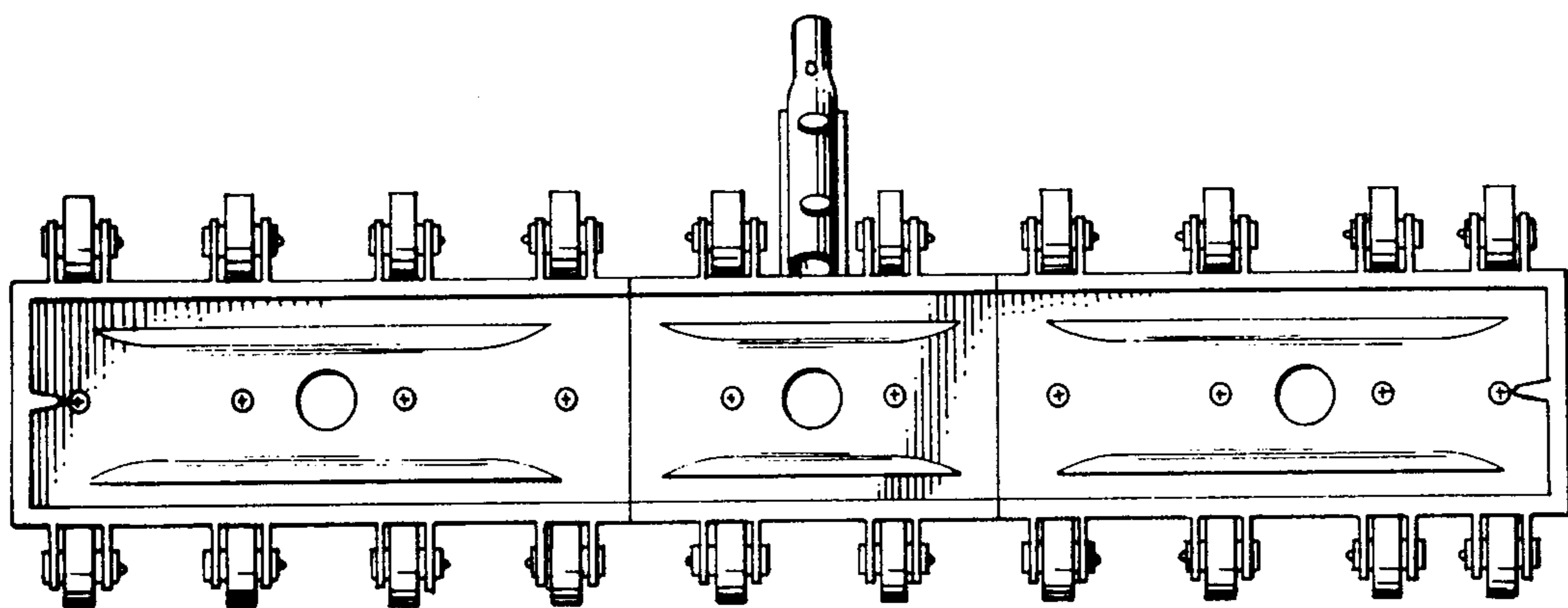
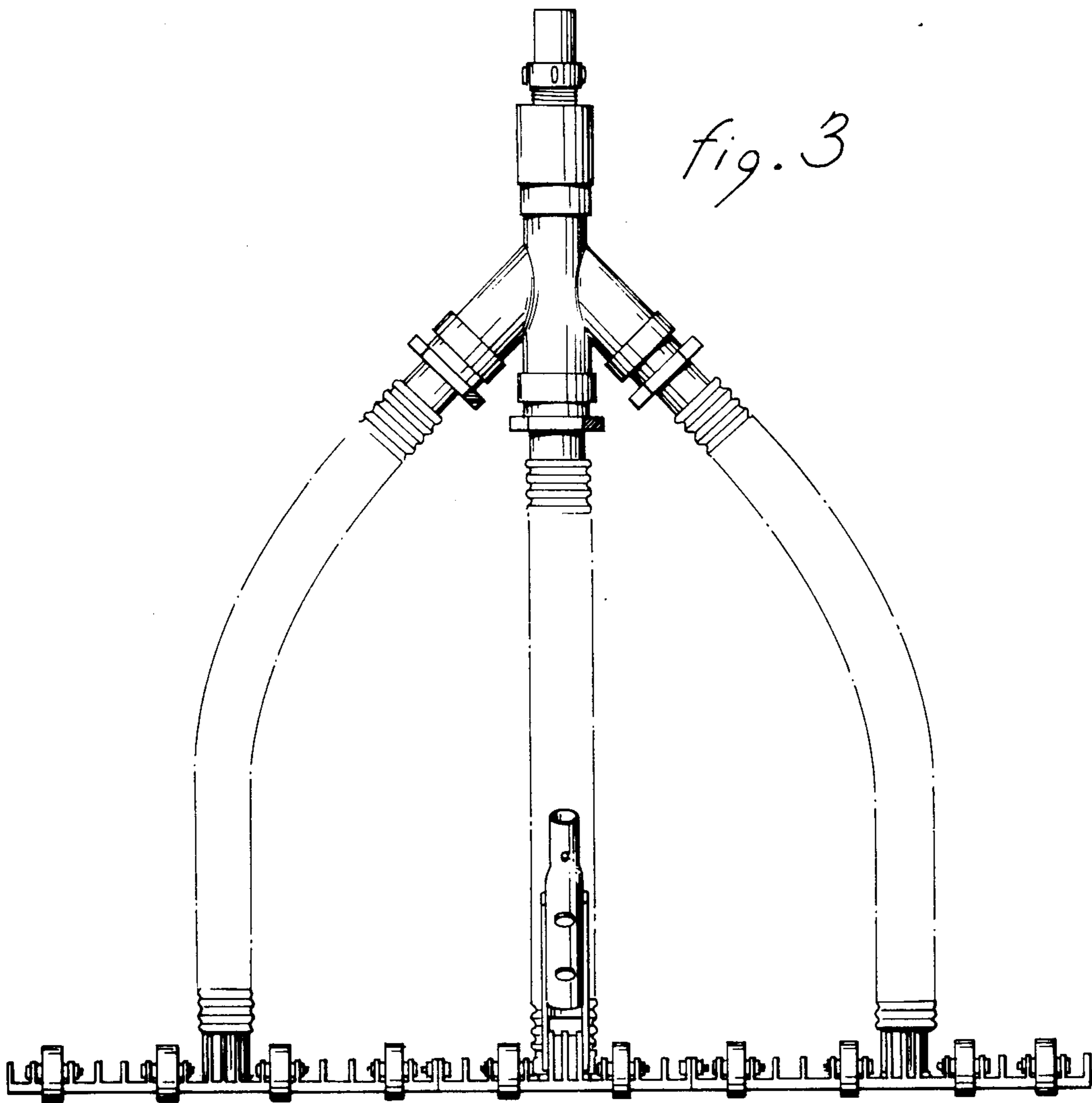


fig. 4