

[54] SUBMERSIBLE PUMP OR THE LIKE

[75] Inventor: Alan Shure, Chicago, Ill.

[73] Assignee: International Components Corporation, Chicago, Ill.

[\*\*] Term: 14 Years

[21] Appl. No.: 9,239

[22] Filed: Feb. 2, 1979

[51] Int. Cl. .... D15-02

[52] U.S. Cl. .... D15/7

[58] Field of Search ..... D15/7-9;  
417/234, 411, 424

[56] References Cited

U.S. PATENT DOCUMENTS

D. 119,404	3/1940	Spiegel .....	D15/7
D. 154,617	7/1949	Mausalis .....	D15/7
D. 160,845	11/1950	Dreyfuss .....	D15/7
D. 191,687	10/1961	Wessels .....	D15/7

D. 229,783	1/1974	Campbell et al. ....	D15/7
D. 236,756	9/1975	Franzen .....	D15/7
D. 246,714	12/1977	Horvath .....	D15/8
3,015,281	1/1962	Umholtz .....	417/234
3,748,066	7/1973	Sully et al. ....	417/424
3,910,715	10/1975	Yedidiah .....	417/424 X
3,999,890	12/1976	Niedermeyer .....	417/40 X

Primary Examiner—James R. Largen  
Attorney, Agent, or Firm—Richard E. Alexander

[57] CLAIM

The ornamental design for a submersible pump or the like, as shown.

DESCRIPTION

FIG. 1 is a perspective view of a submersible pump or the like showing my new design;  
FIG. 2 is a left side elevational view thereof;  
FIG. 3 is a front elevational view thereof;  
FIG. 4 is a rear elevational view thereof;  
FIG. 5 is a right side elevational view thereof;  
FIG. 6 is a top plan view thereof; and  
FIG. 7 is a bottom plan view thereof.

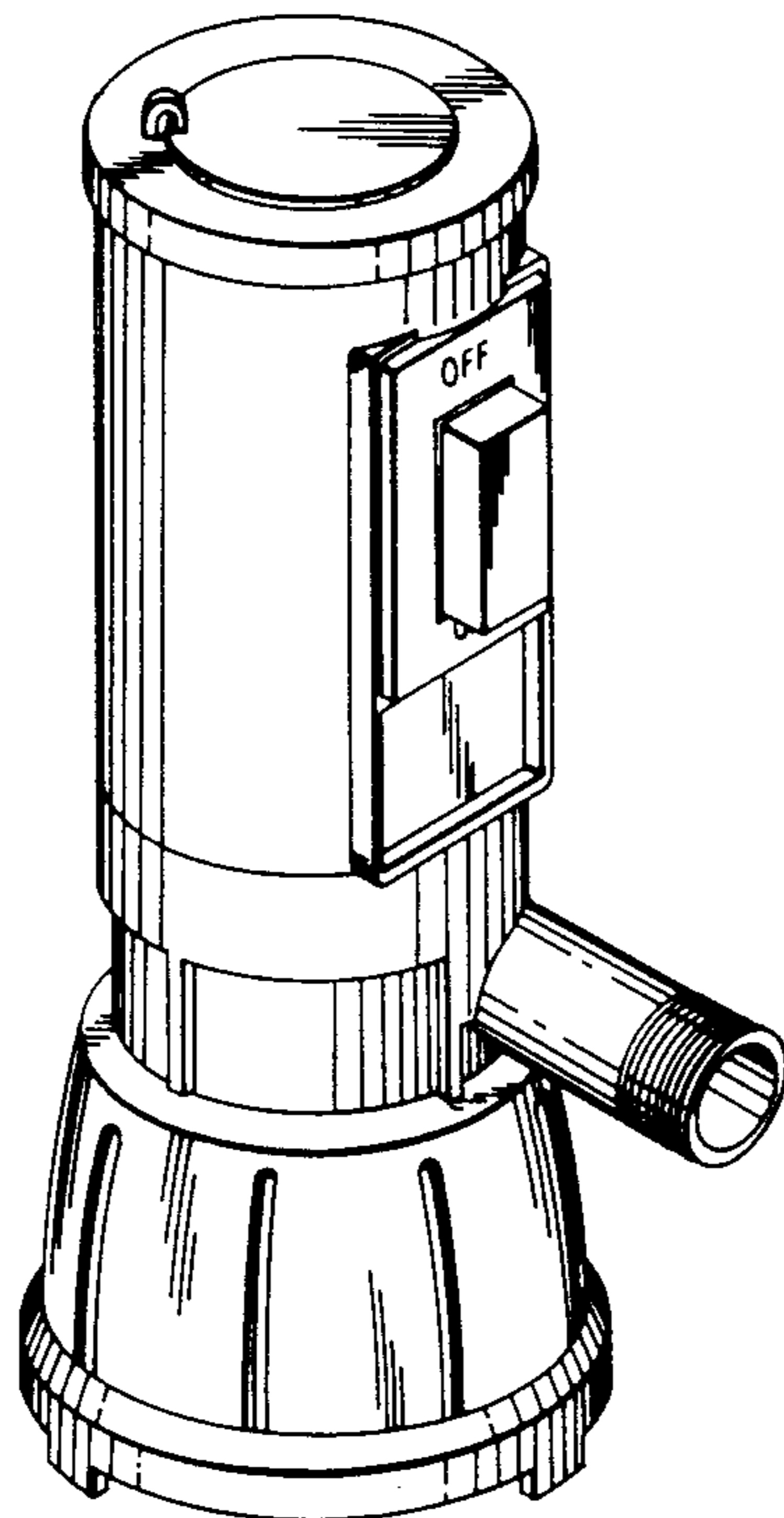


FIG. 1

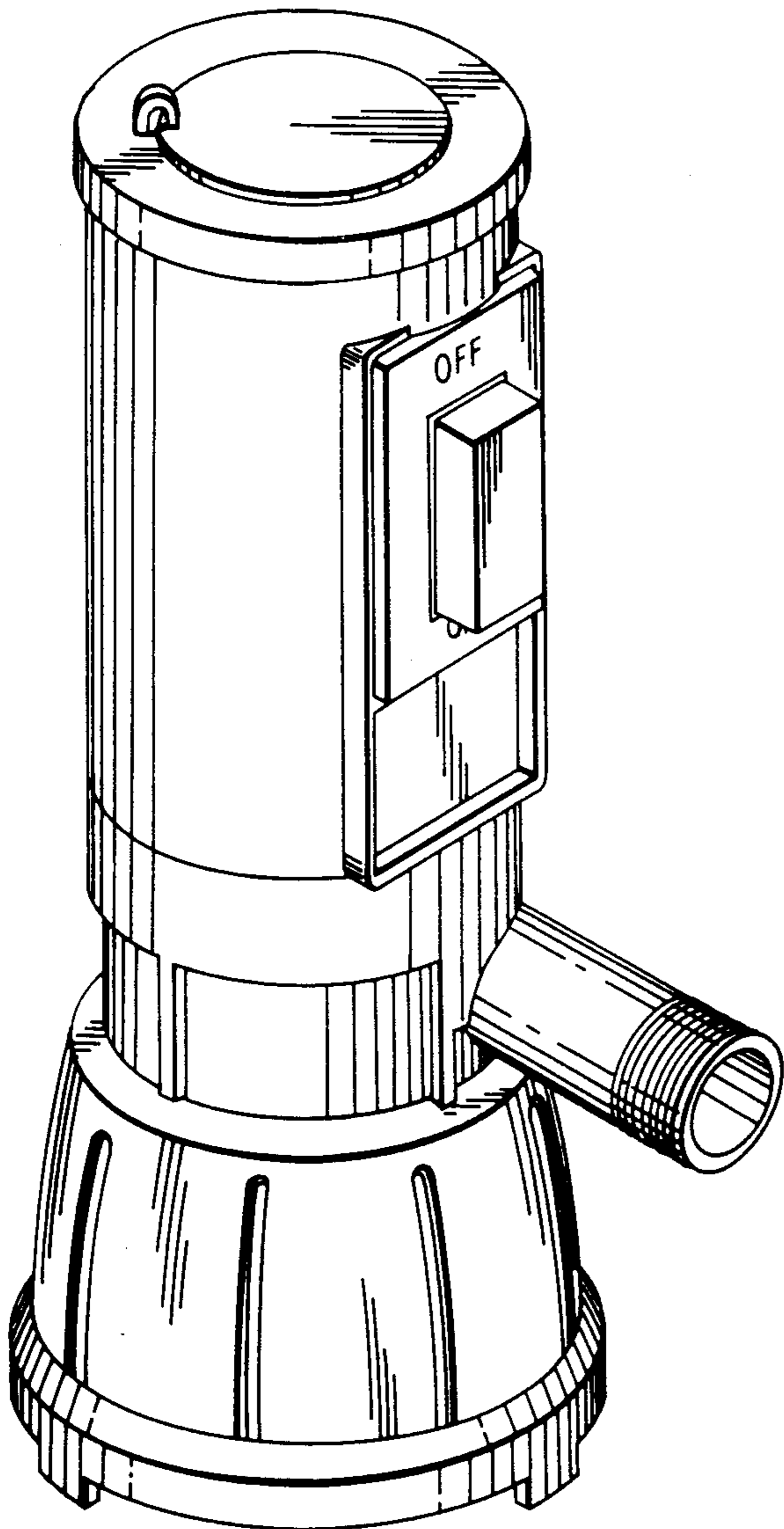


FIG. 2

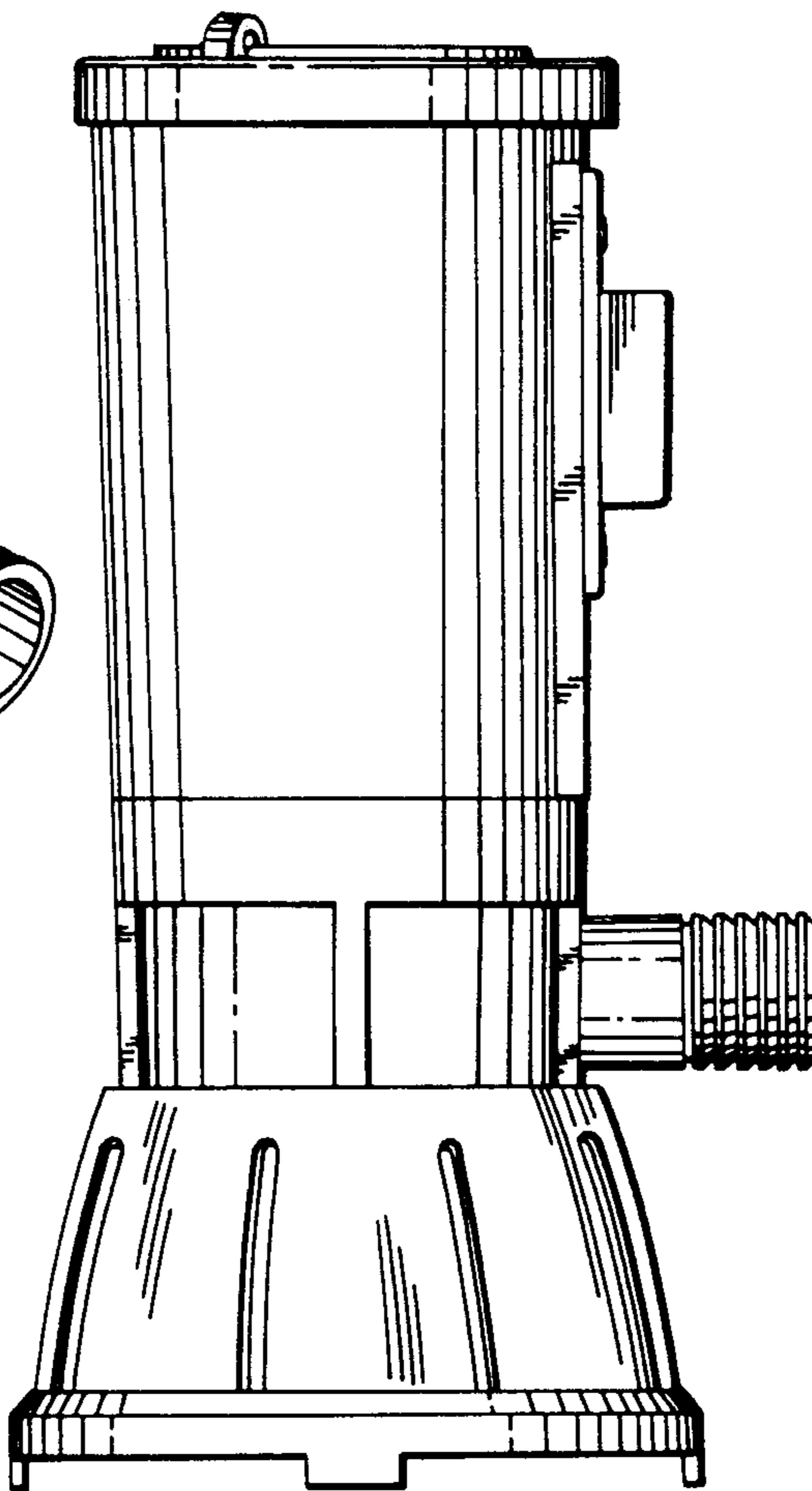


FIG 3

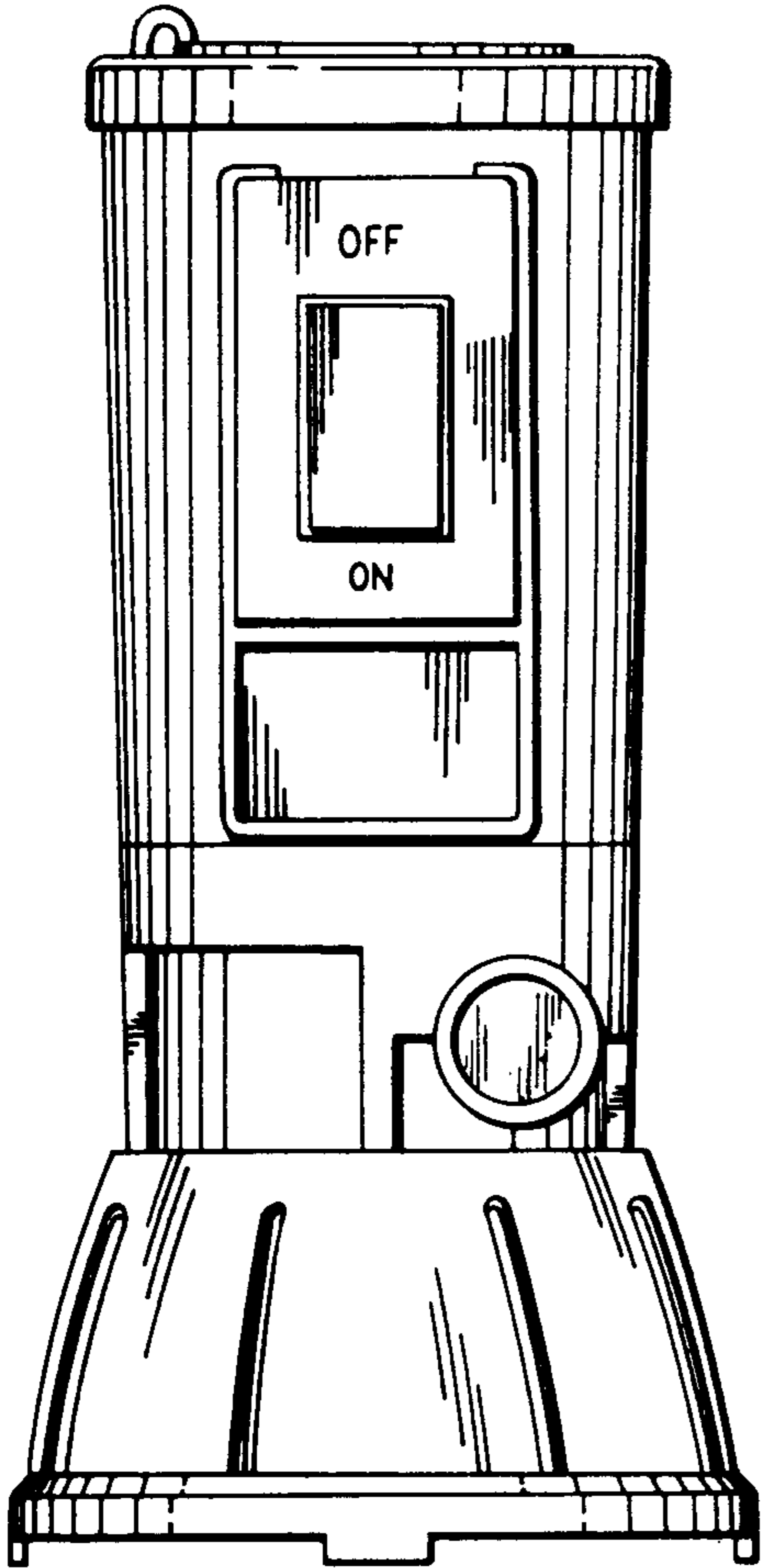


FIG 4

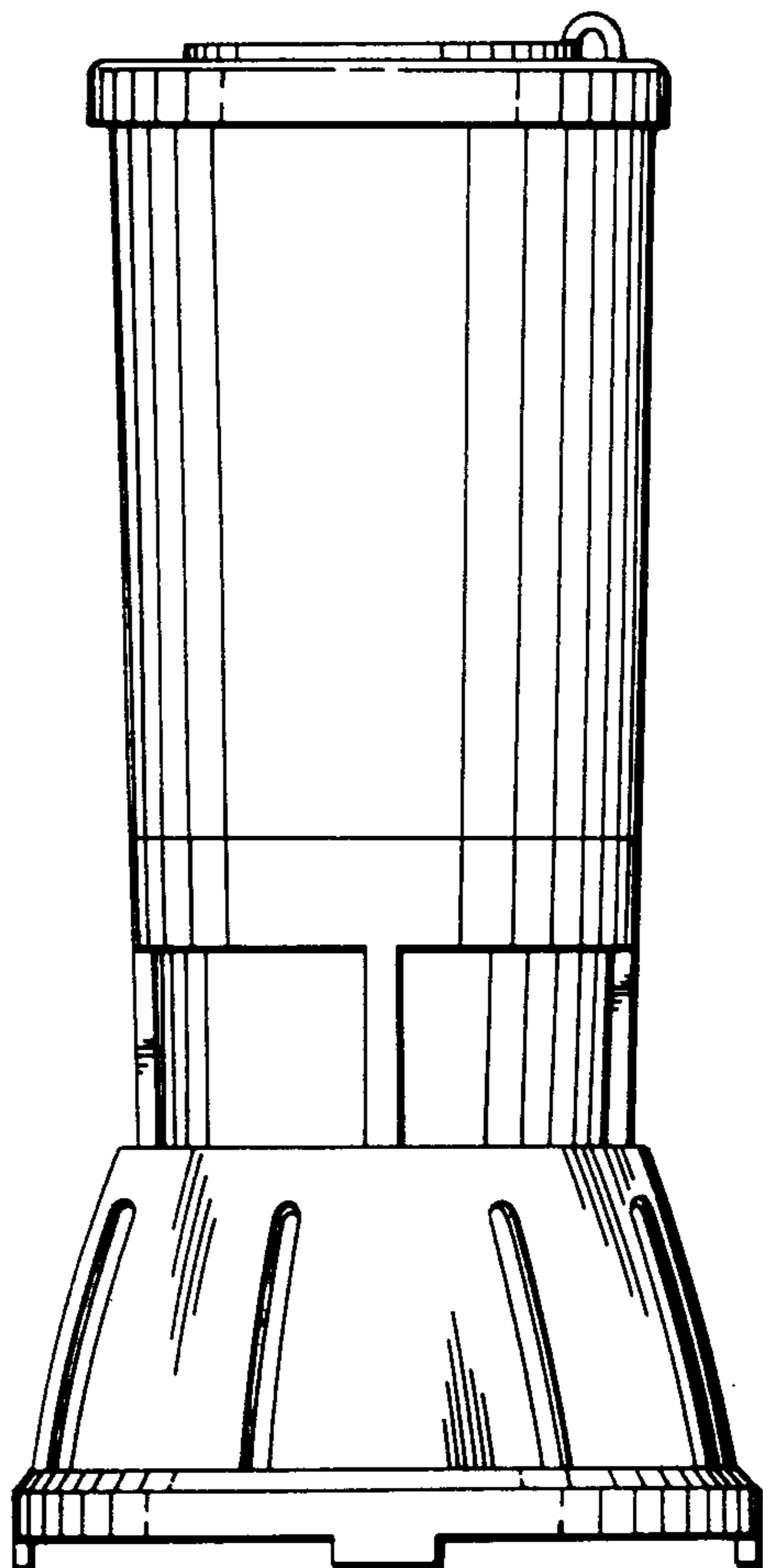


FIG-5

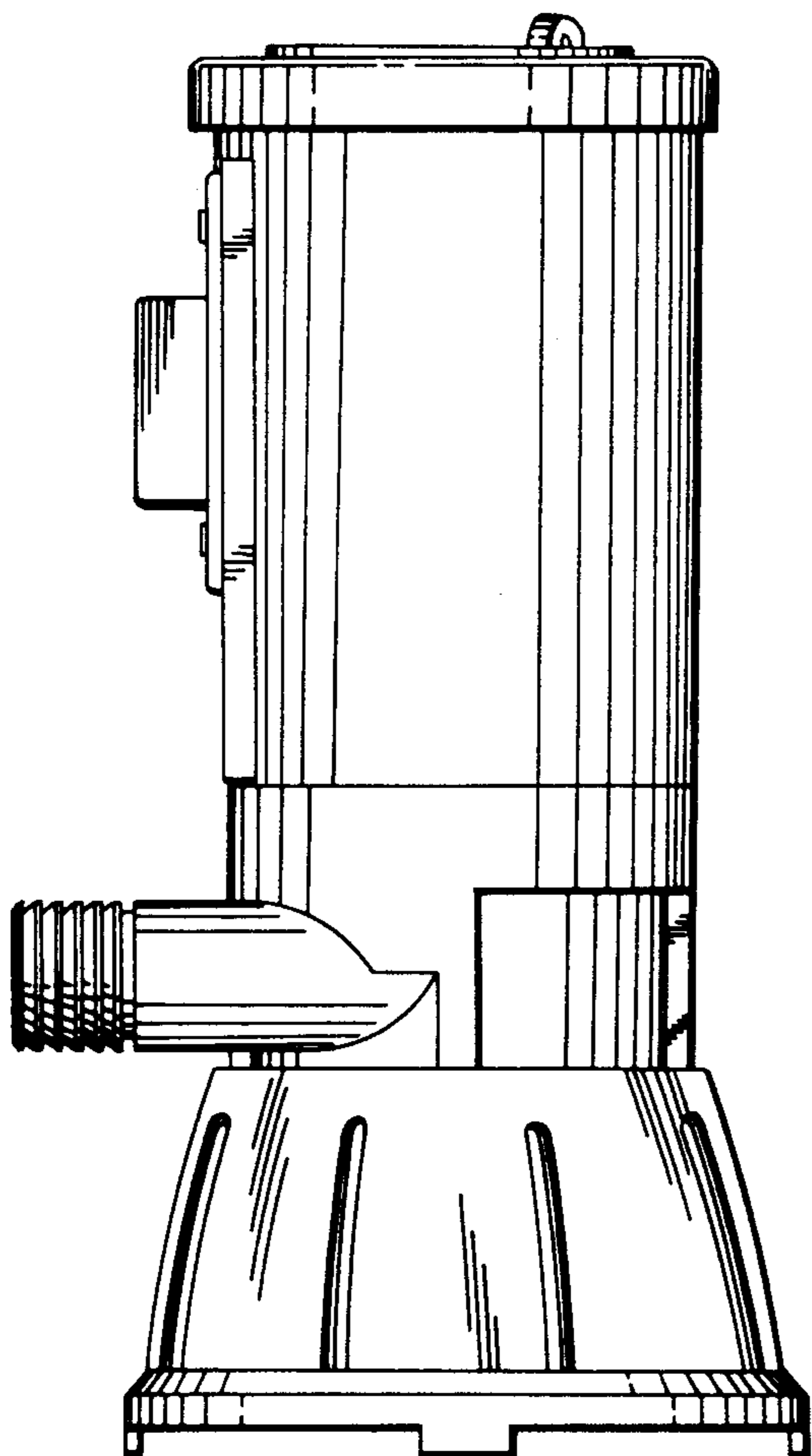


FIG-6

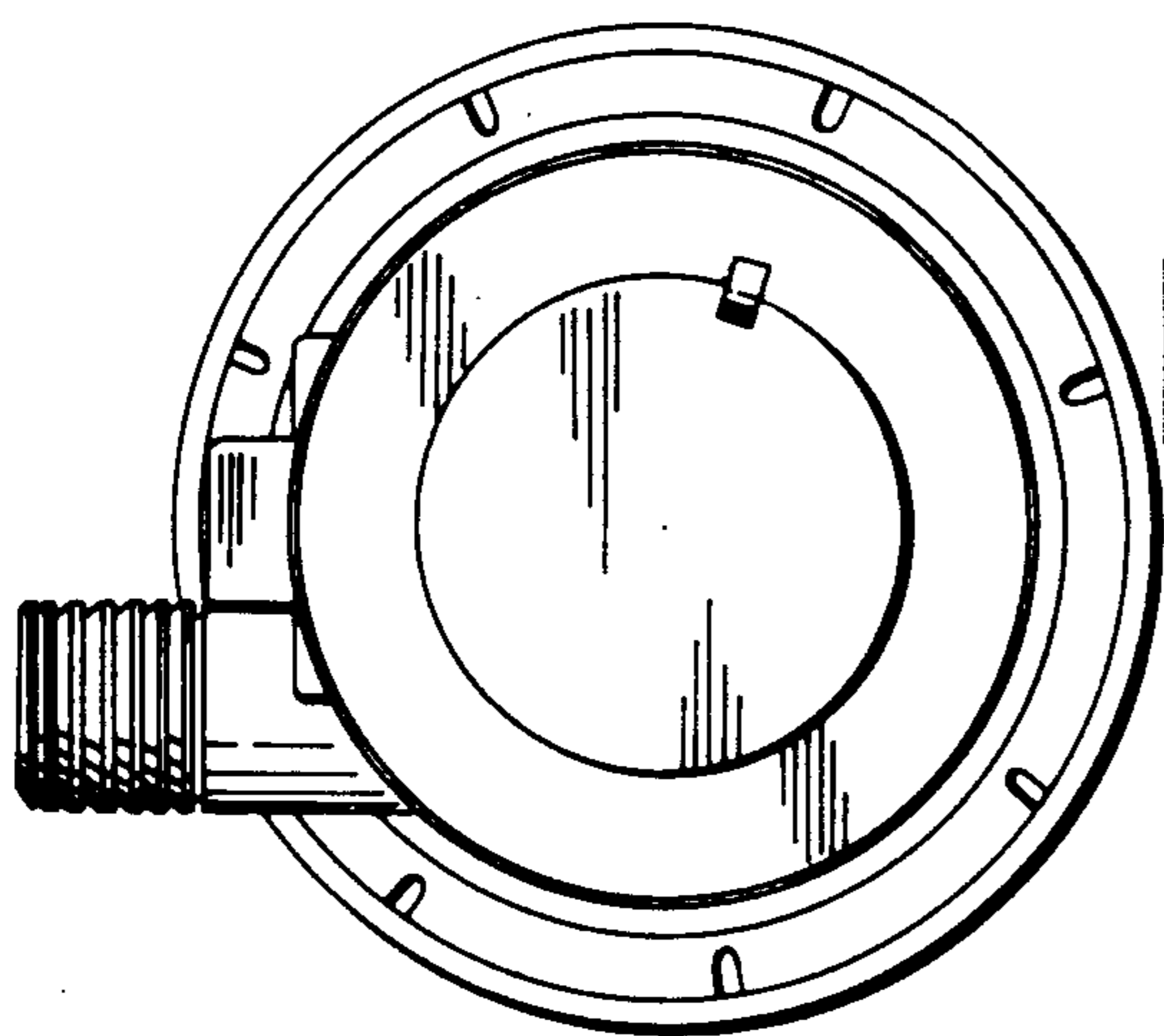


FIG-7

