

[54] MULTI-PURPOSE TRAILER

[76] Inventor: Raymond G. Paulk, Sr., Plattsburg, Mo. 64477

[**] Term: 14 Years

[21] Appl. No.: 969,981

[22] Filed: Dec. 15, 1978

[51] Int. Cl. D12-10

[52] U.S. Cl. D12/102

[58] Field of Search D12/102, 104, 103; 296/181, 168

[56] References Cited

U.S. PATENT DOCUMENTS

D. 200,301 2/1965 Kachnik D12/102
1,320,554 11/1919 Houser 296/168

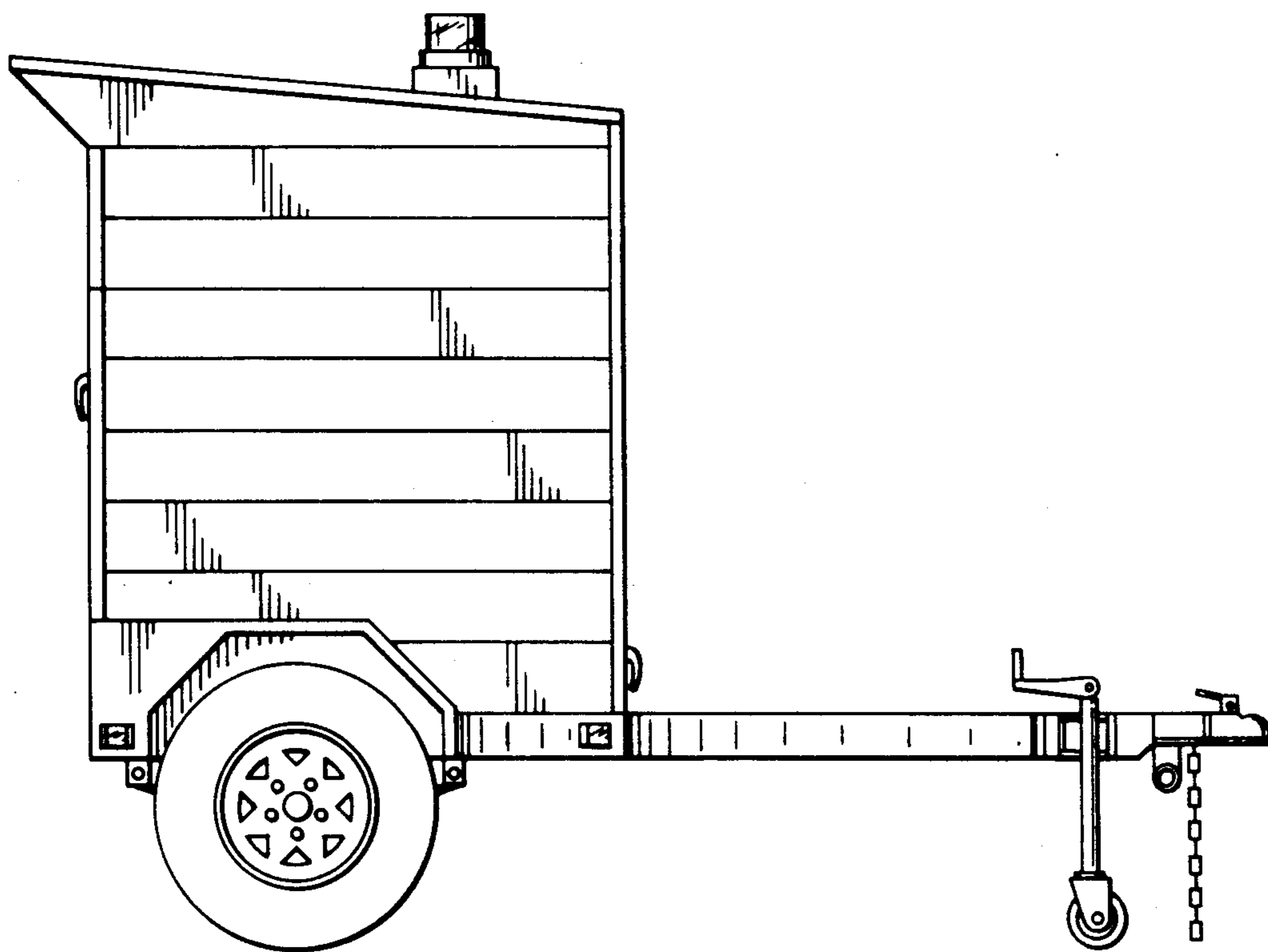
Primary Examiner—James M. Gandy
Attorney, Agent, or Firm—Claude W. Lowe

[57] CLAIM

The ornamental design for a multi-purpose trailer, as shown and described.

DESCRIPTION

FIG. 1 is a side elevational view of a multi-purpose trailer showing my new design, it being understood that the opposite side is a mirror image thereof; FIG. 2 is a top plan view thereof; FIG. 3 is a front elevational view thereof; and FIG. 4 is a rear elevational view thereof.



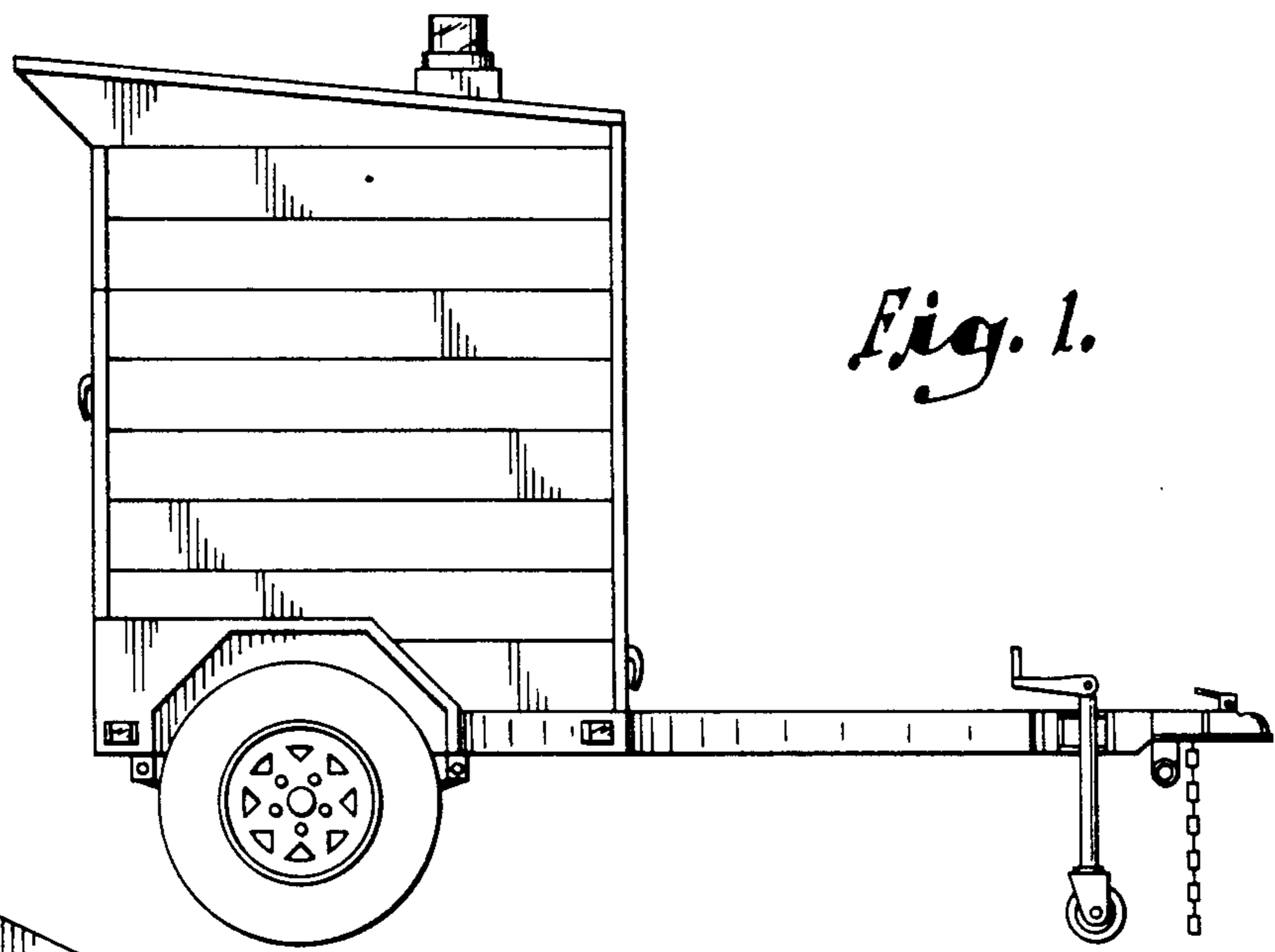


Fig. 1.

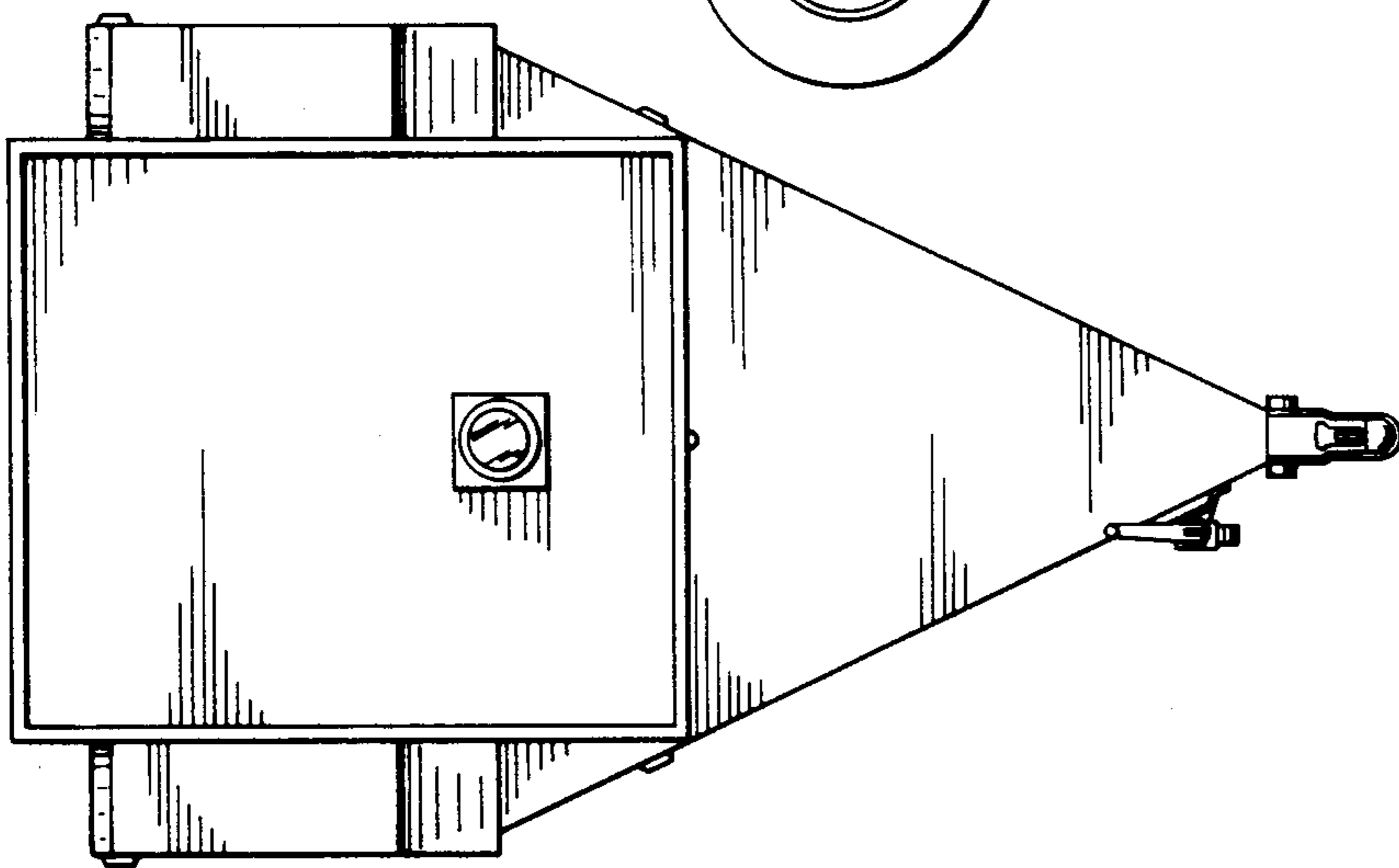


Fig. 2.

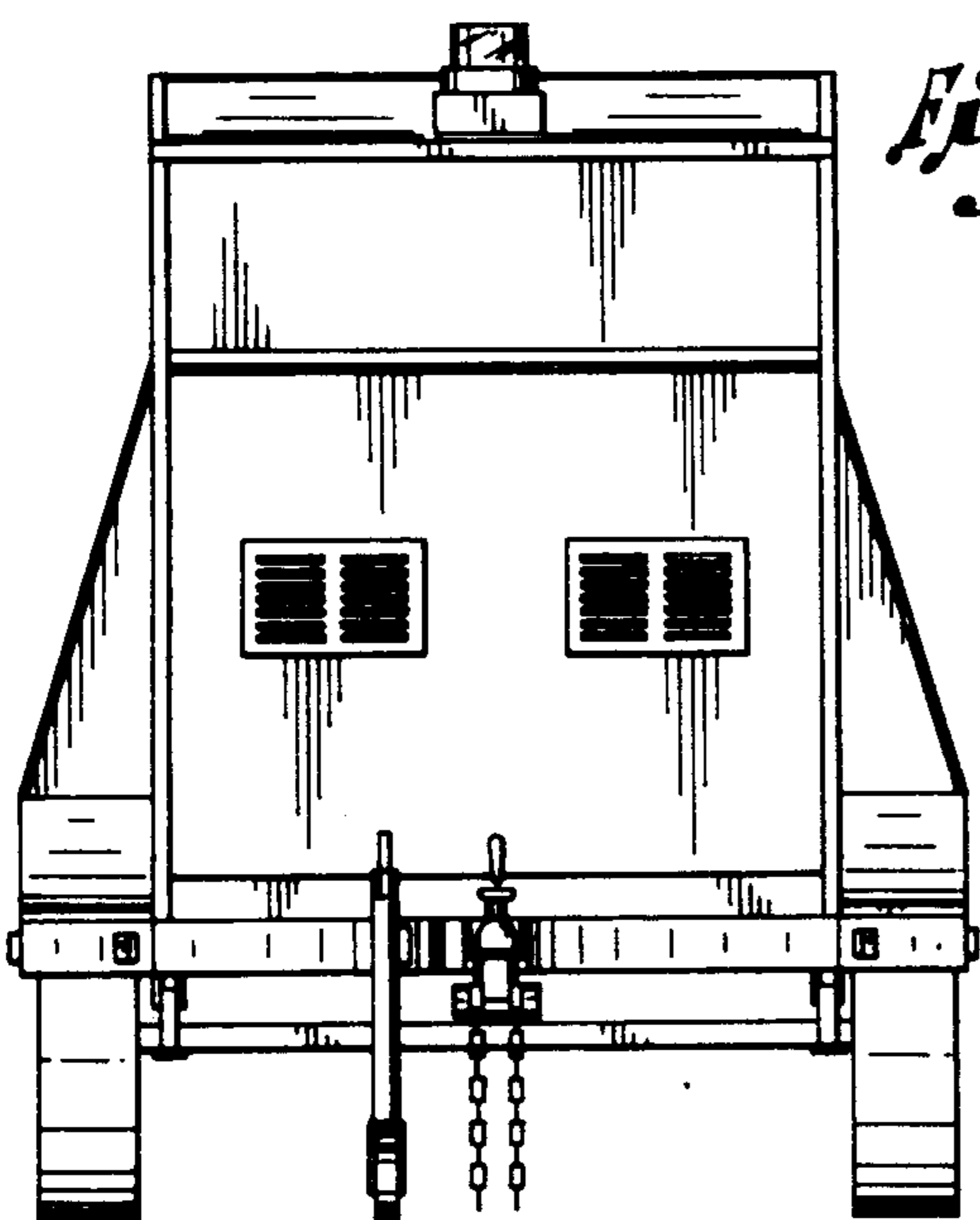


Fig. 3.

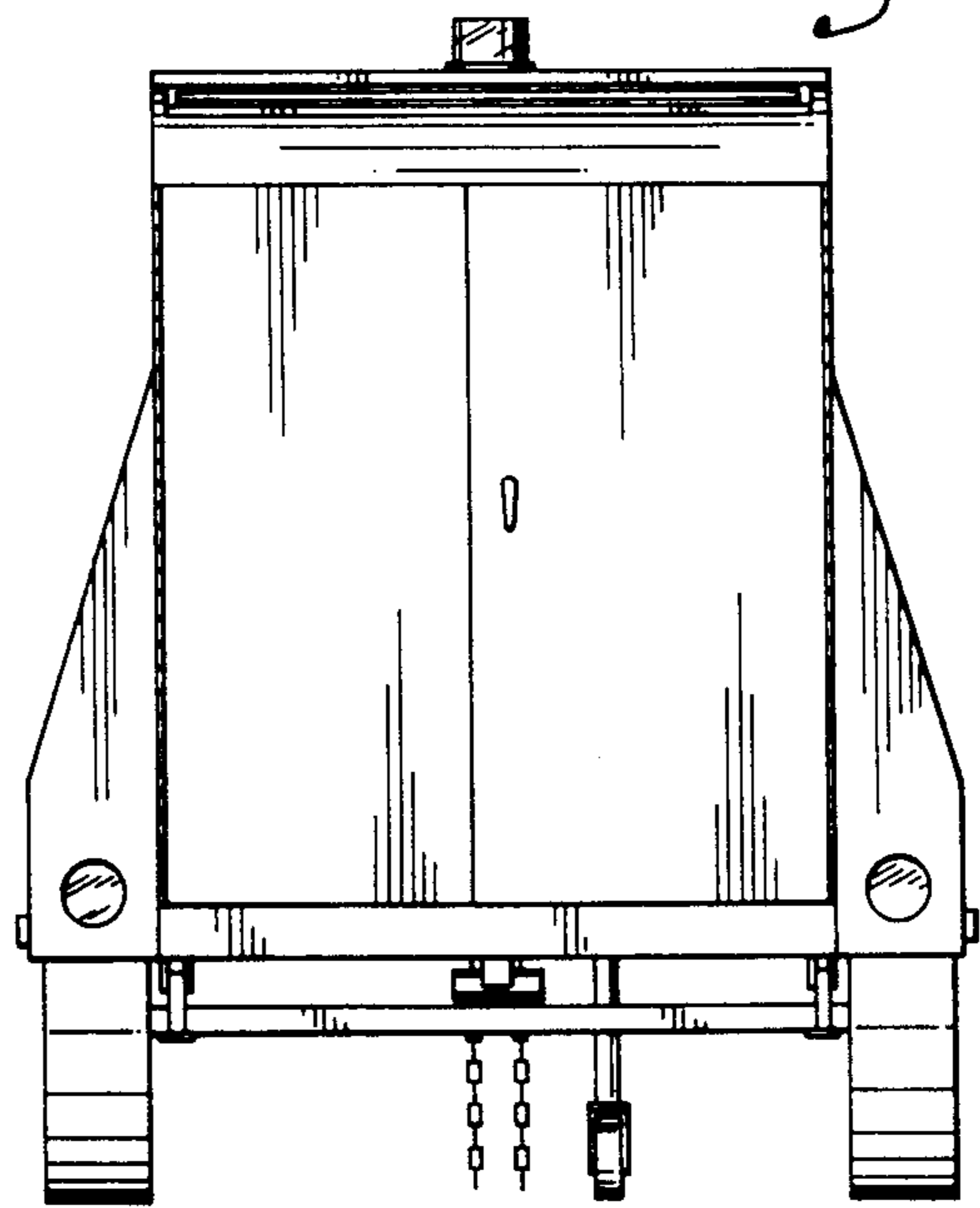


Fig. 4.