

[54] COMPUTER DISC CONTAINER

[75] Inventors: Lorene E. Elzea, Redwood City; Robert G. Atwood, Foster City, both of Calif.

[73] Assignee: Bozley, Inc., Foster City, Calif.

[\*\*] Term: 14 Years

[21] Appl. No.: 973,022

[22] Filed: Dec. 26, 1978

[51] Int. Cl. .... D9-03

[52] U.S. Cl. .... D9/426

[58] Field of Search ..... 206/389, 444, 309, 310, 206/303; D3/30, 35; D9/182, 237, 240, 216

[56] References Cited

U.S. PATENT DOCUMENTS

D. 192,619 4/1962 Mojonnier ..... D9/182 X  
D. 222,655 11/1971 Inatomi et al. .... D3/35

D. 225,644 12/1972 Beach ..... D9/182 X  
2,106,726 2/1938 Draeger ..... D3/35 X

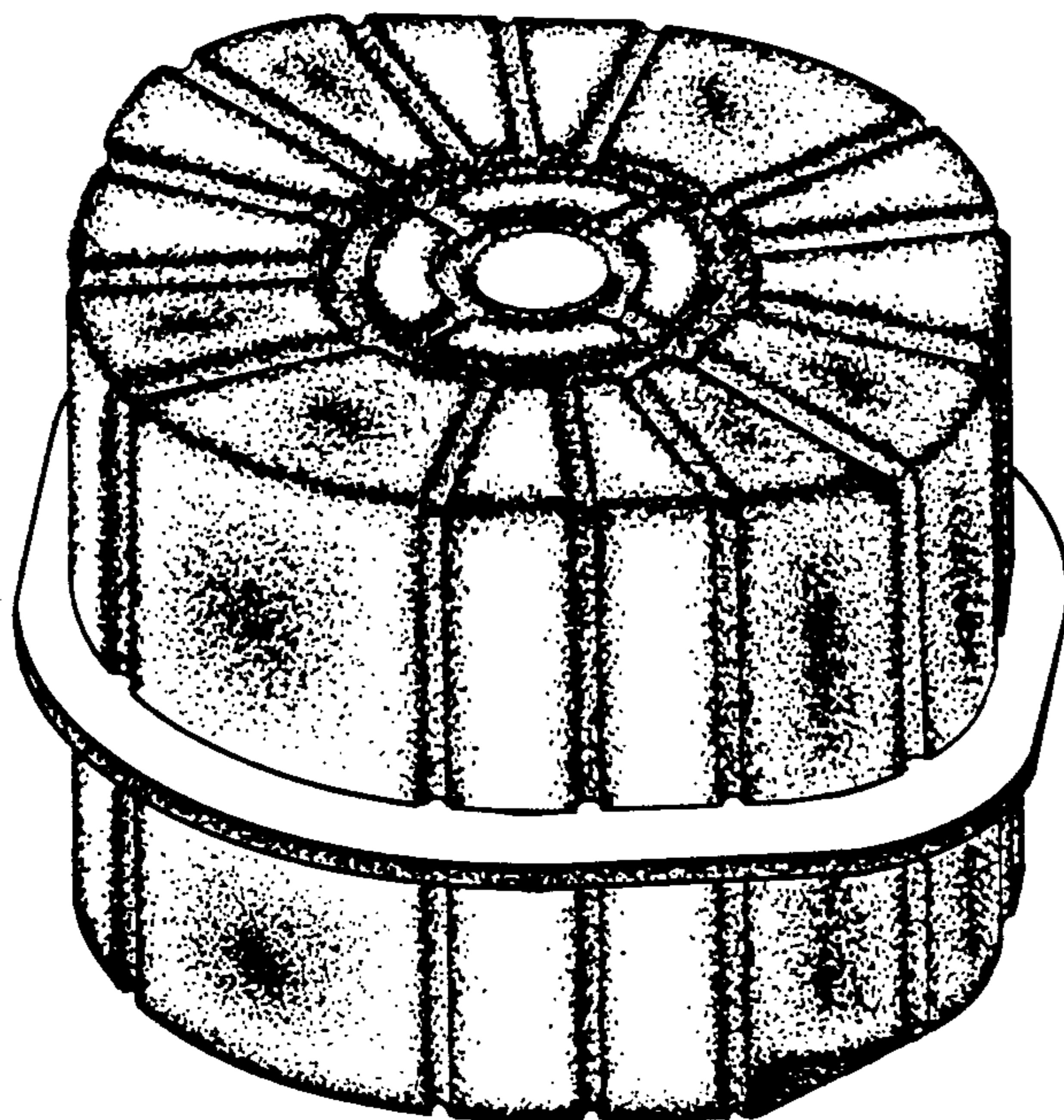
Primary Examiner—Robert C. Spangler  
Attorney, Agent, or Firm—Robert W. Dilts

[57] CLAIM

The ornamental design for a computer disc container, substantially as shown and described.

DESCRIPTION

FIG. 1 is a perspective view of a computer disc container showing our new design; FIG. 2 is a perspective view of the lower portion; FIG. 3 is a top plan view of the complete container; FIG. 4 is a bottom plan view thereof; FIG. 5 is an elevational view thereof; FIG. 6 is an elevational view looking from the right of FIG. 5, the opposite side being the same in appearance; and FIG. 7 is a medial sectional view of the lower portion in the position shown in FIG. 5.



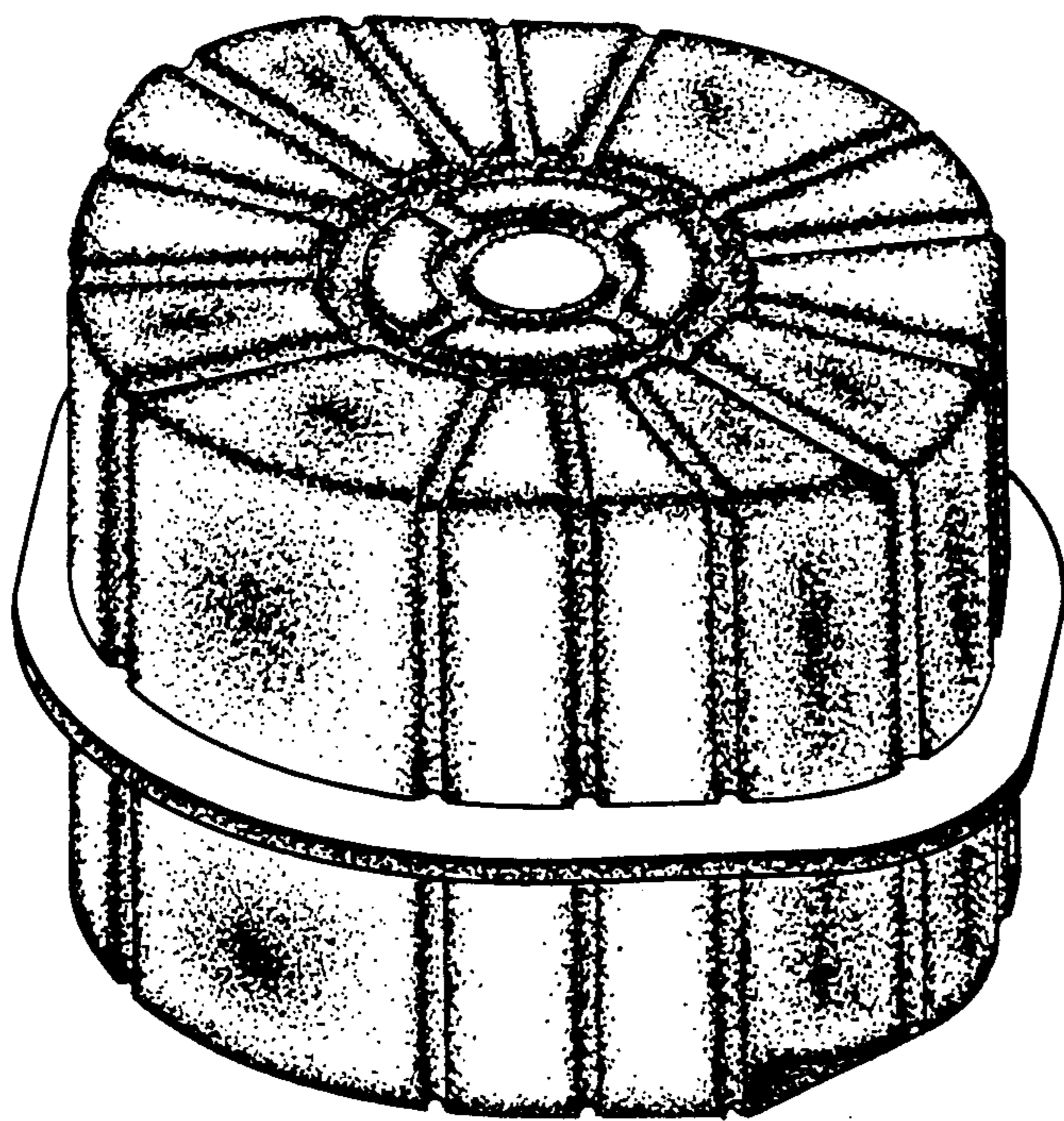


FIG \_ 1

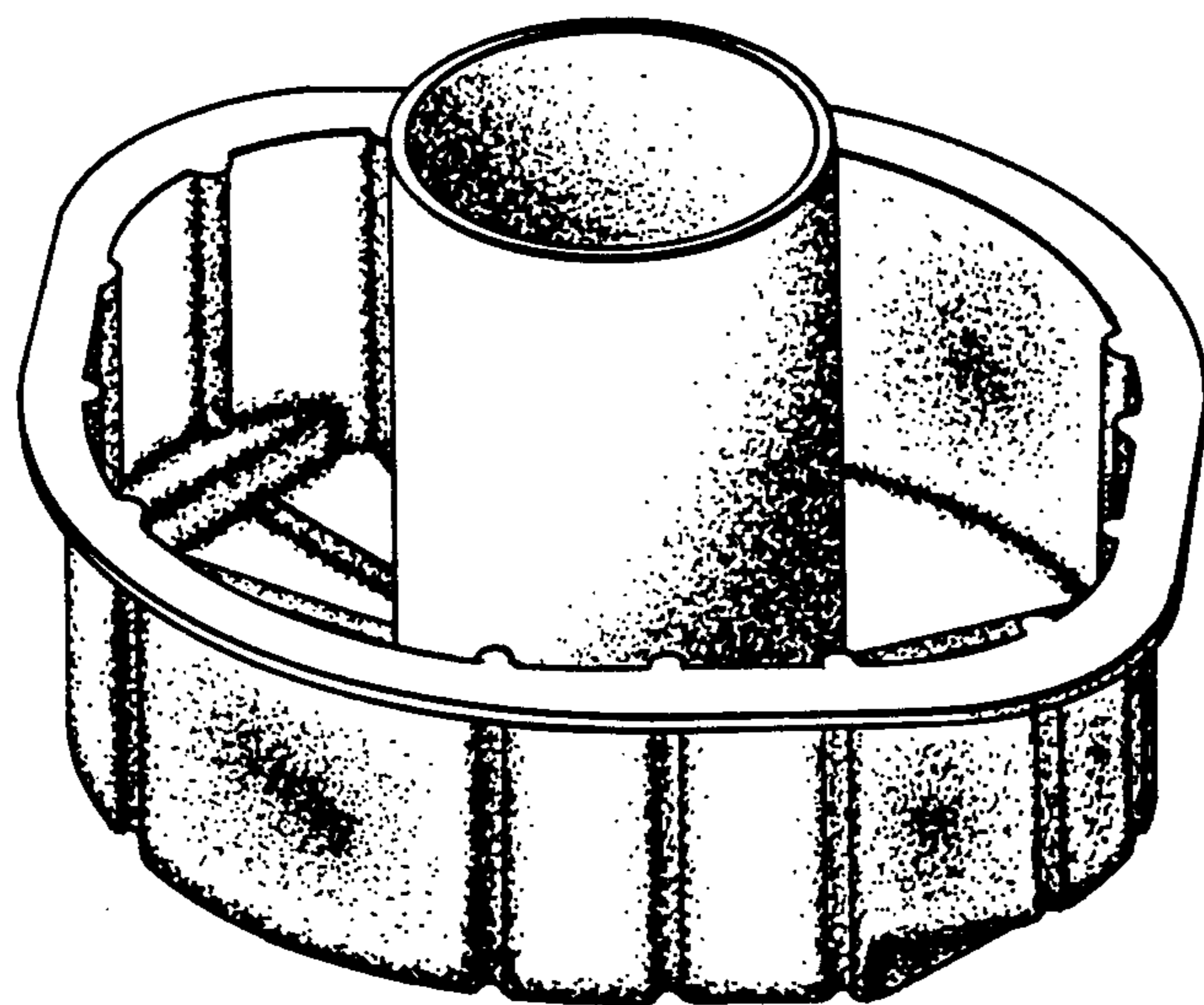


FIG \_ 2

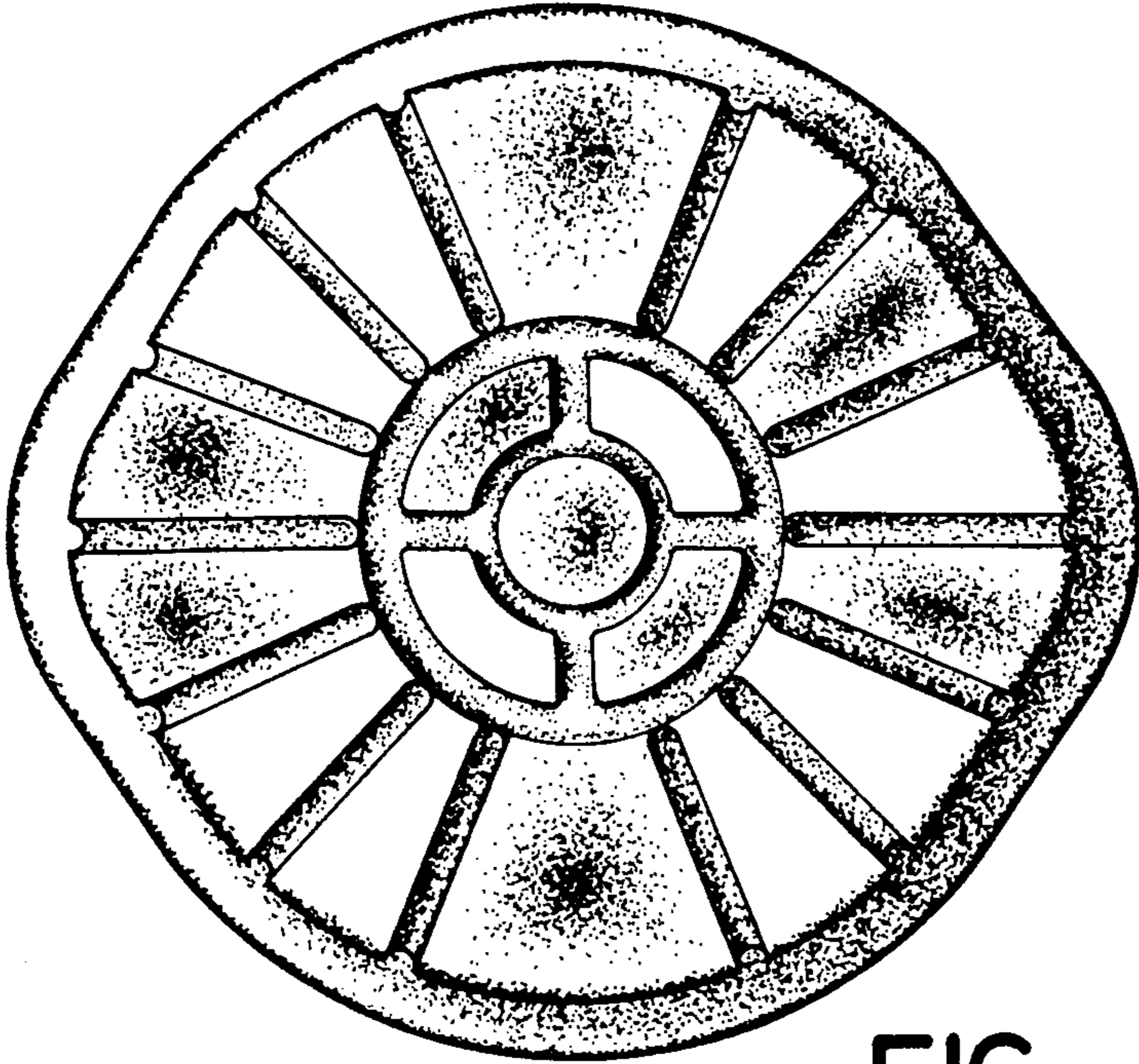


FIG \_ 3

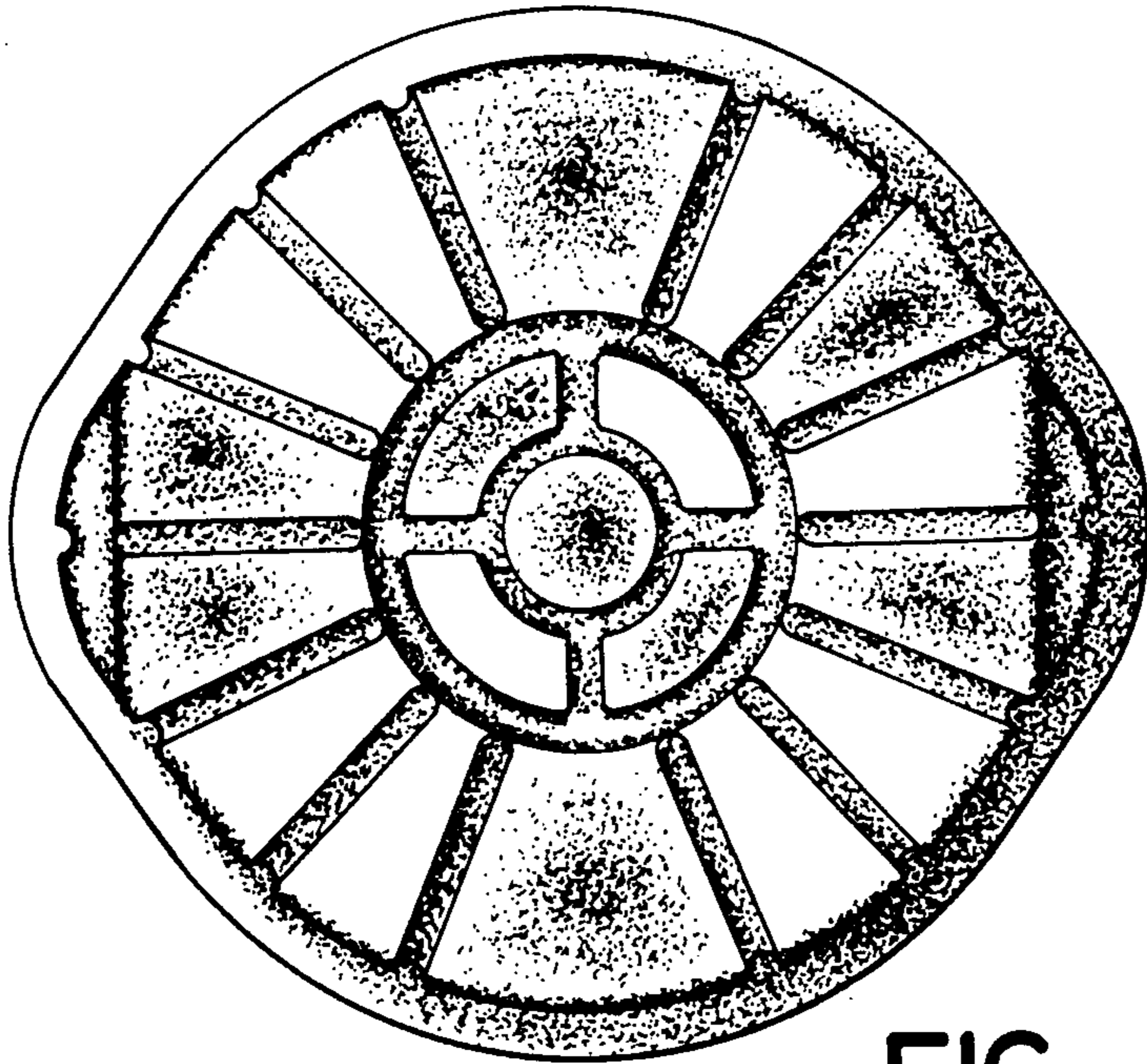


FIG \_ 4

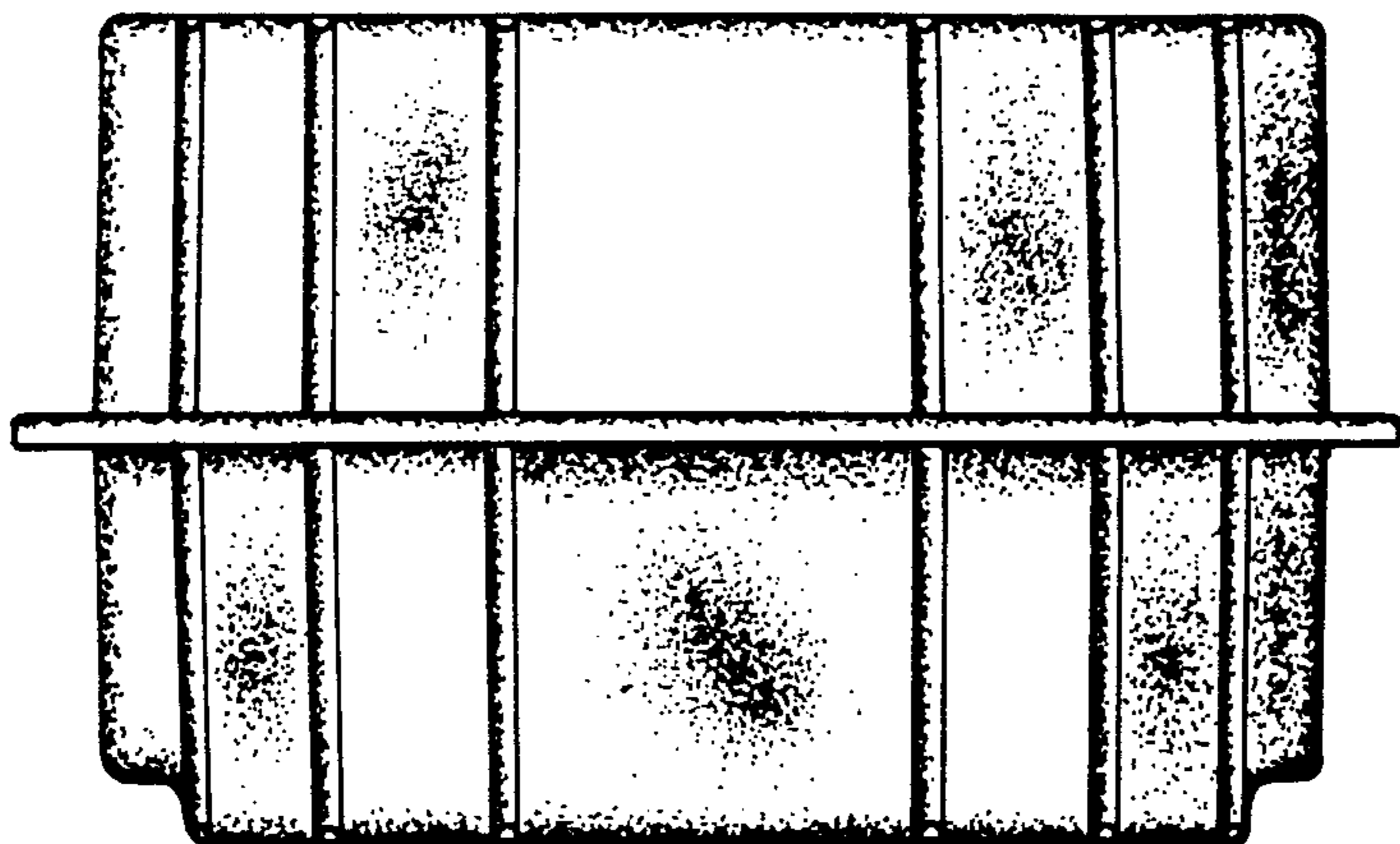


FIG \_ 5

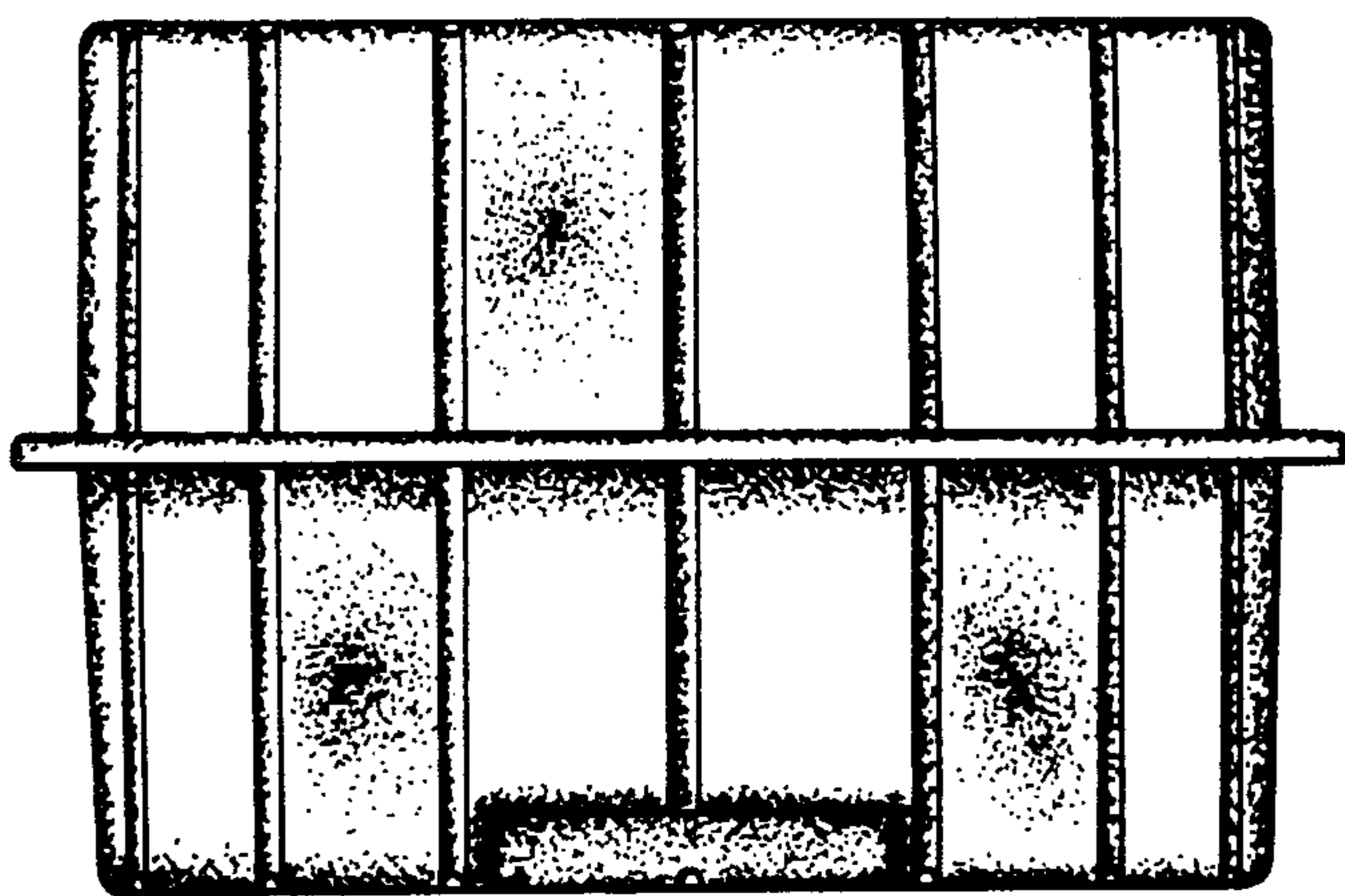


FIG \_ 6

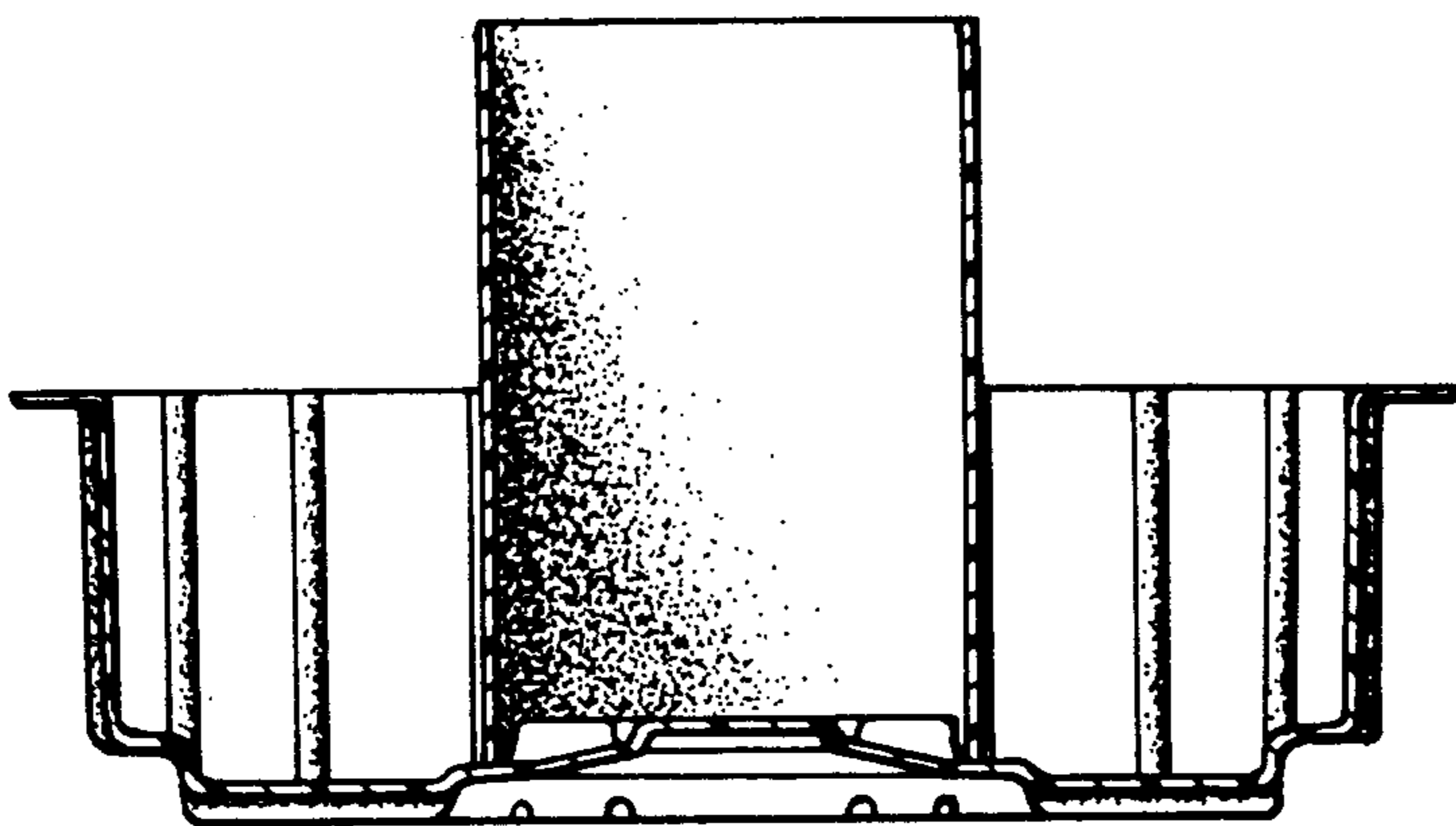


FIG \_ 7