

[54] BOTTLE

[75] Inventor: Björn Weckström, Helsinki, Finland

[73] Assignee: Oy Heinrich Frenzt Ab, Helsinki, Finland

[\*\*] Term: 14 Years

[21] Appl. No.: 1,880

[22] Filed: Jan. 8, 1979

[51] Int. Cl. .... D9-01

[52] U.S. Cl. .... D9/401

[58] Field of Search .... D9/159-161, D9/167, 168, 157; 215/1 R, 1 C

[56]

References Cited

U.S. PATENT DOCUMENTS

D. 100,077	1/1936	Luft .....	D9/157 X
D. 229,918	1/1974	Schlessel .....	D9/159 X
D. 233,415	10/1974	Stock .....	D9/160
D. 238,930	2/1976	Dadmun, Jr. et al. ....	D9/160

Primary Examiner—Robert C. Spangler  
Attorney, Agent, or Firm—Lloyd McAulay

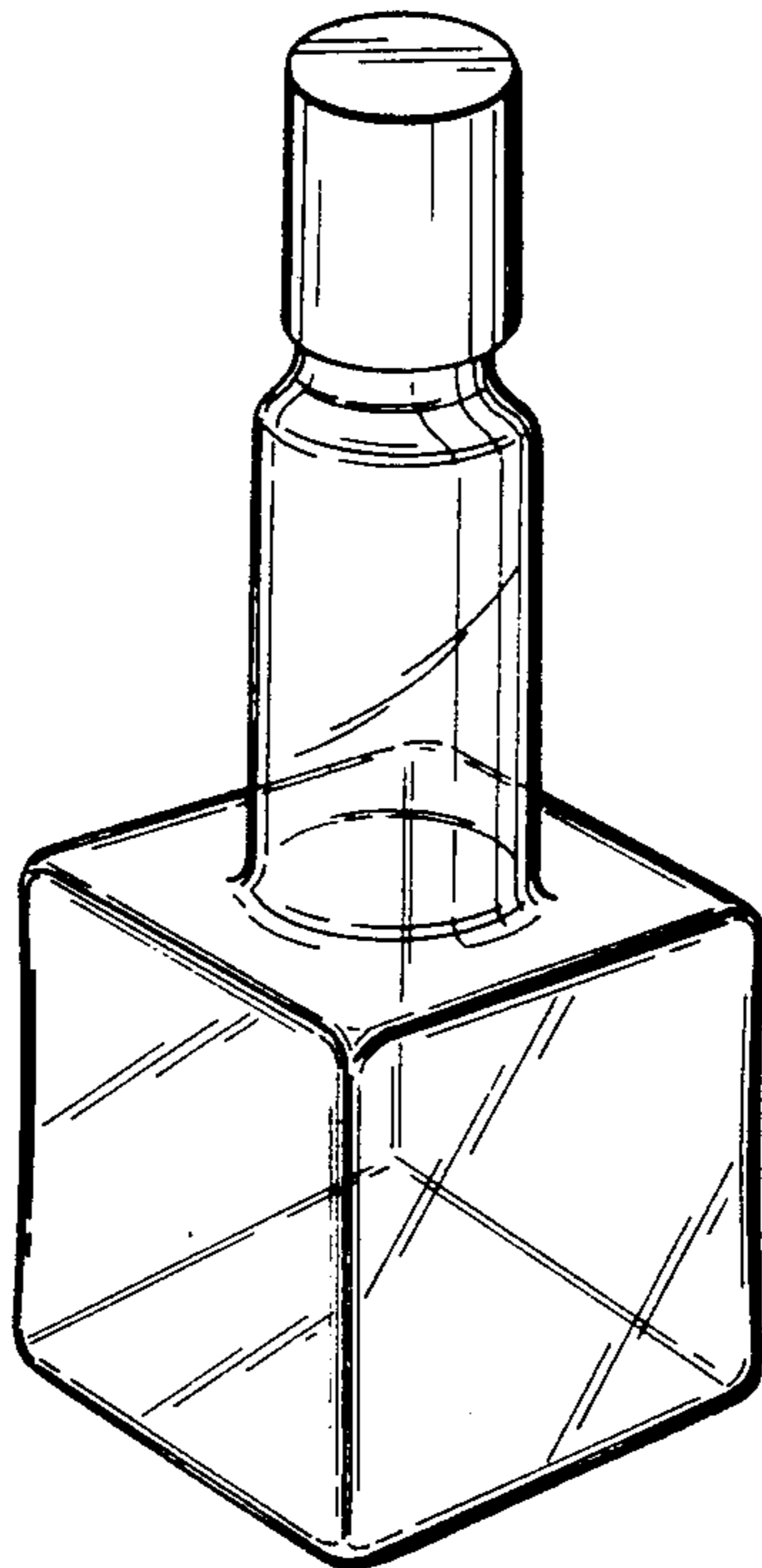
[57]

CLAIM

The ornamental design for a bottle, as shown and described.

DESCRIPTION

FIG. 1 is a perspective view of a bottle showing my new design;  
FIG. 2 is a side elevational view, the remaining sides being the same in appearance;  
FIG. 3 is a top view thereof;  
FIG. 4 is a bottom view thereof.



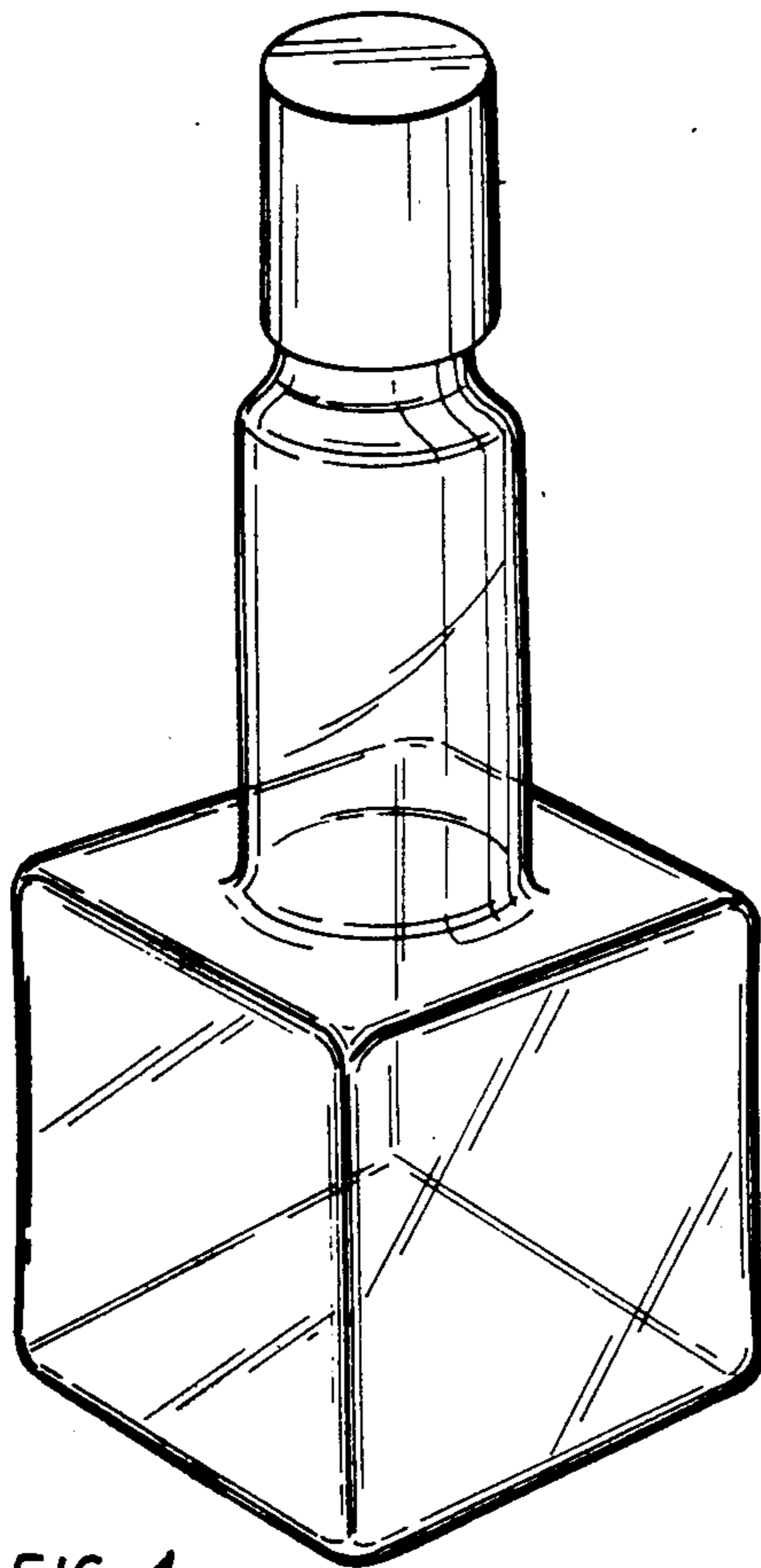


FIG. 1

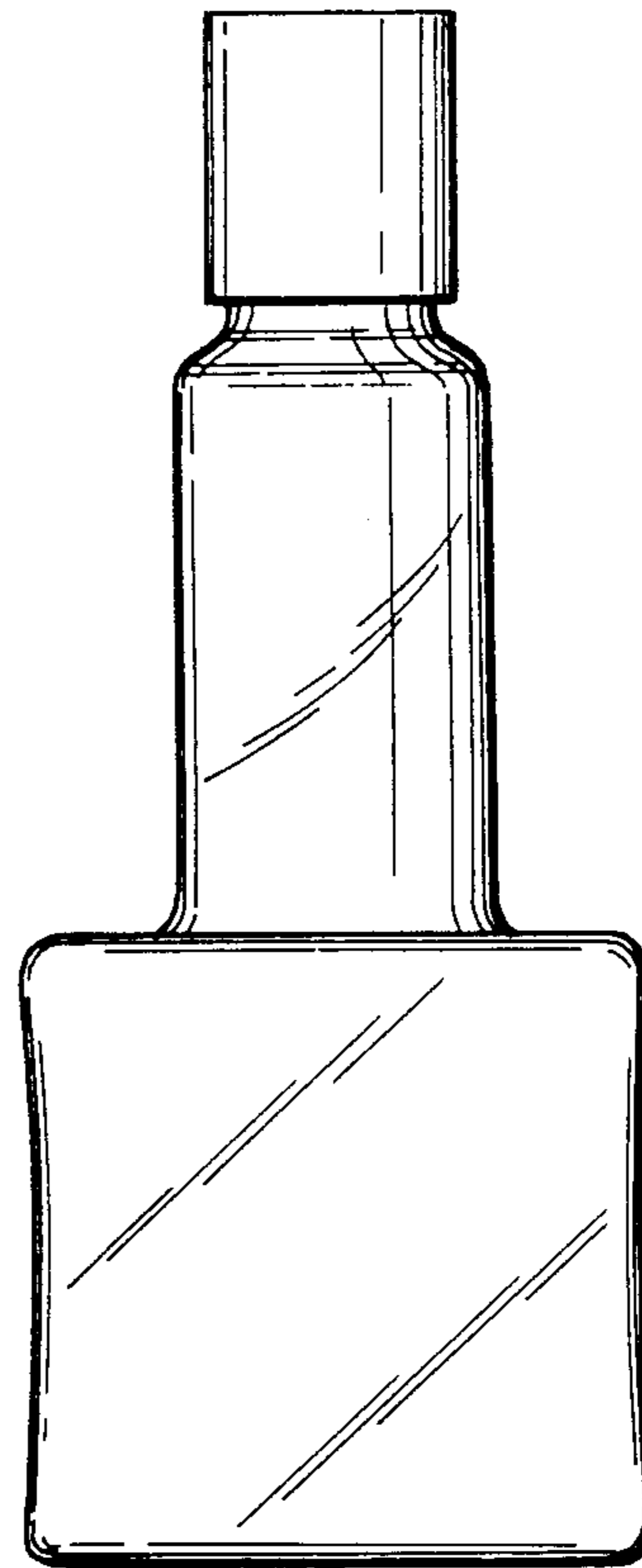


FIG. 2

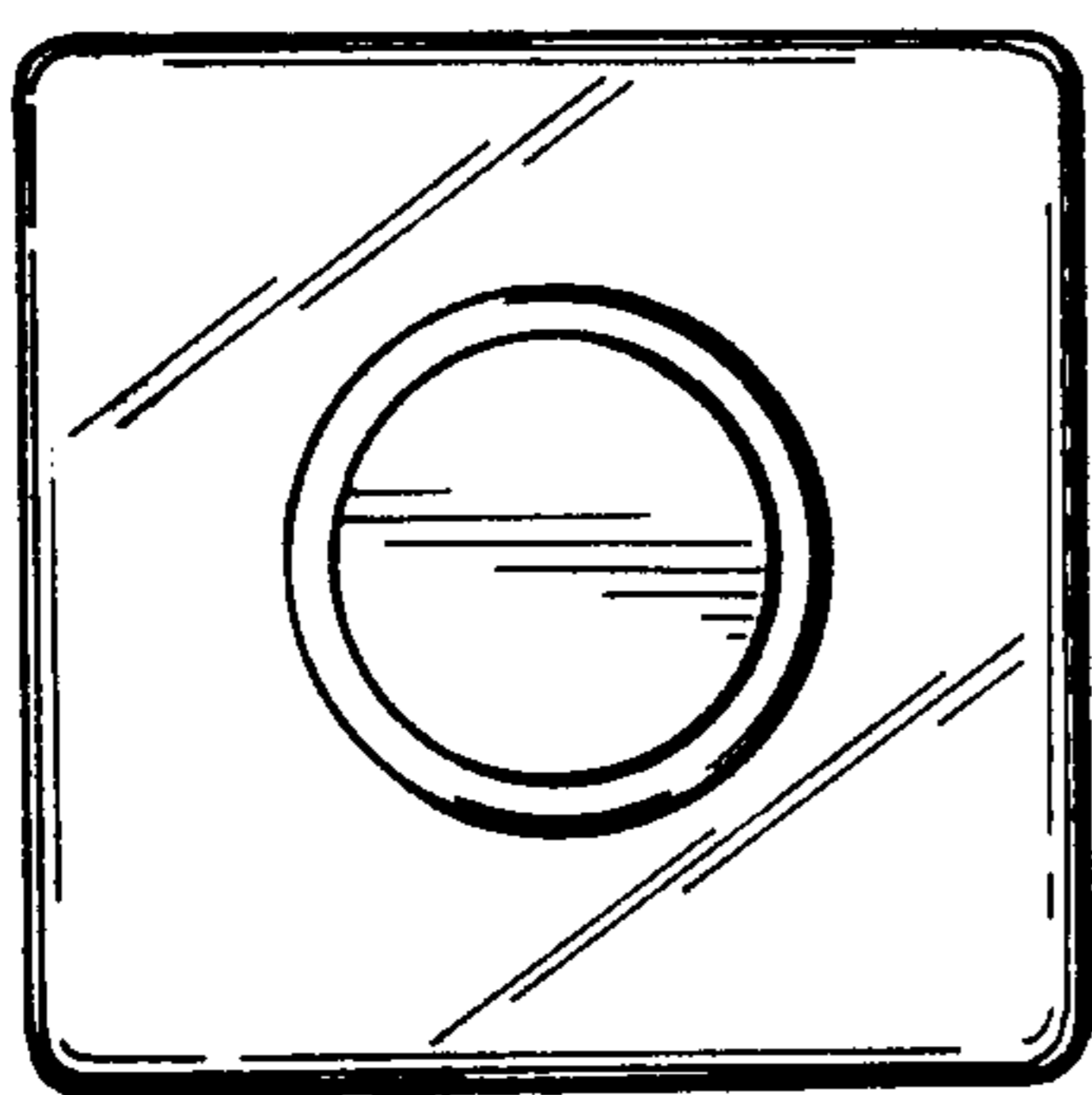


FIG. 3

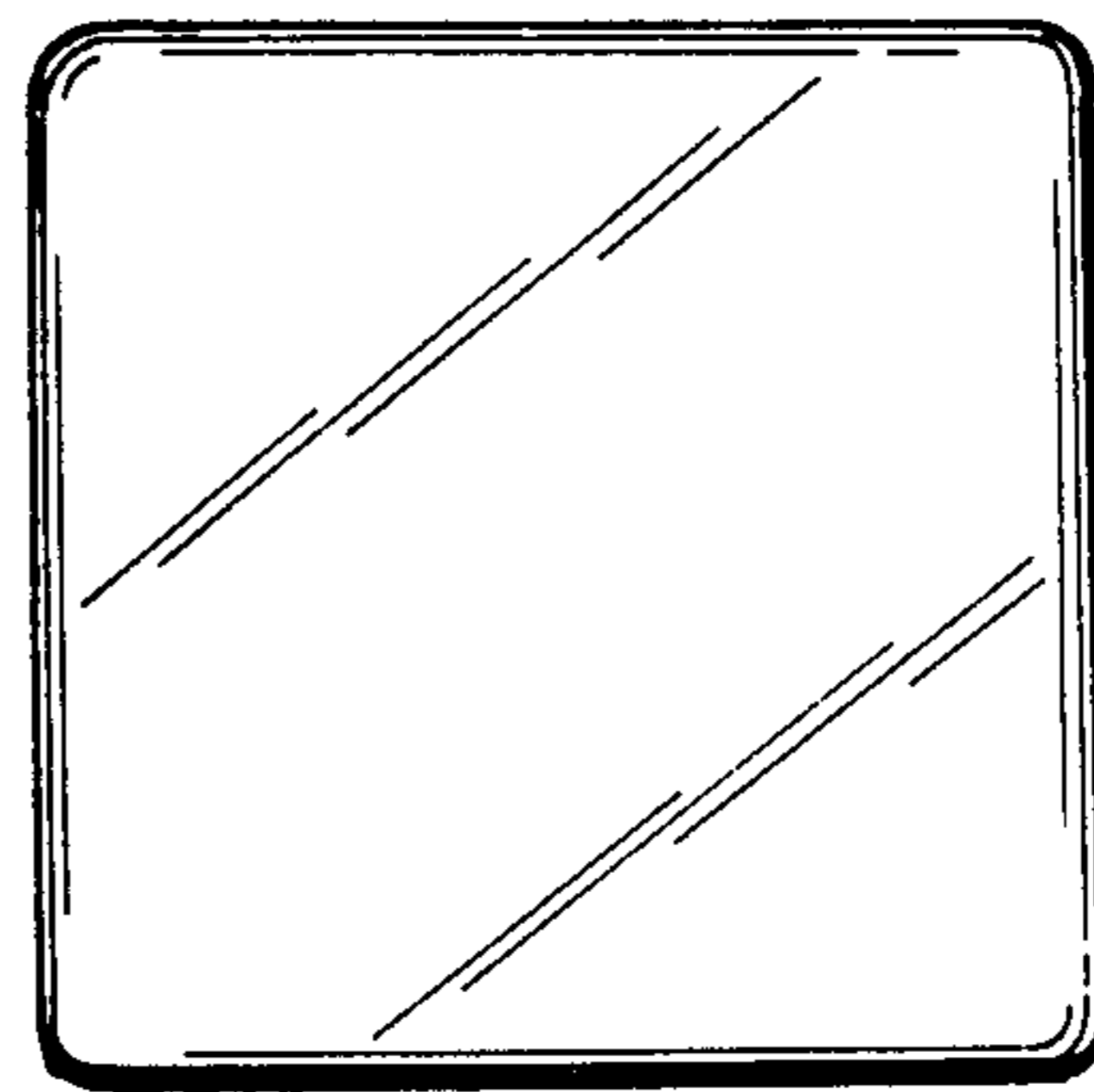


FIG. 4