

[54] JAR OPENER

[76] Inventor: Robert W. Maloney, 4061 Wabash Ave., San Diego, Calif. 92104

[**] Term: 14 Years

[21] Appl. No.: 968,543

[22] Filed: Dec. 11, 1978

[51] Int. Cl. D07-99; D07-06

[52] U.S. Cl. D8/18; D8/37

[58] Field of Search D8/18, 33, 37, 40; 81/3.3 A, 3.3 R, 3.4; 7/151, 152

[56] References Cited

U.S. PATENT DOCUMENTS

D. 164,459	9/1951	Stolpe	D8/37
959,220	5/1910	Hoeft	81/3.46 R
2,588,687	3/1952	Ajouelo	81/3.3 A

FOREIGN PATENT DOCUMENTS

772929 4/1957 United Kingdom 81/3.4

Primary Examiner—Joel Stearman
Assistant Examiner—Carmen H. Vales
Attorney, Agent, or Firm—Henri J. A. Charmasson

[57] CLAIM

The ornamental design for a jar opener, substantially as shown.

DESCRIPTION

FIG. 1 is a bottom plan view of a jar opener, showing my new design;
FIG. 2 is a front elevational view the opposite not shown being a mirror image thereof;
FIG. 3 is a left end view thereof;
FIG. 4 is a right end view thereof; and
FIG. 5 is a top plan view thereof.

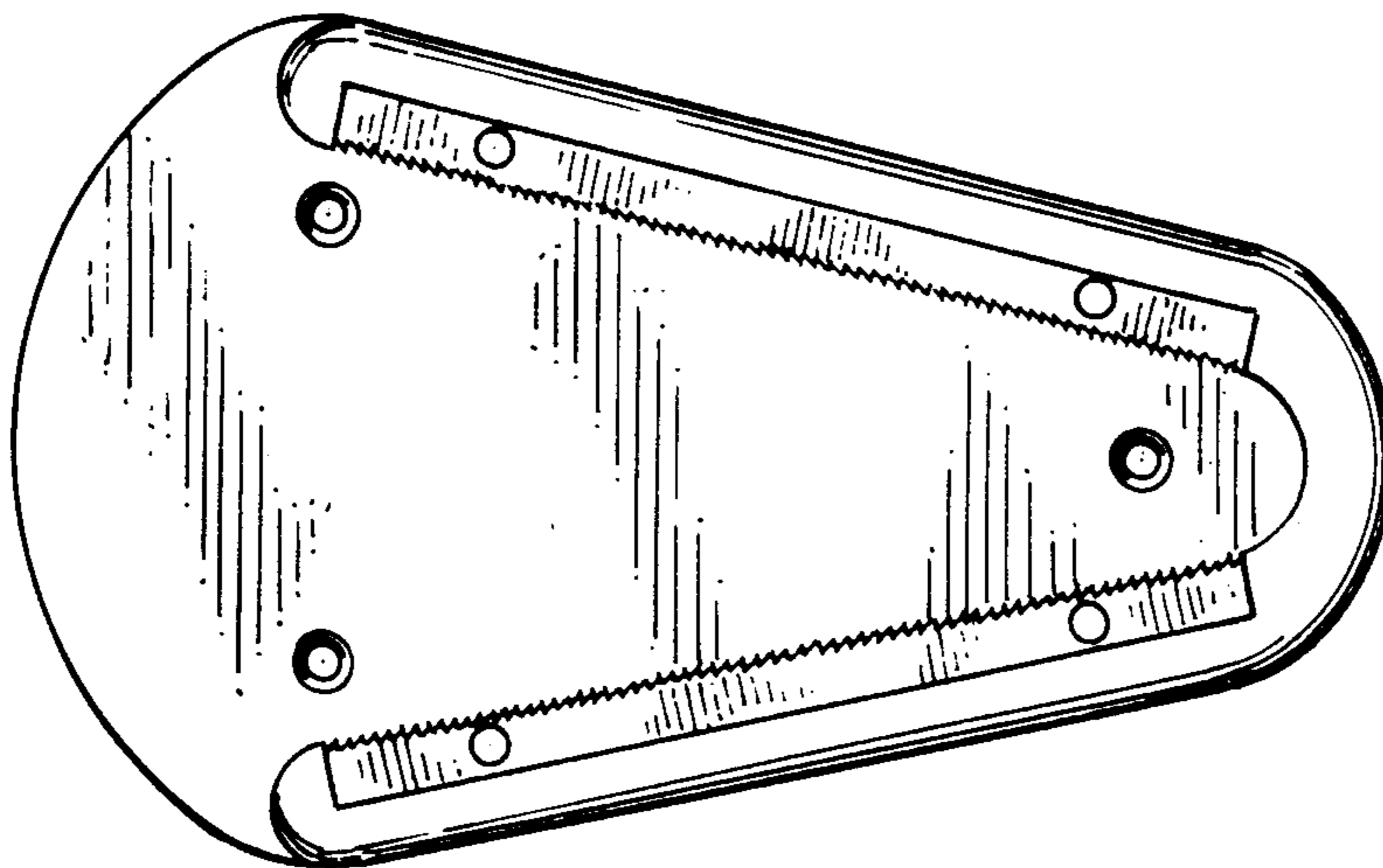
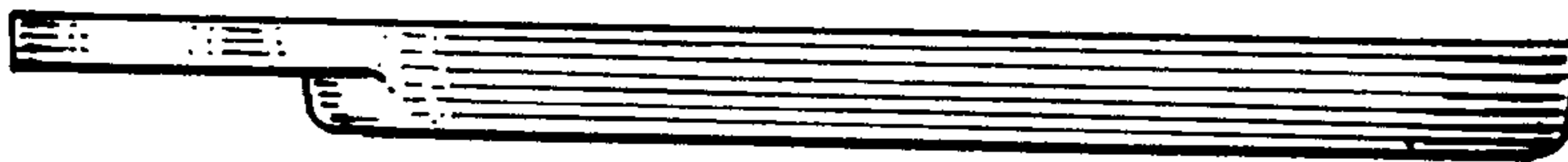


Fig. 2

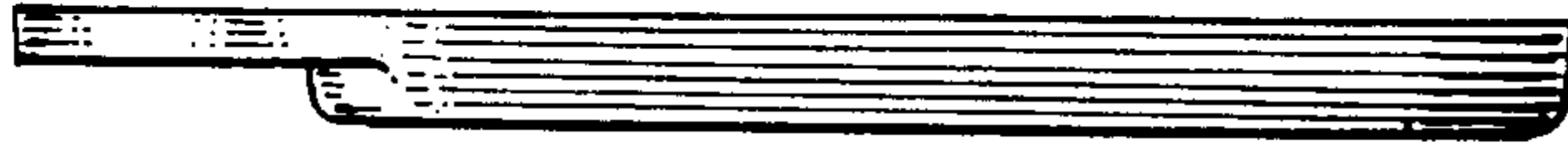


Fig. 1

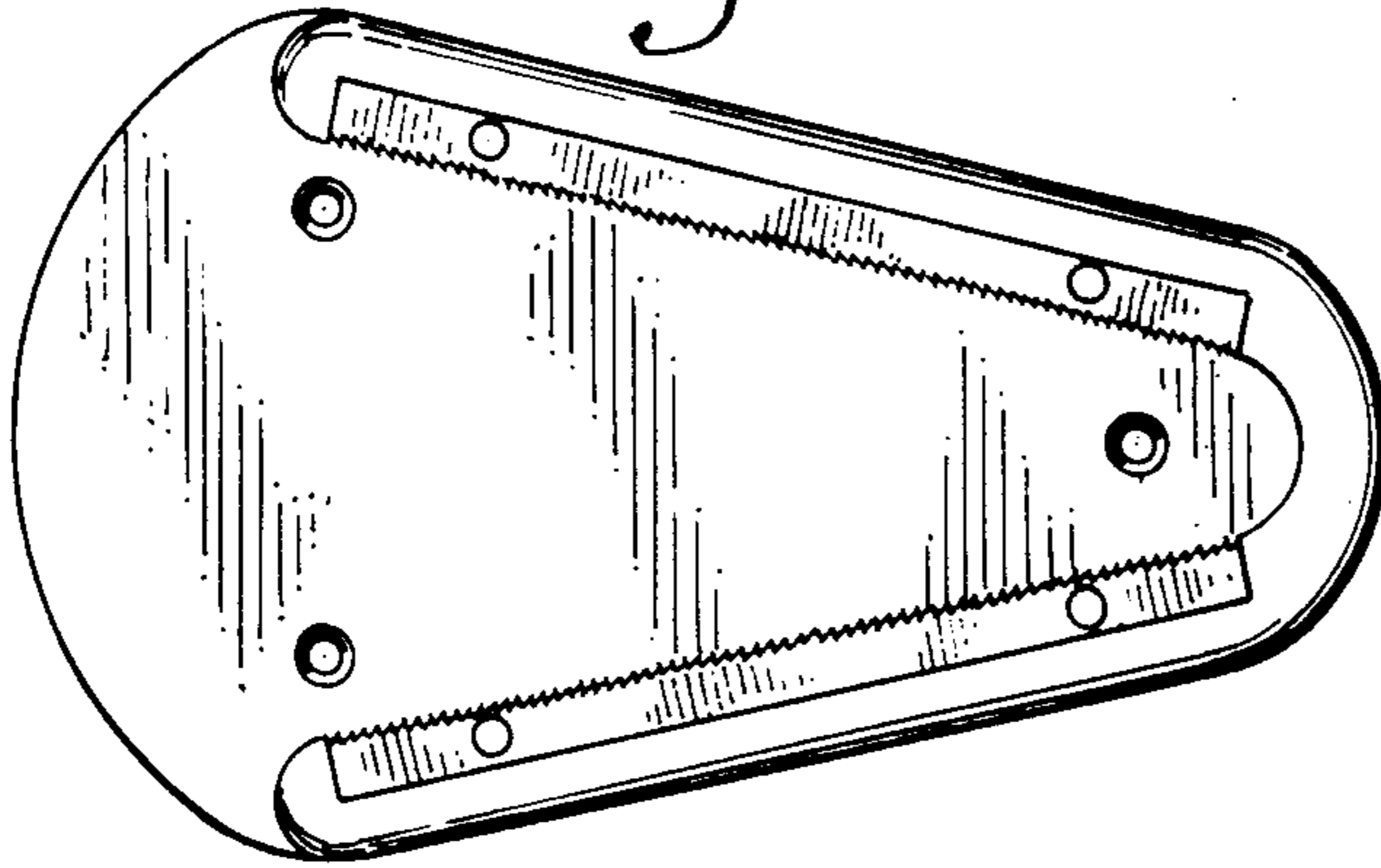


Fig. 3



Fig. 4



Fig. 5

