

[54] DISH DRYING RACK

[76] Inventors: Bernard S. Berman; Bernard L. Schlossberg; Maurice Kaye, all of P.O. Box 902, Hicksville, N.Y. 11802

[\*\*] Term: 14 Years

[21] Appl. No.: 885,785

[22] Filed: Mar. 13, 1978

[51] Int. Cl. .... D7-05

[52] U.S. Cl. .... D7/188

[58] Field of Search ..... D7/188; D6/85, 142; 211/13, 41, 49 R, 86, 106, 181, 189, 195, 201; 4/189, 190

[56] References Cited

U.S. PATENT DOCUMENTS

D. 247,416 3/1978 Berman et al. .... D7/188  
901,747 10/1908 Schomber ..... 211/181 X

1,254,287 1/1918 Sterling ..... 211/181 X  
1,714,629 5/1929 Robin ..... 211/195  
2,686,598 8/1954 Brecht ..... 211/181 X

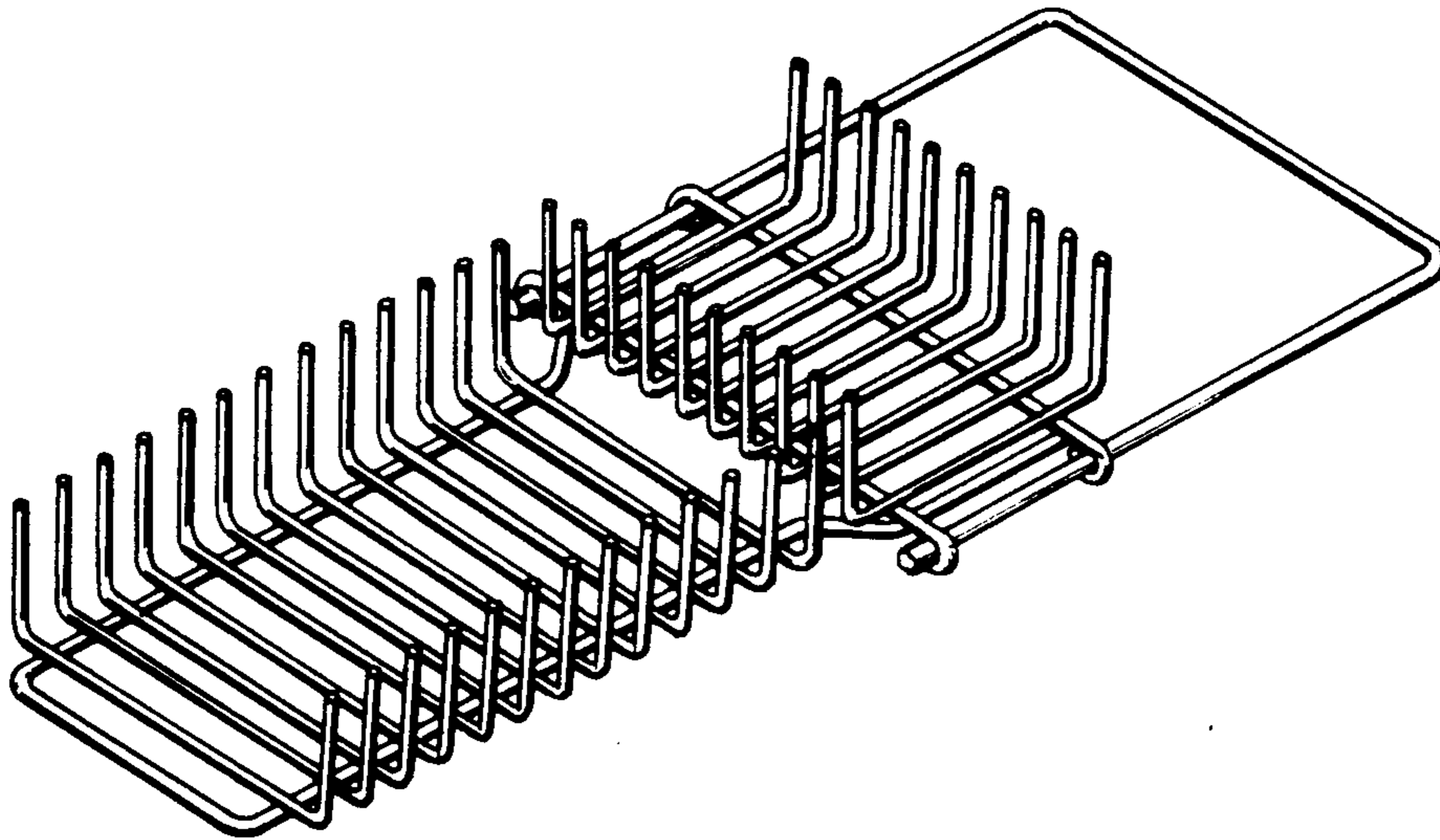
Primary Examiner—Catherine E. Kemper  
Attorney, Agent, or Firm—Abraham Friedman

[57] CLAIM

The ornamental design for a dish drying rack, substantially as shown and described.

DESCRIPTION

FIG. 1 is a perspective view of a dish drying rack in an extended position, showing our new design; FIG. 2 is a top plan view thereof; FIG. 3 is a front elevational view thereof; FIG. 4 is a left side elevational view thereof; FIG. 5 is a rear elevational view thereof; FIG. 6 is a bottom plan view thereof; and FIG. 7 is a perspective view thereof in a retracted position.



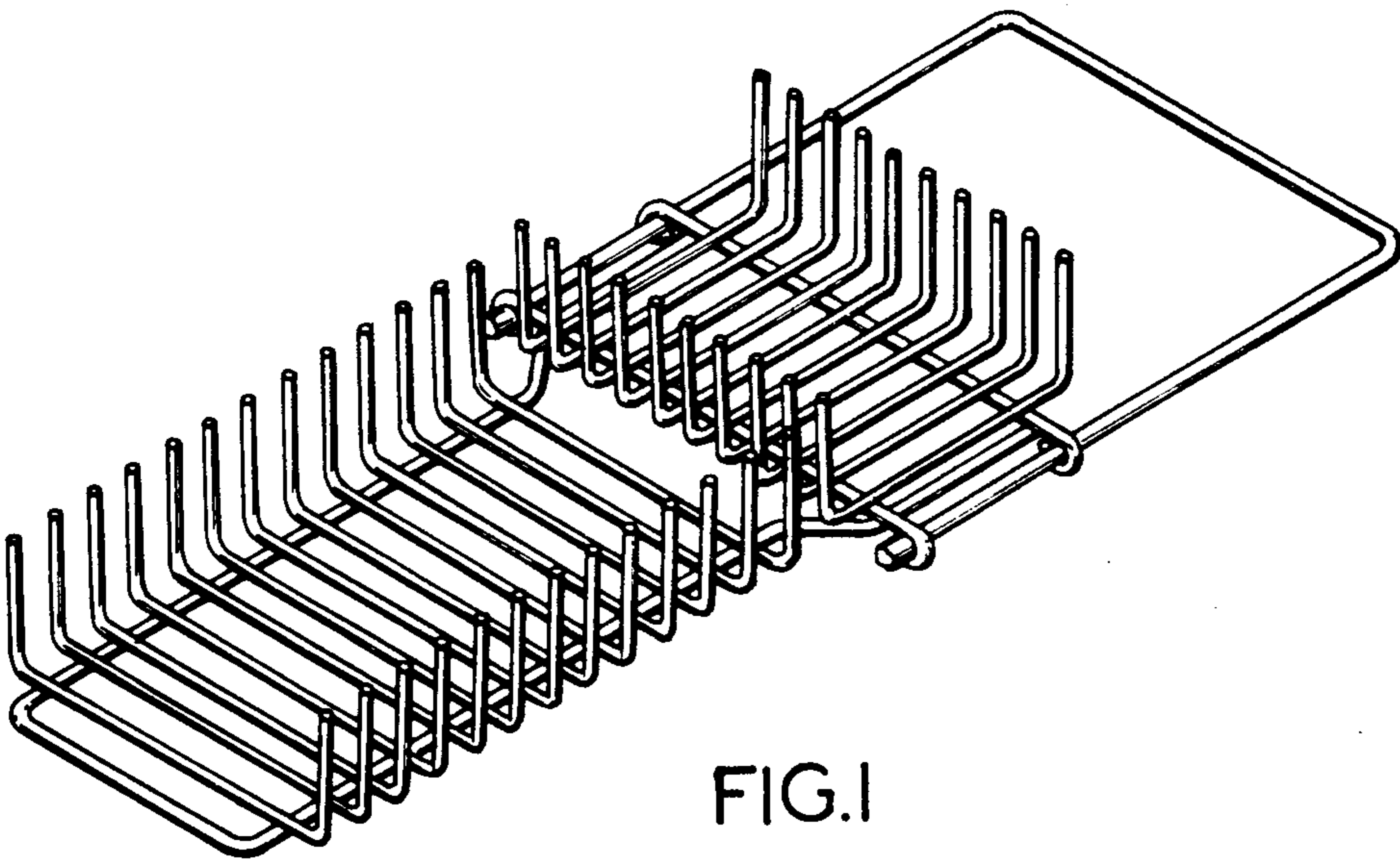


FIG. 1

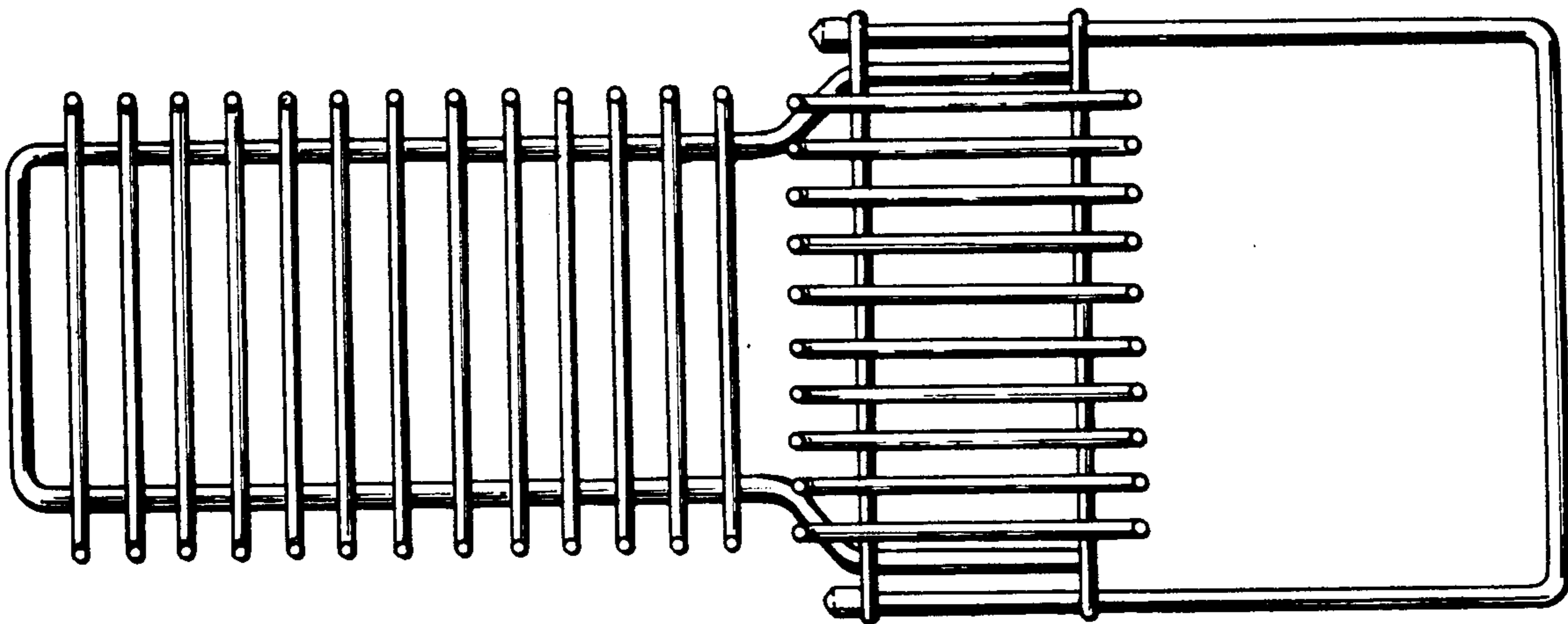


FIG. 2

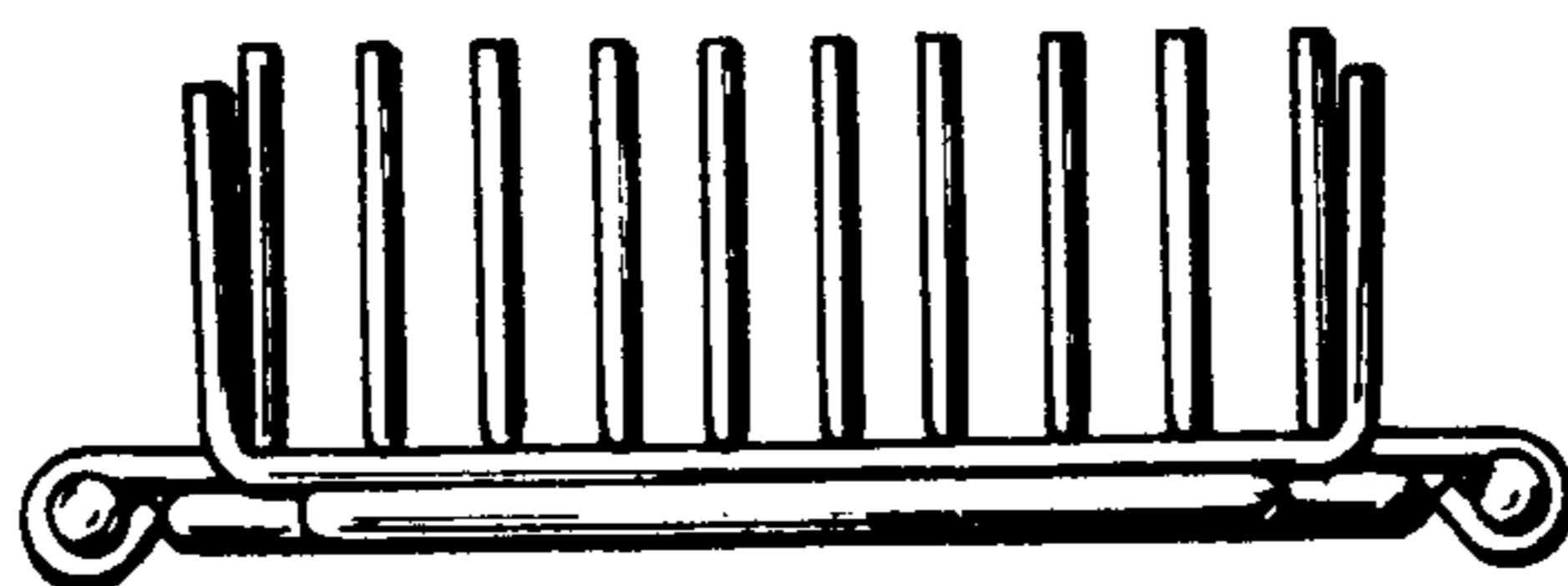


FIG. 3

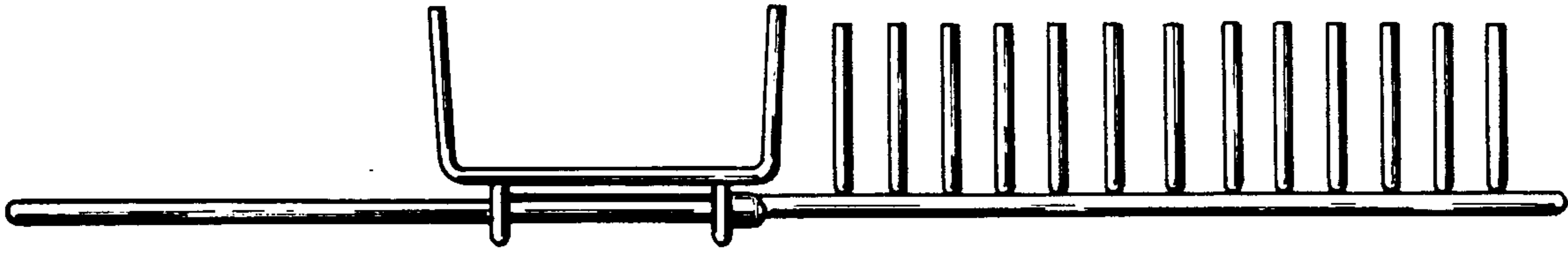


FIG. 4

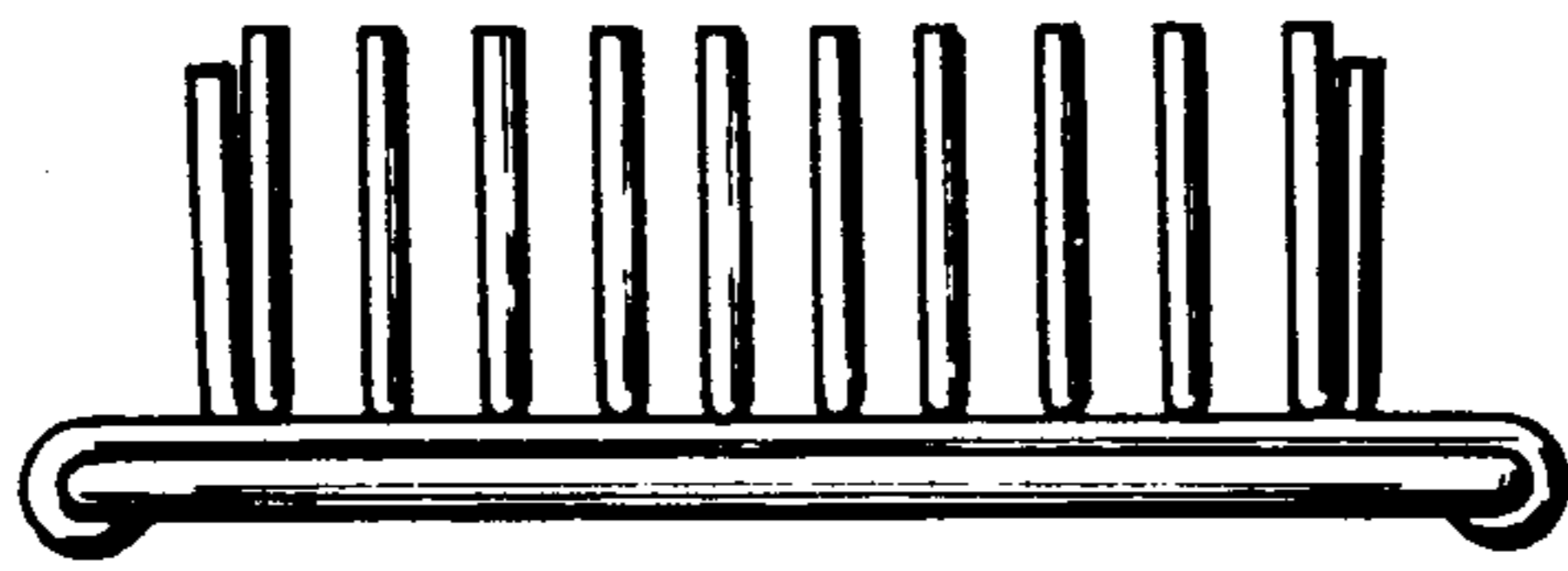


FIG. 5

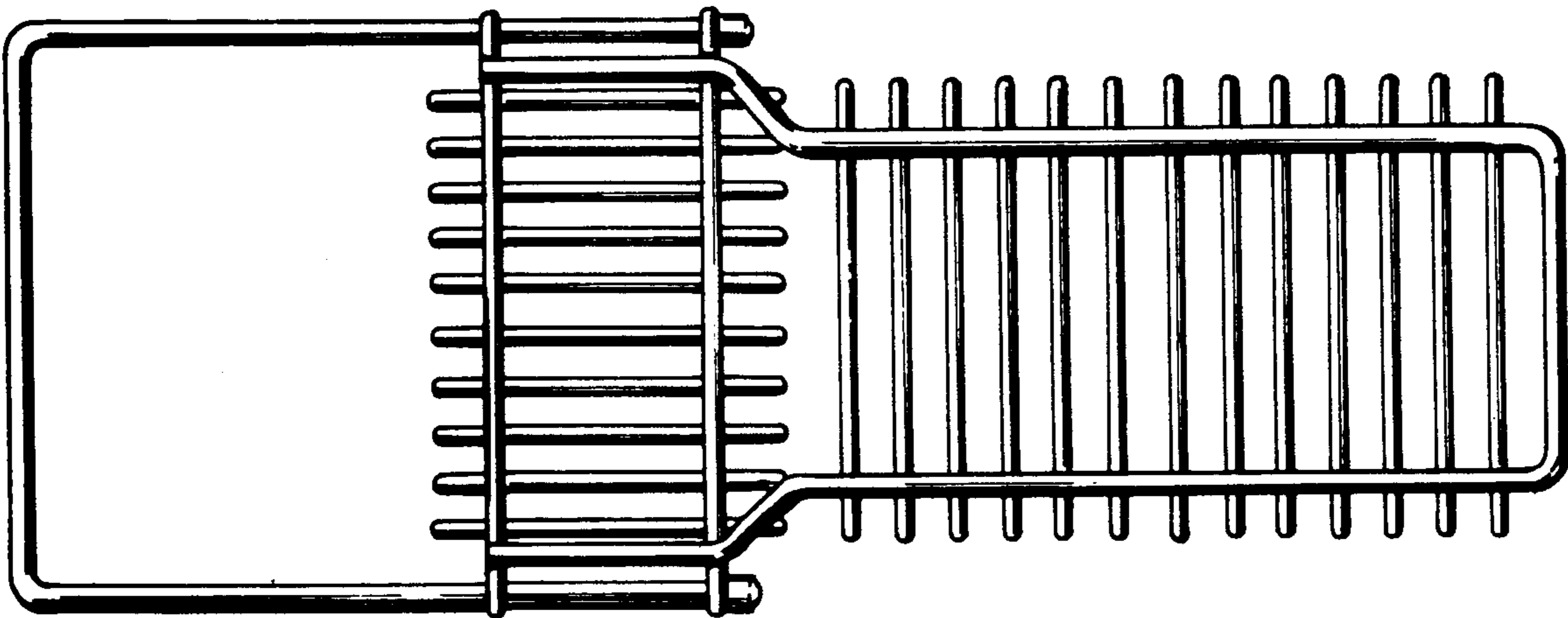


FIG. 6

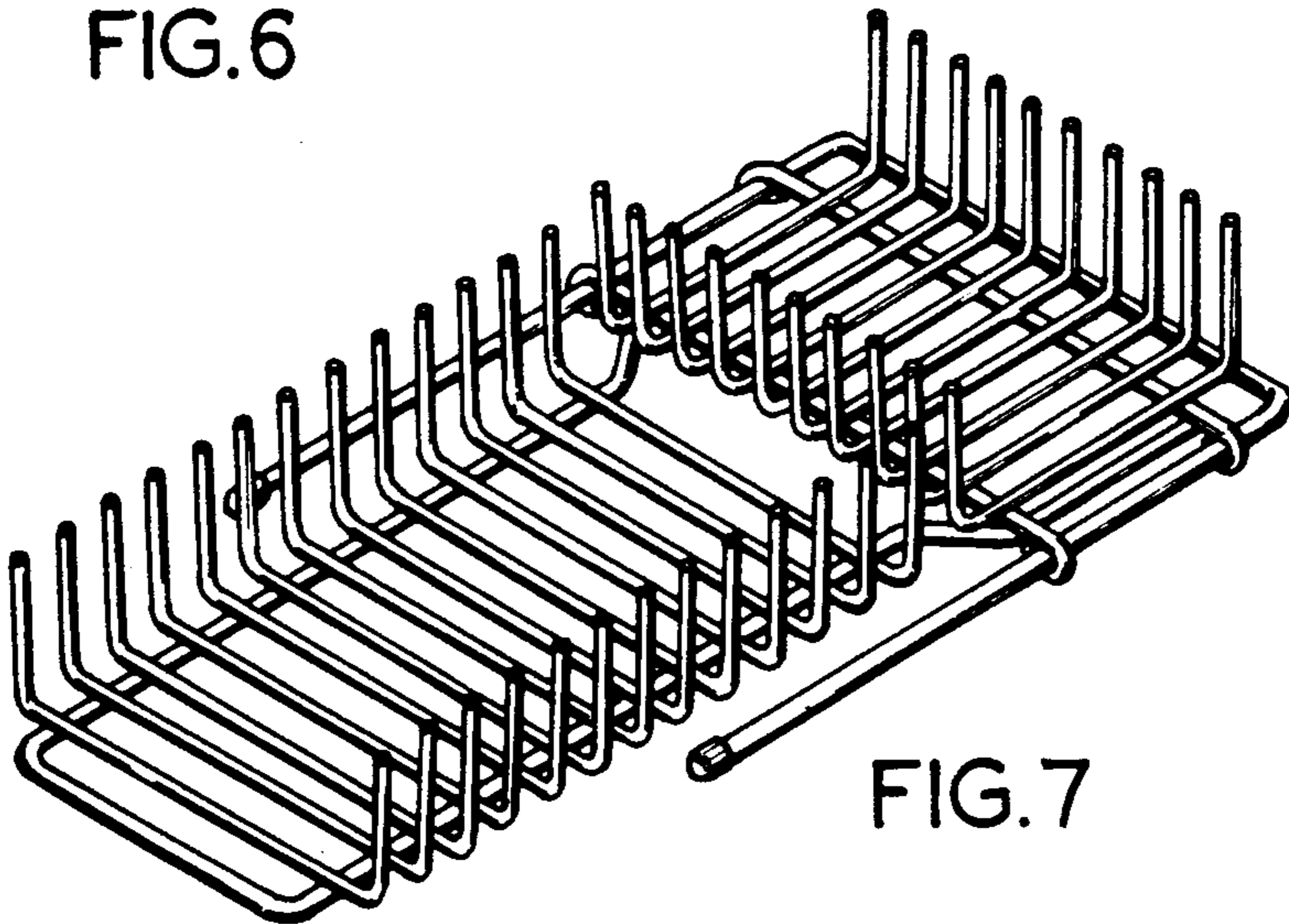


FIG. 7