

[54] **RACK MODULE**

[76] **Inventors:** **Marvin Glassenberg**, 6857 N. Francisco Ave., Chicago, Ill. 60645; **Theodore Zidek**, 9127 S. Sacramento Ave., Evergreen Park, Ill. 60642

[\*\*] **Term:** **14 Years**

[21] **Appl. No.:** **101,217**

[22] **Filed:** **Dec. 7, 1979**

[51] **Int. Cl.** ..... **D6-06**  
[52] **U.S. Cl.** ..... **D6/191; D6/23; D6/186**

[58] **Field of Search** ..... D6/20, 23-25, D6/27-29, 85, 113, 157, 184, 186, 188-190, 191-192, 199; 248/218.4, 219.3, 219.4; 211/13, 86, 107, 112, 88, 126, 128, 129, 131, 133, 163, 181, 183

[56] **References Cited**

**U.S. PATENT DOCUMENTS**

D. 159,217 7/1950 Lydick ..... 211/181  
D. 207,756 5/1967 Cohen ..... D6/23  
D. 221,266 7/1971 Ivory ..... D6/186  
D. 237,338 10/1975 Berkman ..... D6/186

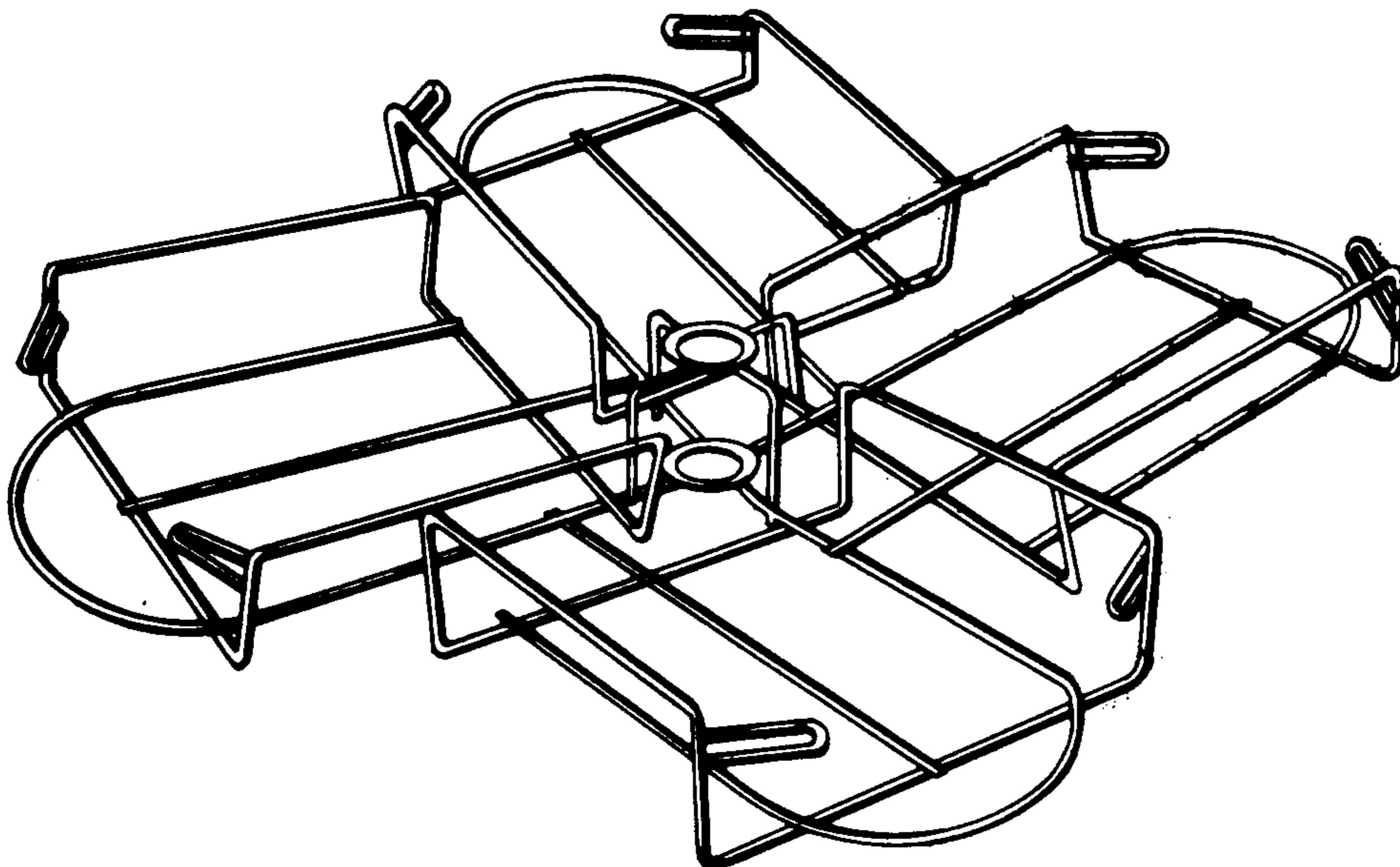
*Primary Examiner*—B. J. Bullock

[57] **CLAIM**

The ornamental design for a rack module, as shown.

**DESCRIPTION**

FIG. 1 is a reduced perspective view of a rack showing our new design.  
FIG. 2 is a side elevational view thereof, all sides being identical.



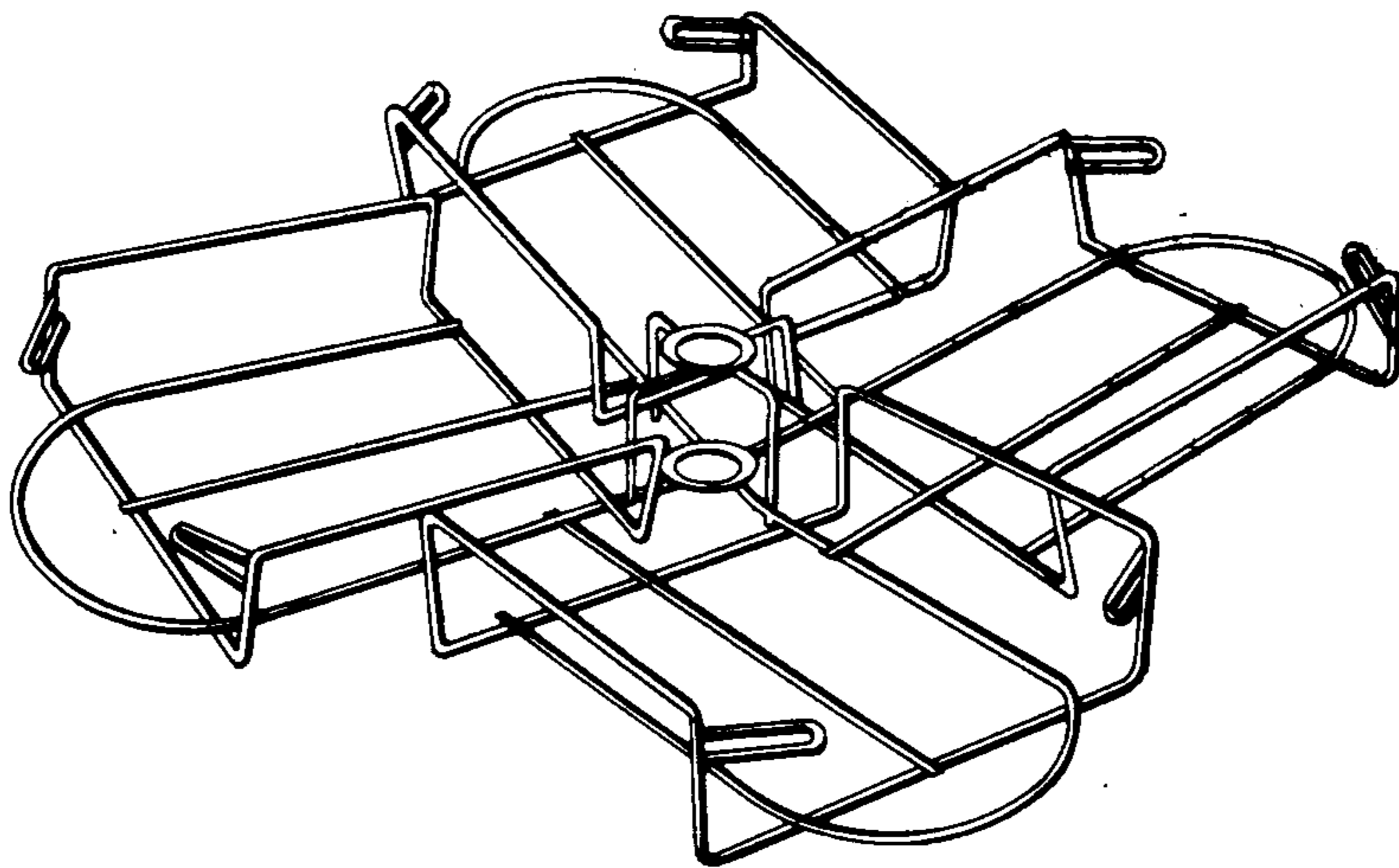


FIG. 1

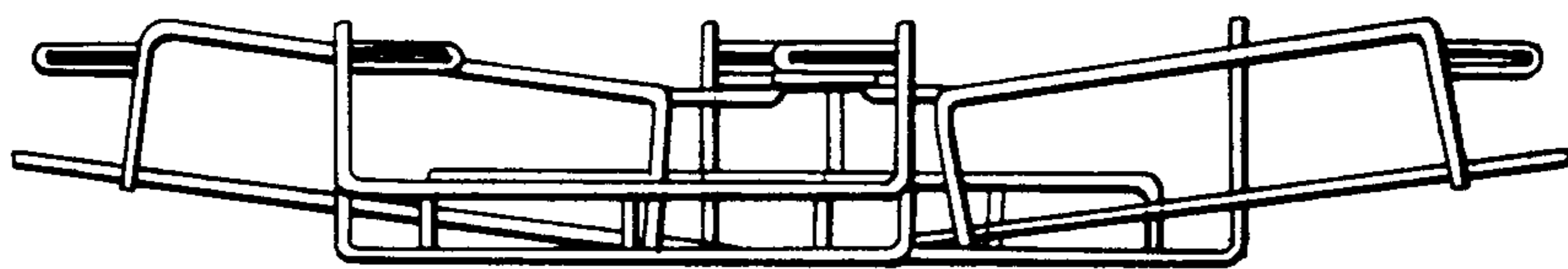


FIG. 2