

[54] COMBINED TENNIS RACKET HOLDER AND SHELF

[75] Inventor: David Thorne, Tarzana, Calif.

[73] Assignee: CMT Development Corporation, Northridge, Calif.

[\*\*] Term: 14 Years

[21] Appl. No.: 794,031

[22] Filed: May 5, 1977

[51] Int. Cl. .... D6-04

[52] U.S. Cl. .... D6/125; D6/114; D6/136

[58] Field of Search ..... D6/114-119, D6/123-125, 128, 130-132, 136, 137; 211/34, 35, 60 R, 60 T, 87, 88, 90, 95, 96

[56] References Cited

U.S. PATENT DOCUMENTS

D. 238,735	2/1976	Toleschmann .....	D6/114
D. 245,214	8/1977	Allen .....	D6/114
3,858,725	1/1975	Pietrack et al. ....	211/90

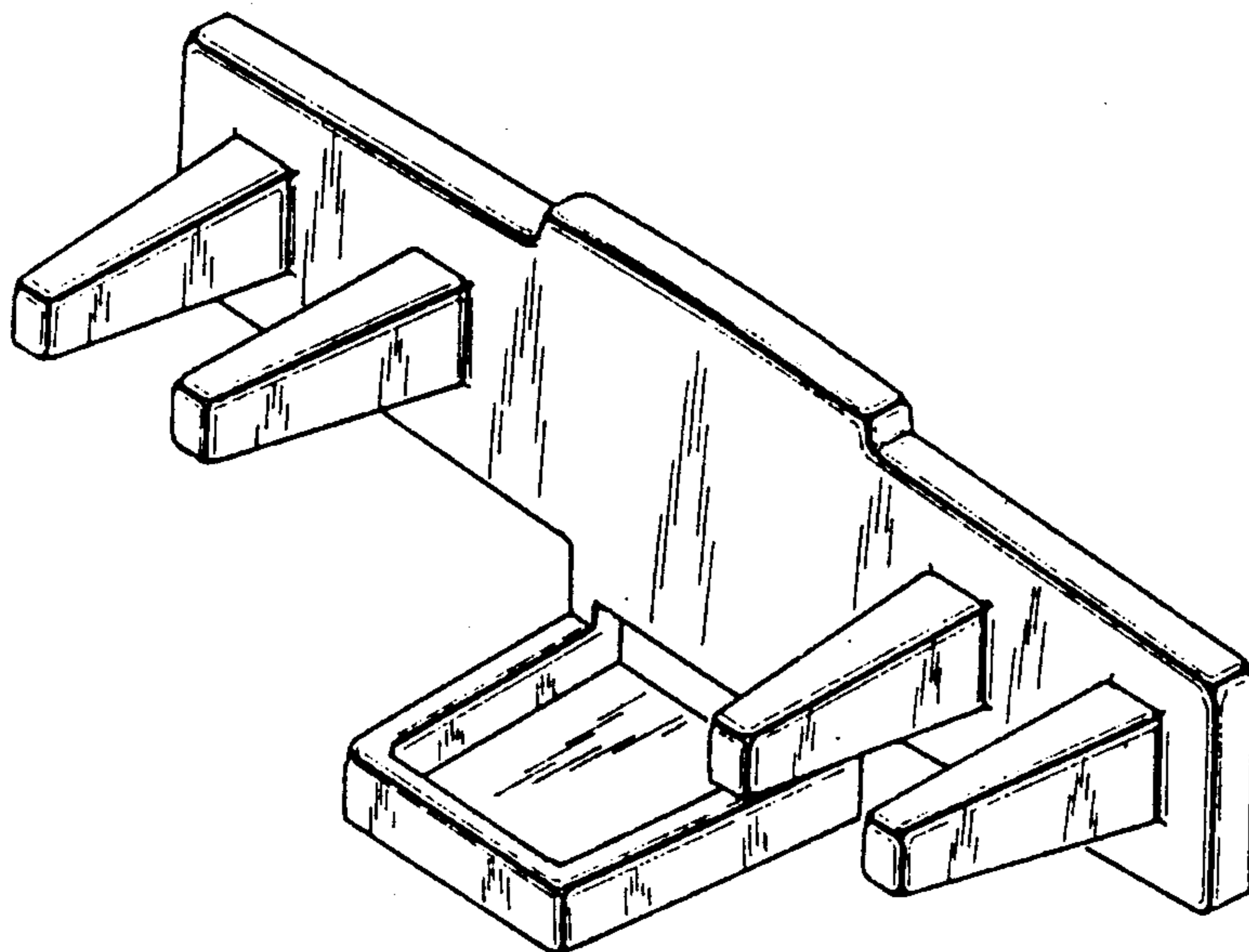
Primary Examiner—Wallace R. Burke  
Assistant Examiner—B. J. Bullock  
Attorney, Agent, or Firm—Albert M. Herzig; Edward C. Walsh

[57] CLAIM

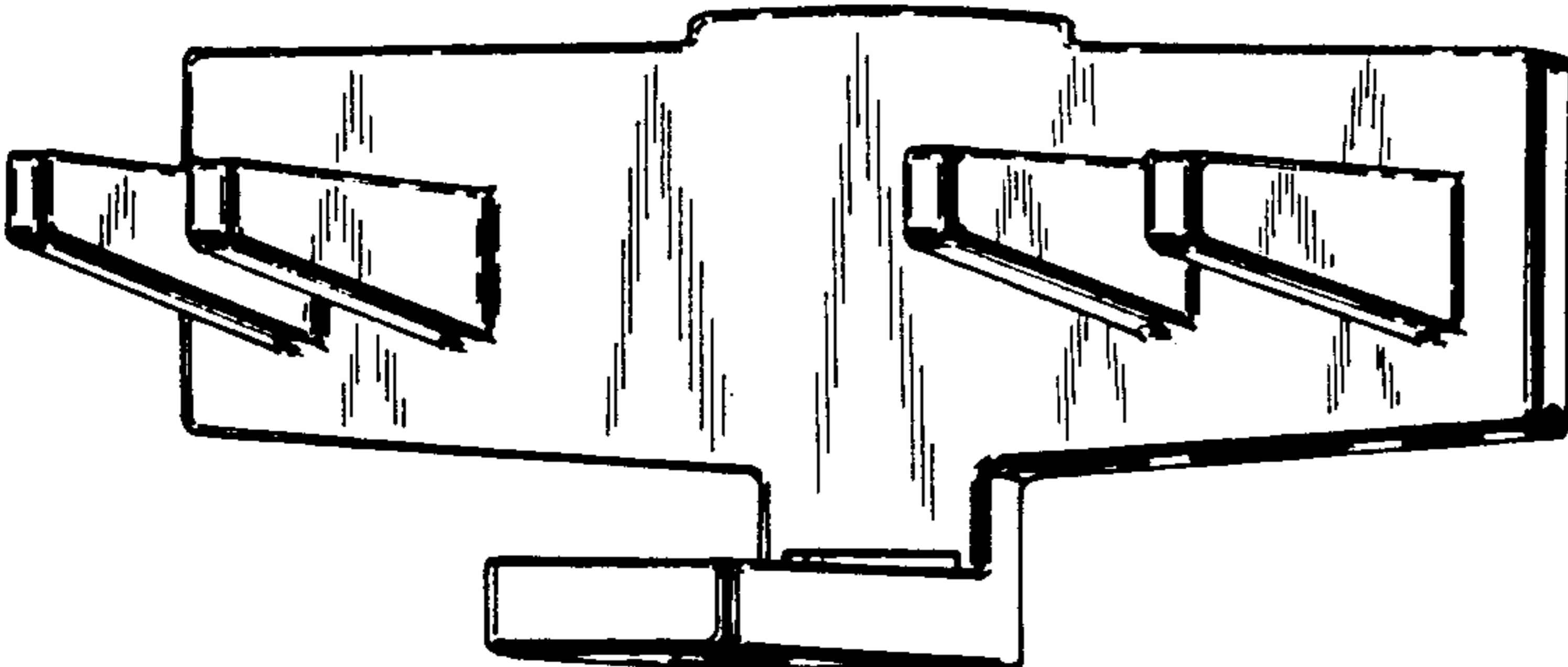
The ornamental design for a combined tennis racket holder and shelf, substantially as shown and described.

DESCRIPTION

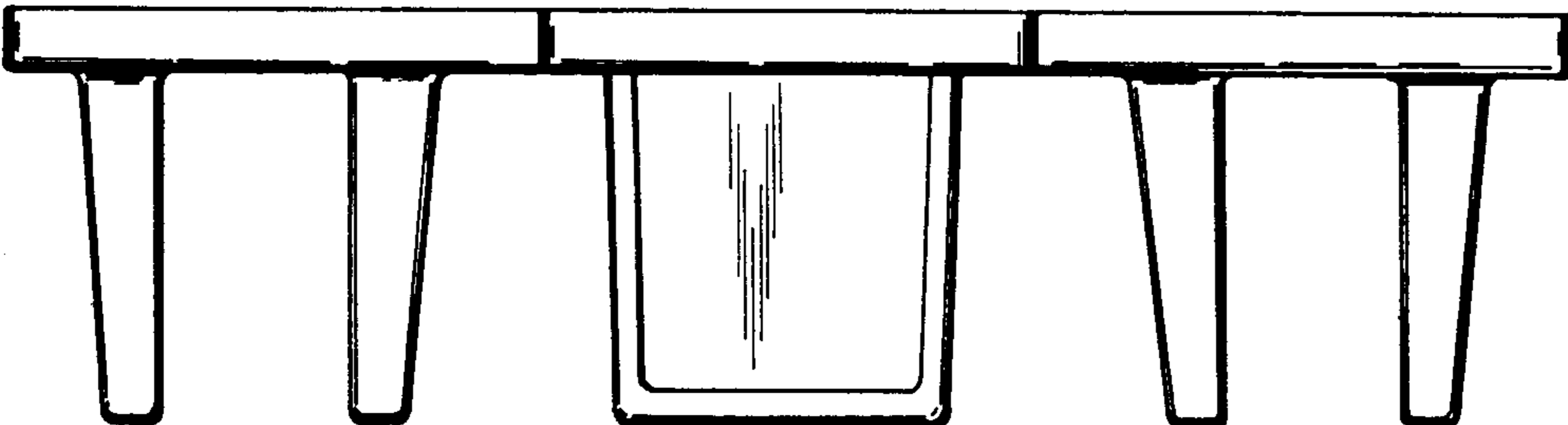
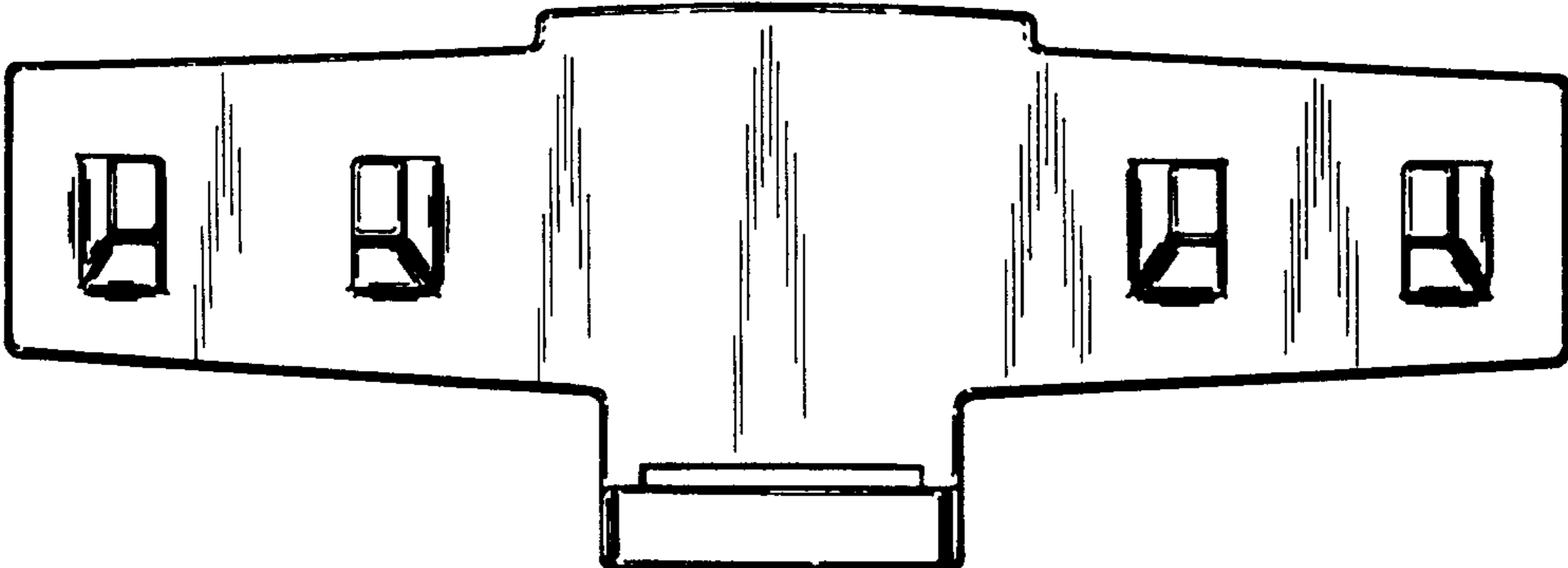
FIG. 1 is a reduced isometric view of a combined tennis racket holder and shelf, showing my new design; FIG. 2 is a front elevational view thereof; FIG. 3 is a top plan view thereof; FIG. 4 is a side elevational view thereof; FIG. 5 is a further isometric view thereof; FIG. 6 is a rear elevational view thereof; FIG. 7 is a sectional view taken on line 7-7 of FIG. 6.



*Fig. 1*



*Fig. 2*



*Fig. 3*

*Fig. 4*

