

[54] COMBINATION STADIUM SEAT, CUSHION AND CAPE CARRYING CASE

Primary Examiner—Bruce W. Dunkins
Attorney, Agent, or Firm—Max L. Wymore

[76] Inventor: Vinton A. Bayne, 2710 15th St.,
Boulder, Colo. 80302

[57] CLAIM

The ornamental design for combination stadium seat, cushion and cape carrying case, as shown and described.

[**] Term: 14 Years

[21] Appl. No.: 949,790

[22] Filed: Oct. 10, 1978

DESCRIPTION

Related U.S. Application Data

[63] Continuation of Ser. No. 768,554, Feb. 14, 1977, and a continuation of Ser. No. 768,555, Feb. 14, 1977.

FIG. 1 is a perspective view of my combination stadium seat, cushion and cape carrying case showing my new design;
FIG. 2 is a front elevational view thereof;
FIG. 3 is a side elevational view with opposite side being a mirror image thereof;
FIG. 4 is a rear elevational view thereof;
FIG. 5 is a top plan view thereof;
FIG. 6 is a bottom plan view thereof;
FIG. 7 is a perspective view in closed position;
FIG. 8 is a top plan view thereof in closed position;
FIG. 9 is a side elevational view in closed position with the opposite side being a mirror image thereof;
FIG. 10 is a bottom plan view thereof in closed position;
FIG. 11 is a front elevational view thereof in closed position; and,
FIG. 12 is a rear elevational view thereof in closed position.

[51] Int. Cl. D6—01

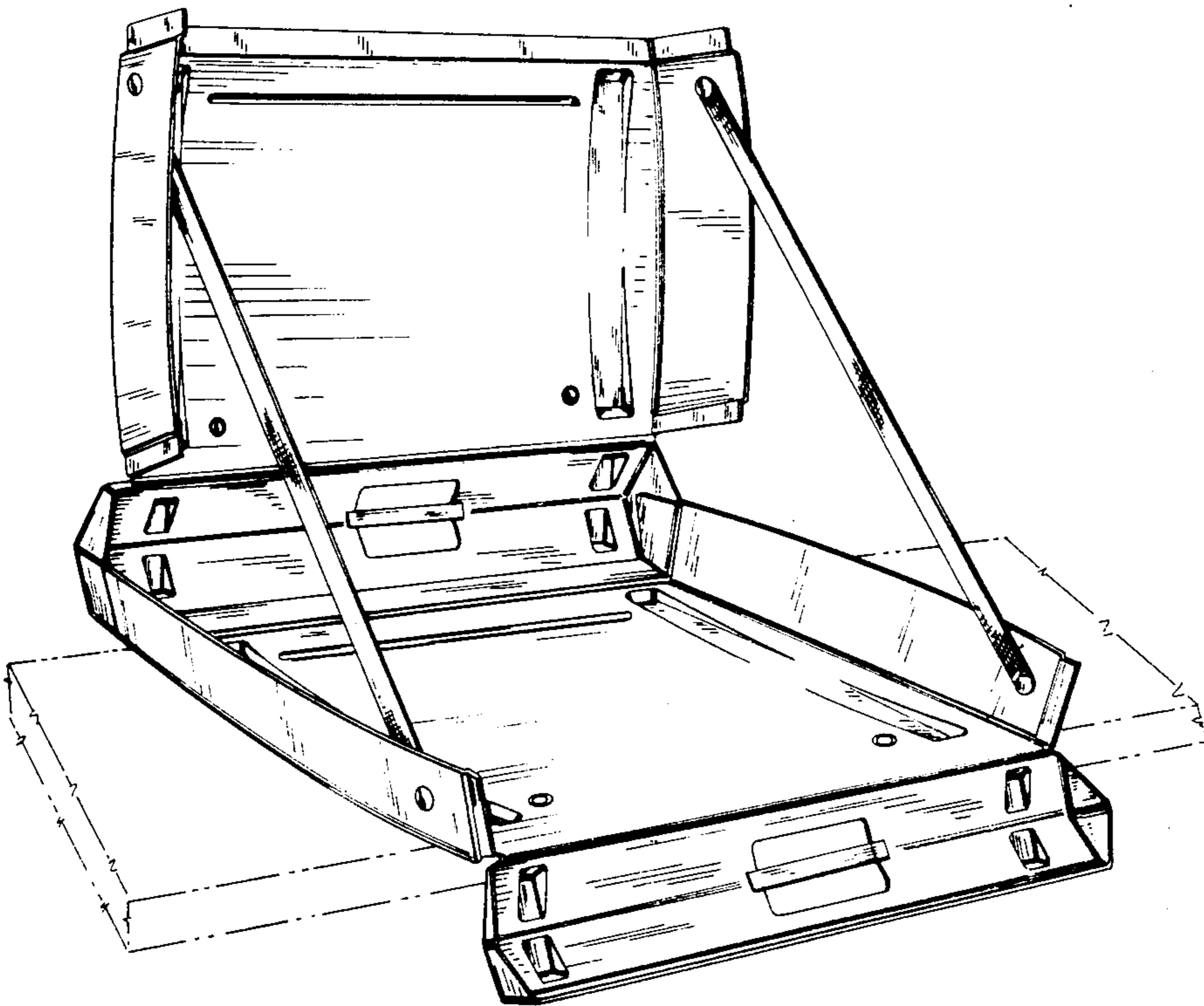
[52] U.S. Cl. D6/47; D6/64

[58] Field of Search D6/3, 4, 47, 42, 64,
D6/197, 200; 297/17, 188, 456; D87/5 F

[56] References Cited

U.S. PATENT DOCUMENTS

2,915,154	12/1959	Holder	297/17 X
3,419,309	12/1968	Smith	297/456
3,580,633	5/1971	Du Priest	297/188 X
3,674,306	7/1972	Botney	297/17



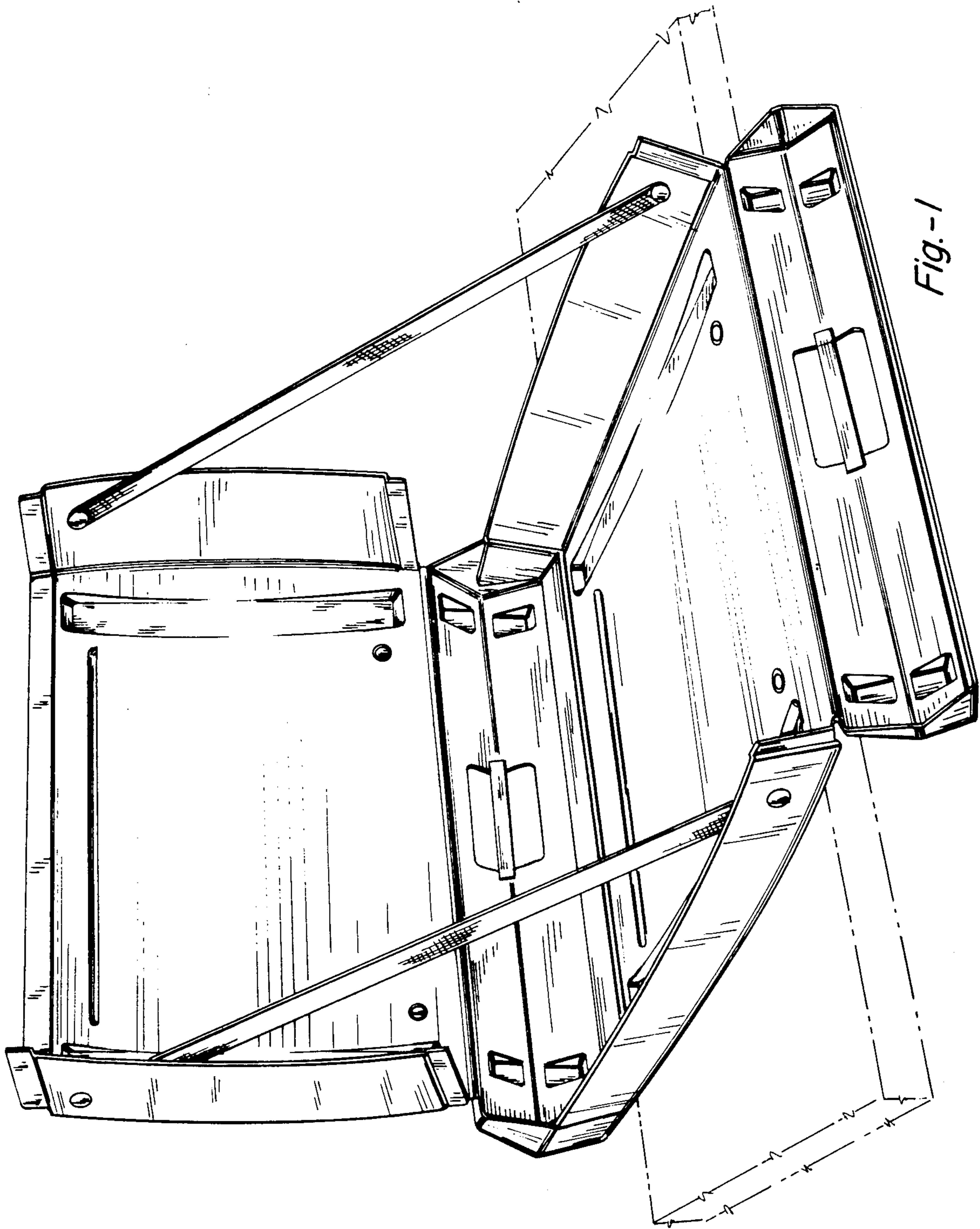


Fig.-1

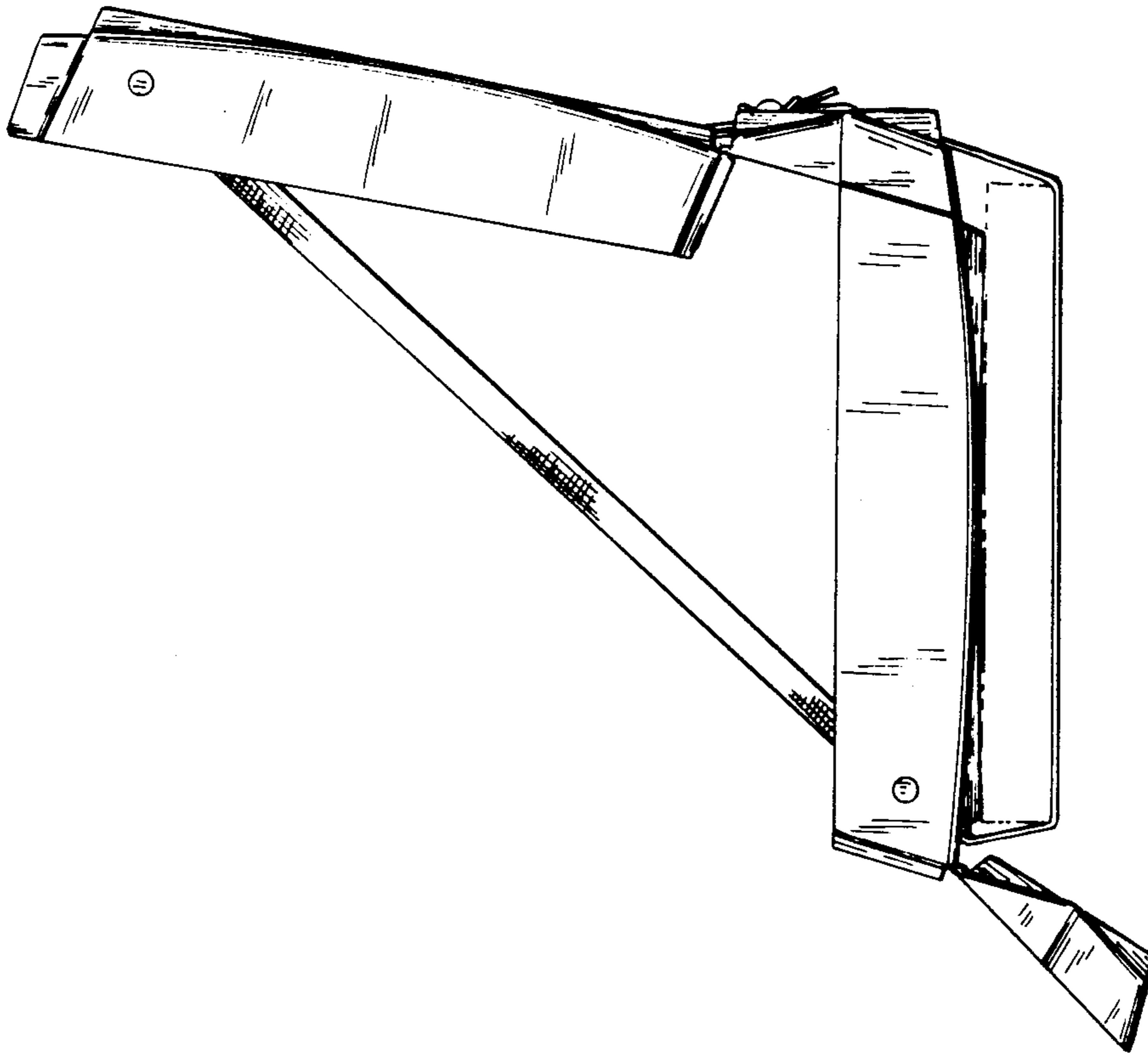


Fig. -3

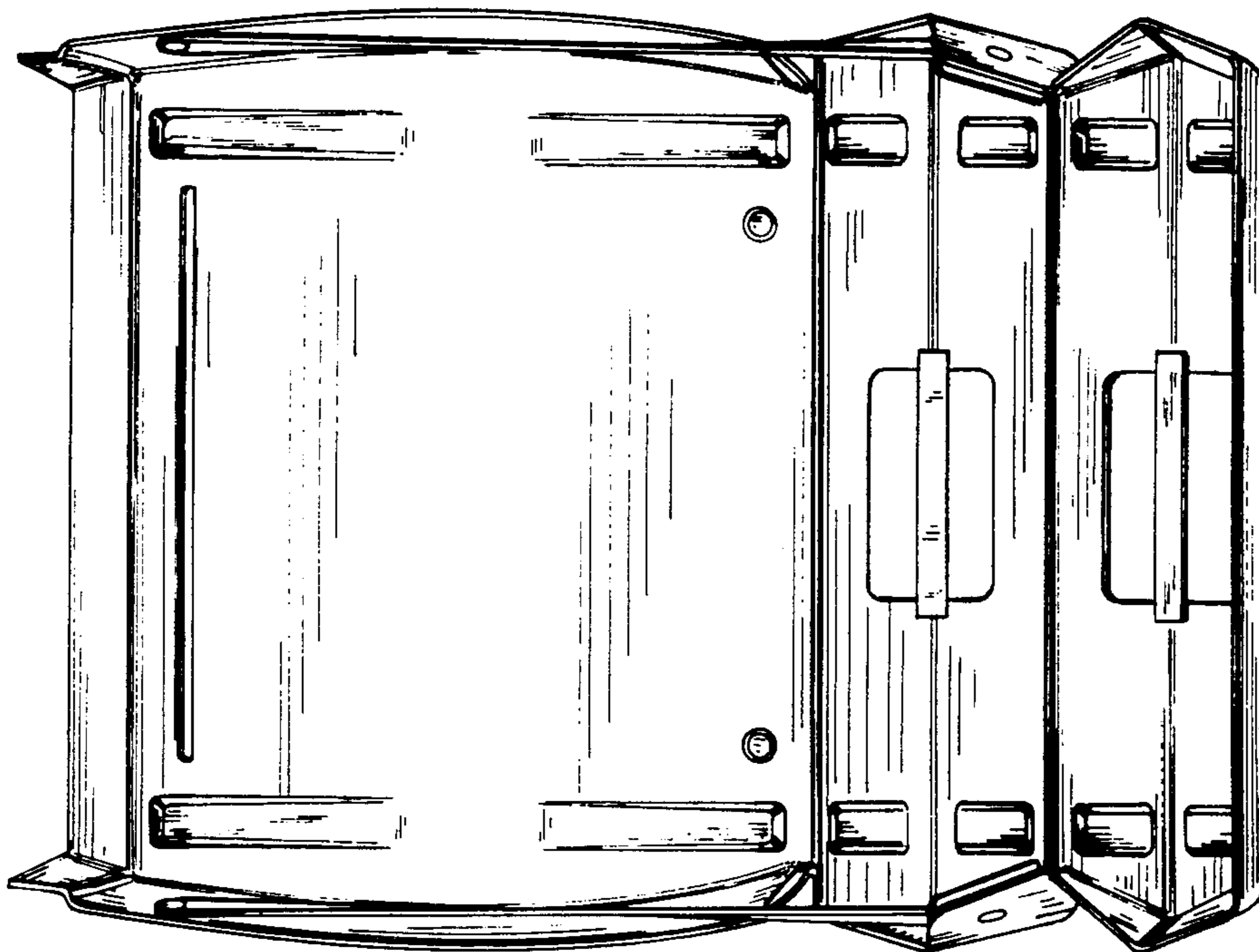


Fig. -2

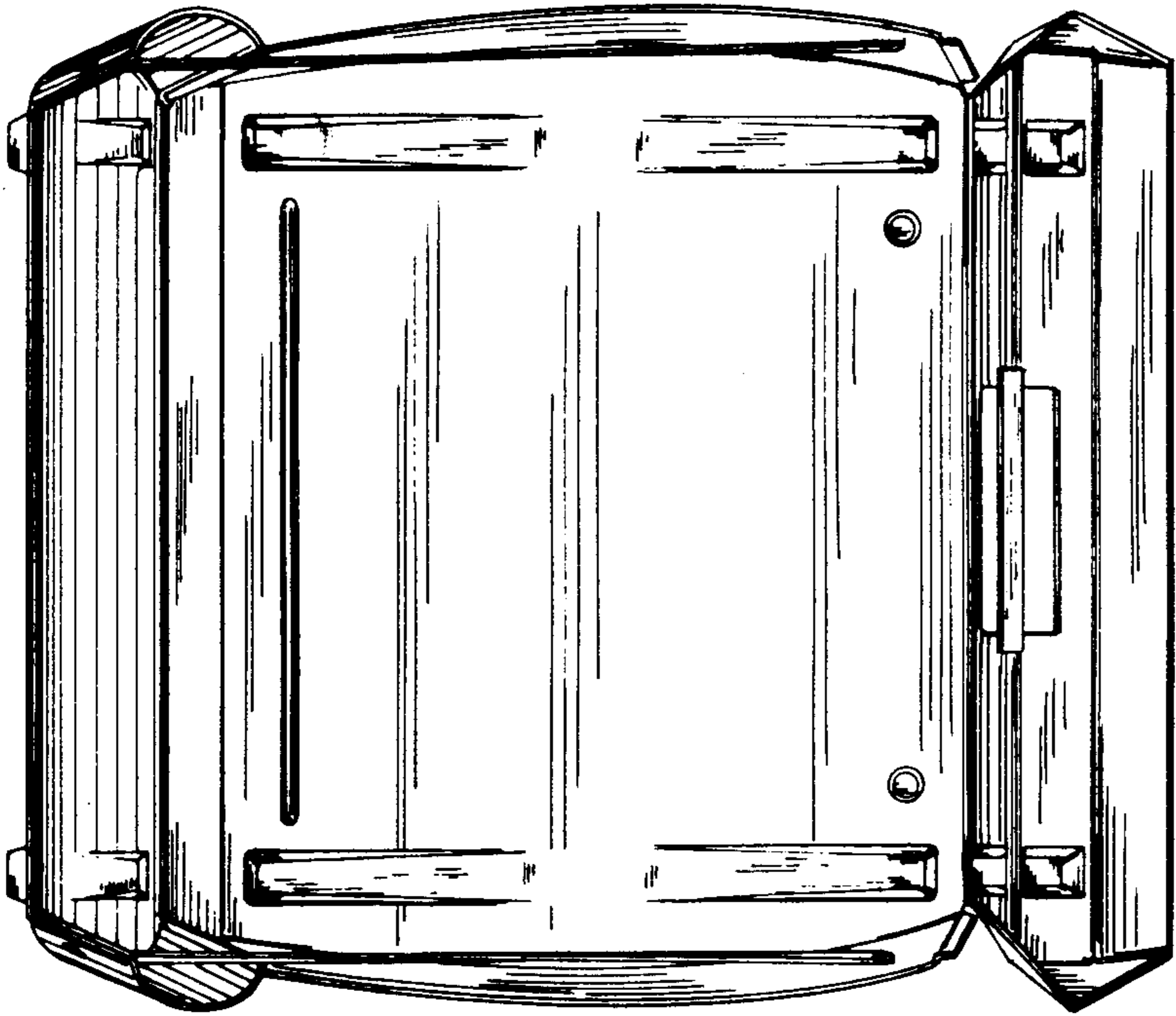


Fig. -5

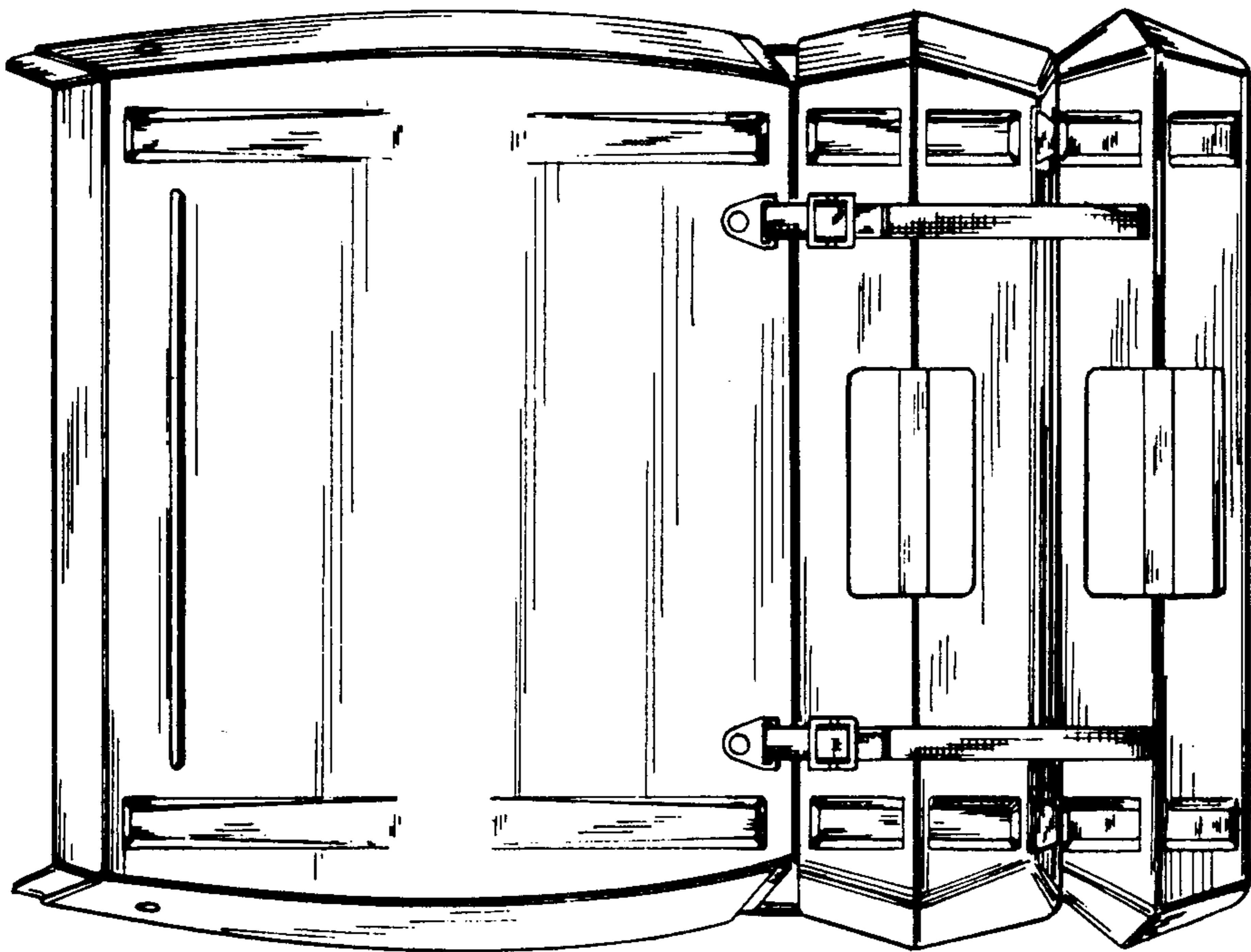


Fig. -4

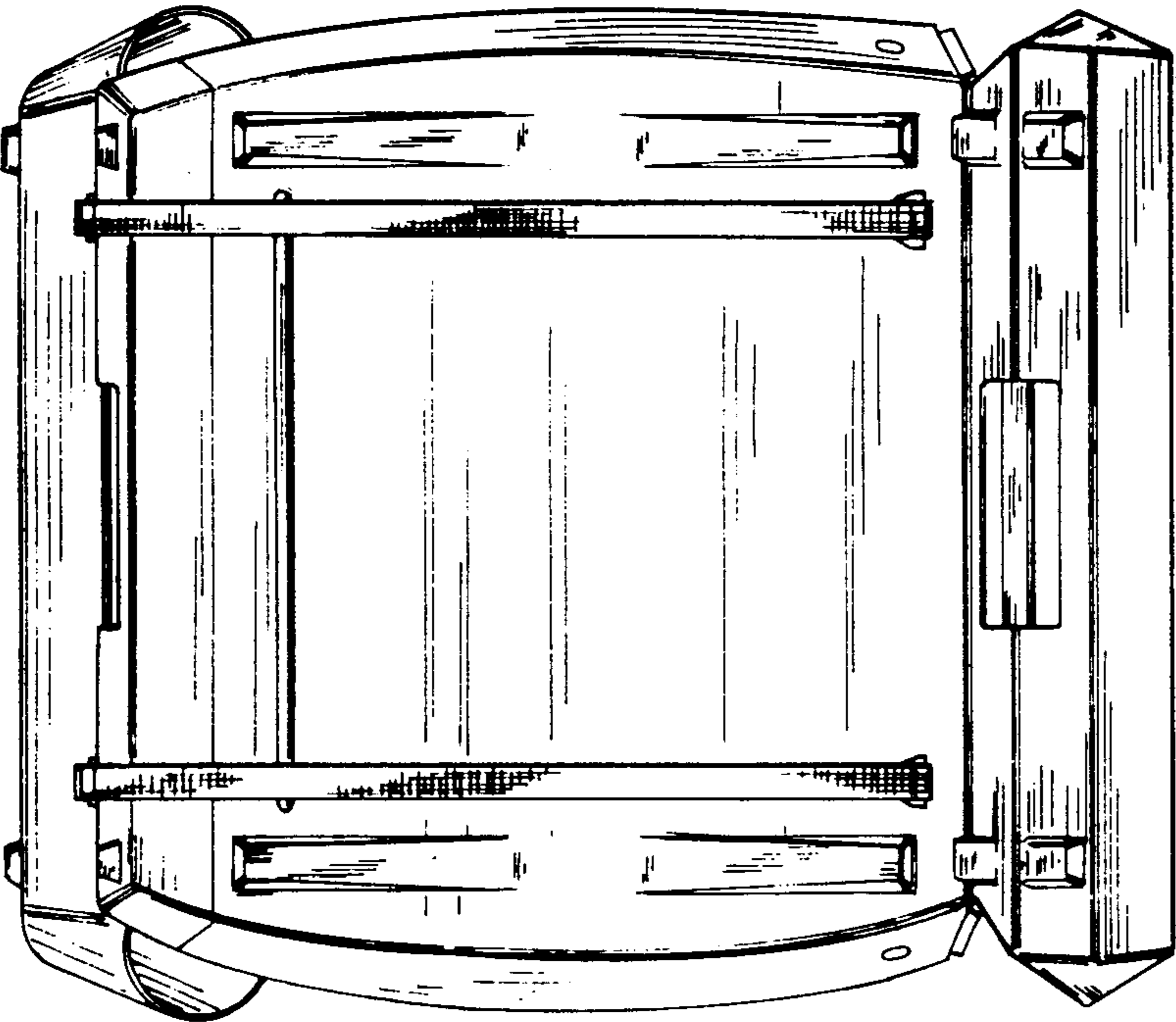


Fig.-6

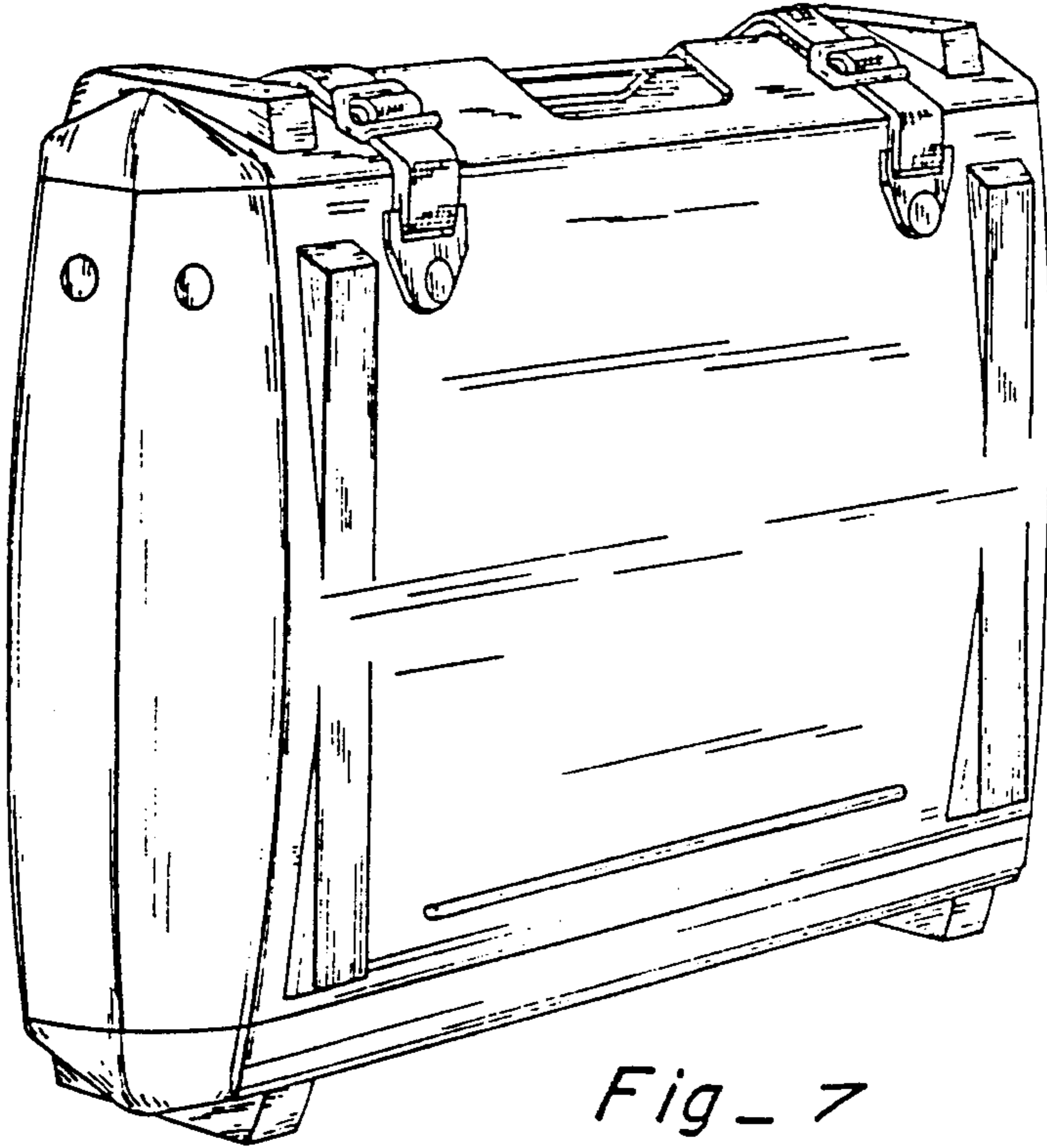


Fig - 7

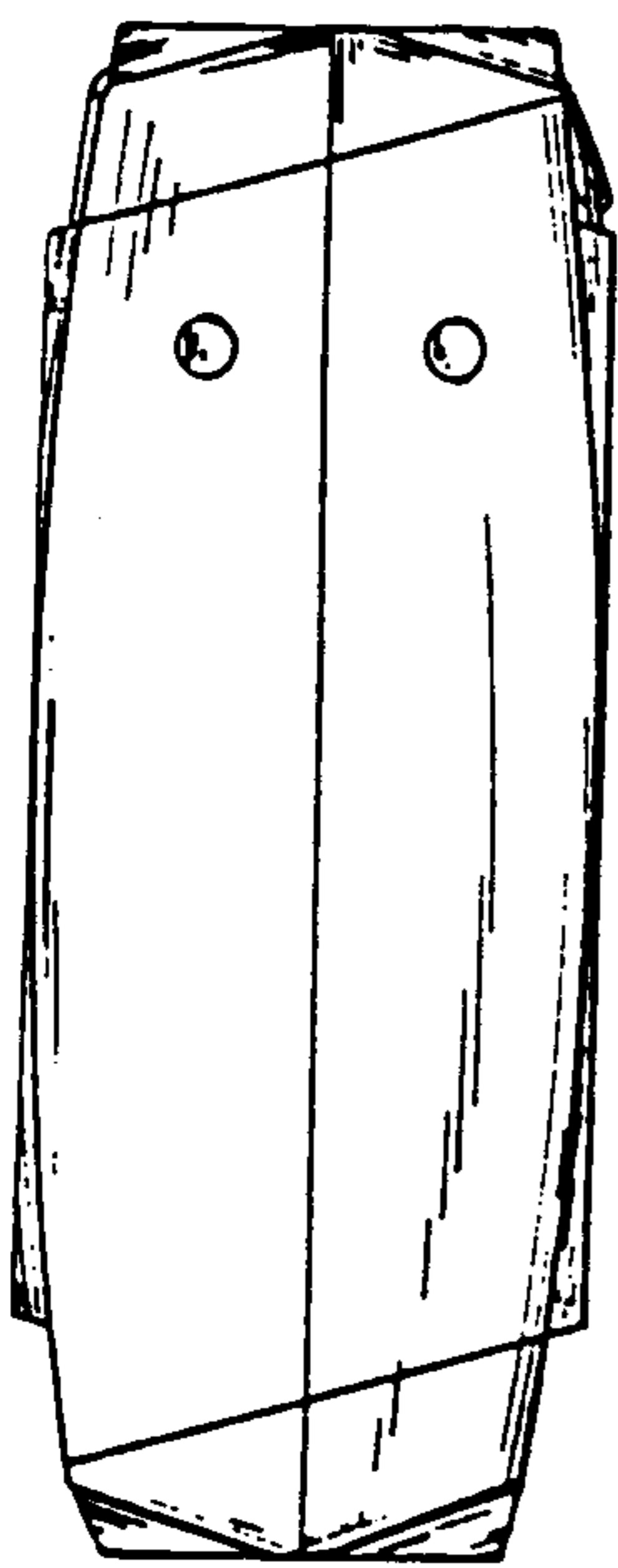


Fig-9

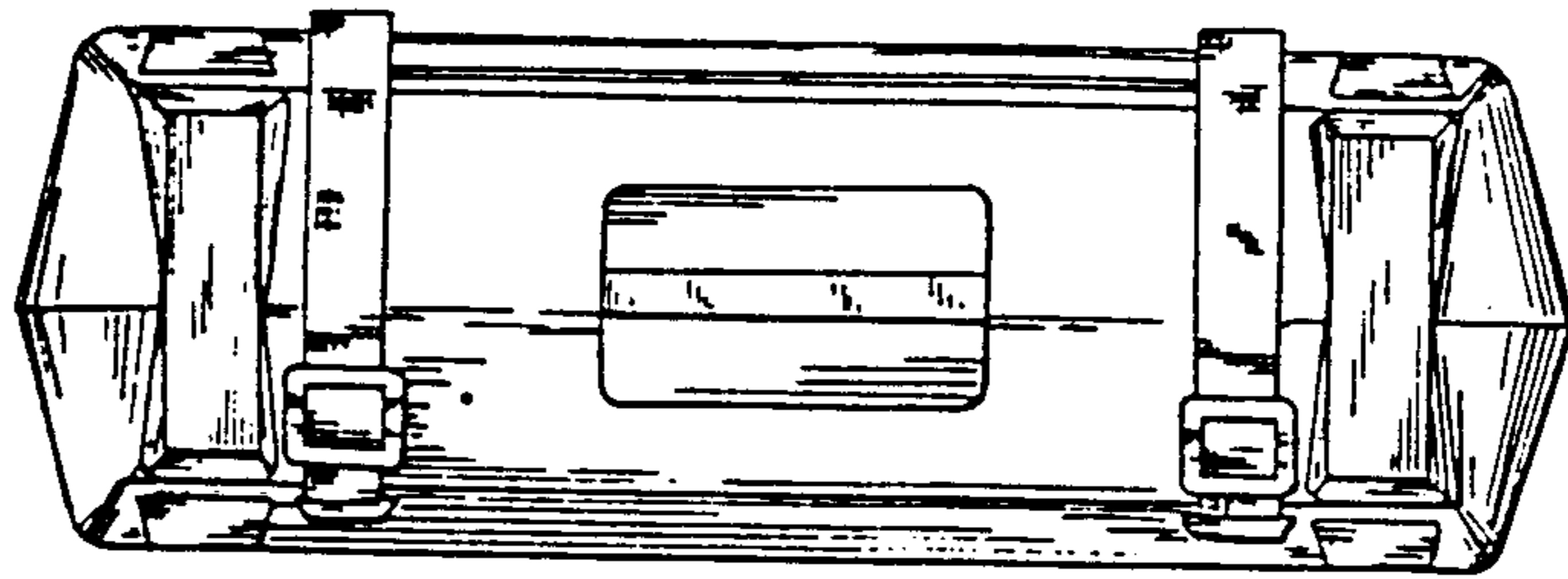


Fig - 8

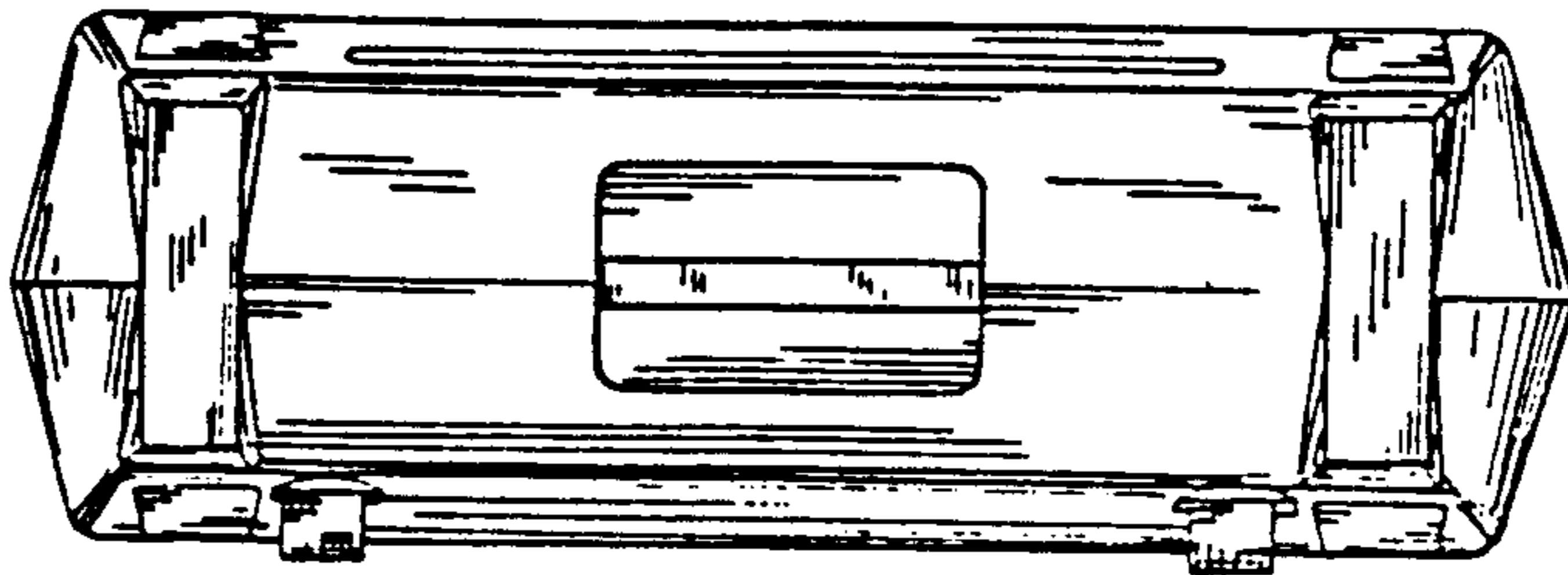


Fig-10

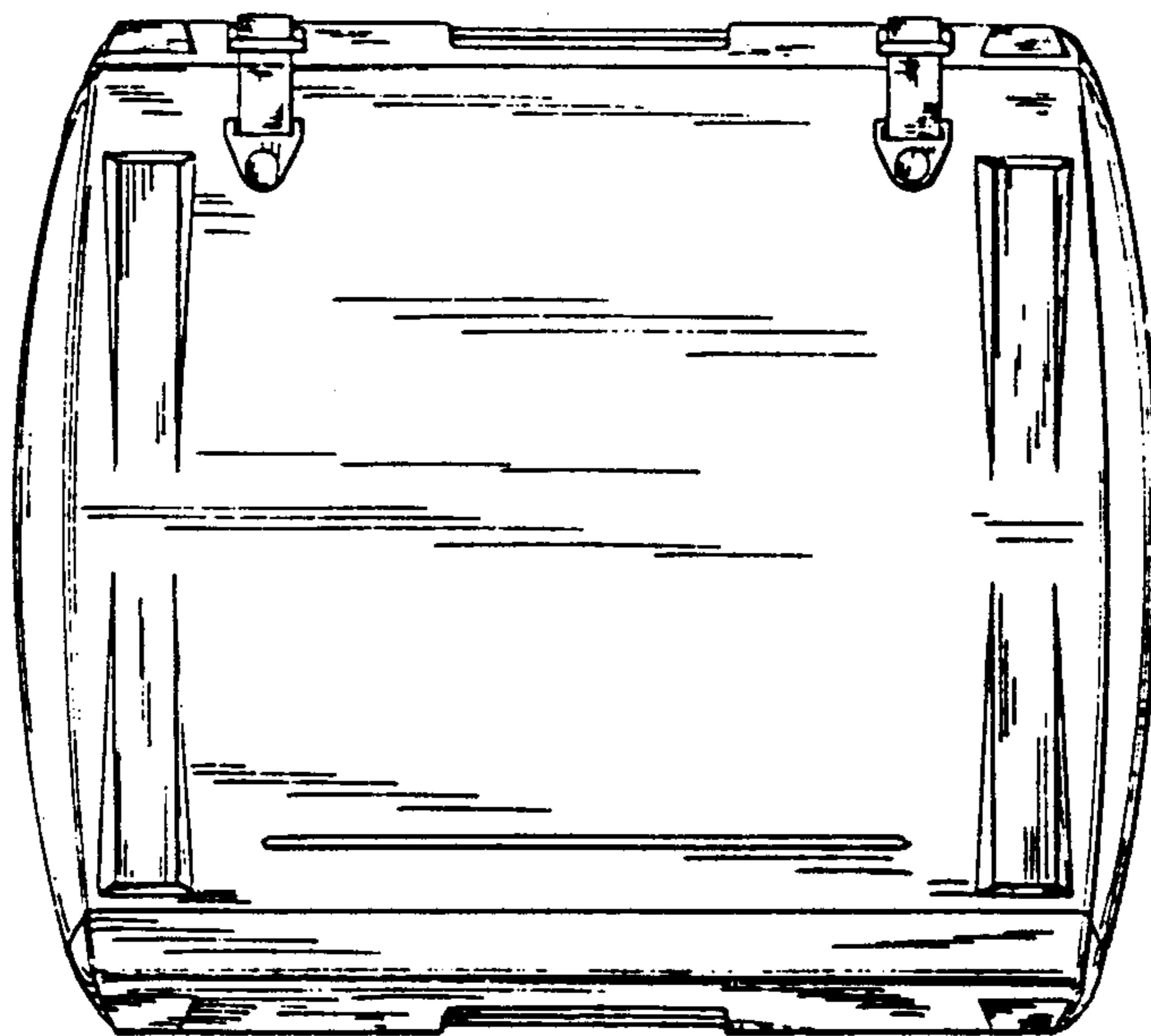


Fig - 11

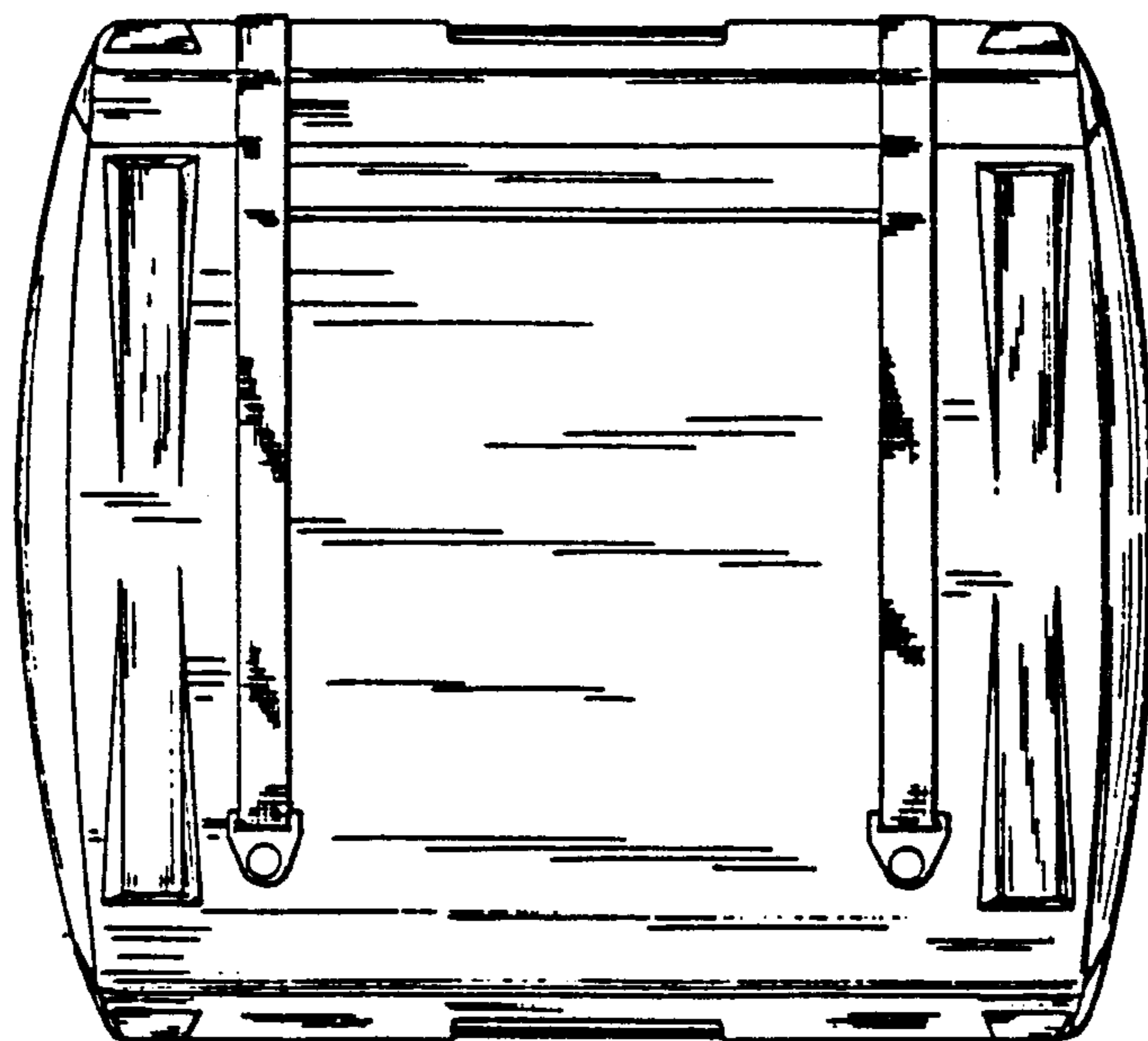


Fig - 12