

[54] **SKATEBOARD**

[76] **Inventor:** John R. Lukes, 17914 Gard Ave.,  
Artesia, Calif. 90701

[\*\*] **Term:** 14 Years

[21] **Appl. No.:** 913,741

[22] **Filed:** Jun. 8, 1978

[51] **Int. Cl.** ..... D21—02

[52] **U.S. Cl.** ..... D21/227; D21/137

[58] **Field of Search** ..... D21/227, 226, 128, 134,  
D21/136, 137, 140, 141, 76, 78; 280/87.04 R,  
87.04 A, 87.04 B, 11.1 R, 11.19, 87.01, 87.05;  
46/201, 210, 222

[56] **References Cited**

**U.S. PATENT DOCUMENTS**

|            |        |                |         |
|------------|--------|----------------|---------|
| D. 220,578 | 4/1971 | Hall .....     | D21/136 |
| D. 222,917 | 2/1972 | Harrison ..... | D21/136 |
| D. 226,813 | 5/1973 | French .....   | D21/227 |

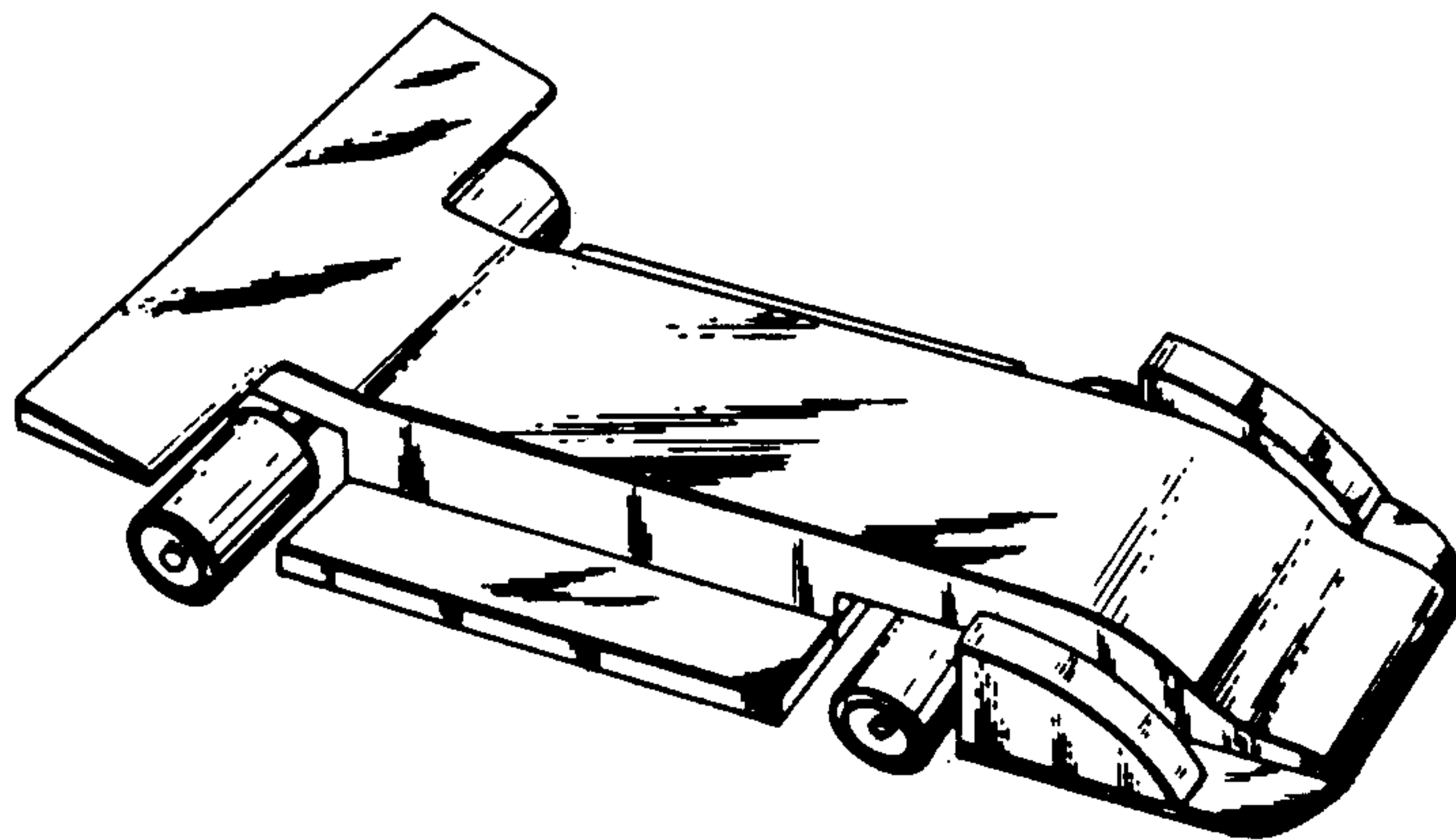
*Primary Examiner*—Charles A. Rademaker  
*Attorney, Agent, or Firm*—Lewis B. Sternfels

[57] **CLAIM**

The ornamental design for a skateboard, as shown.

**DESCRIPTION**

FIG. 1 is a front perspective view of a skateboard showing my new design;  
FIG. 2 is a front elevational view thereof shown on an enlarged scale;  
FIG. 3 is a rear elevational view thereof;  
FIG. 4 is a top plan view thereof;  
FIG. 5 is a bottom plan view thereof; and  
FIG. 6 is a right side elevational view thereof.



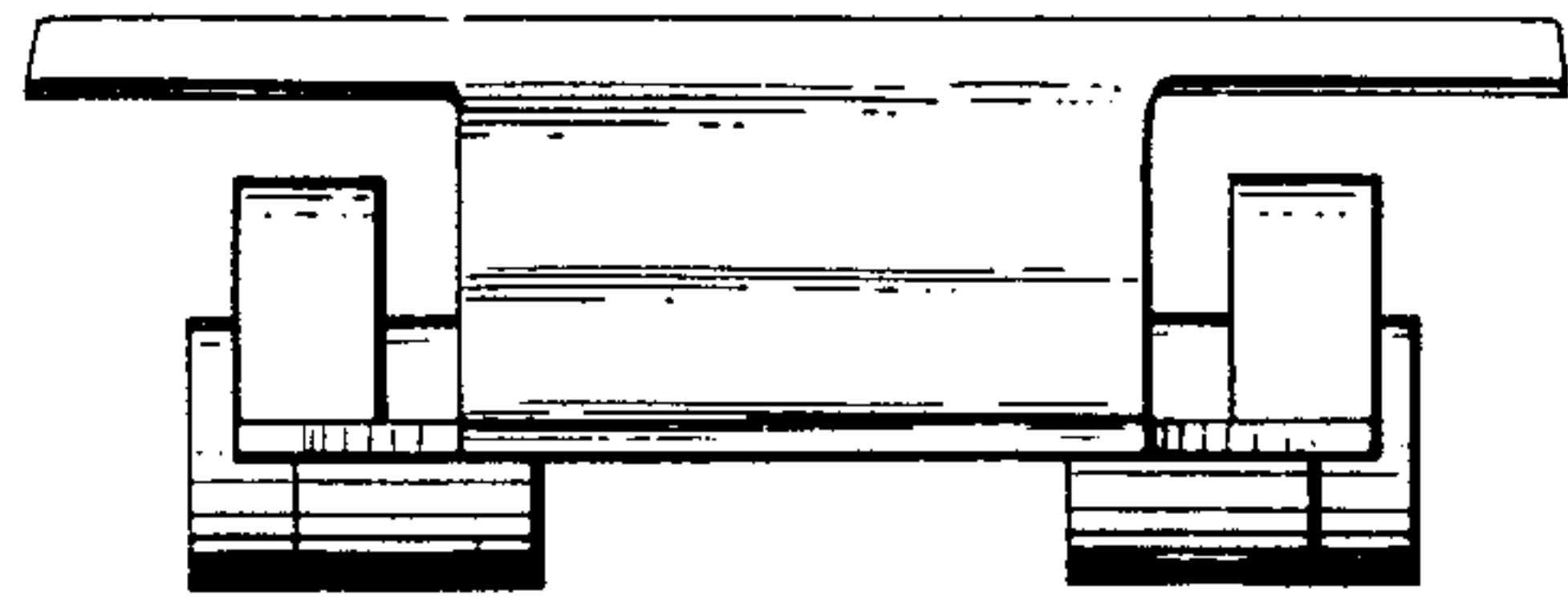
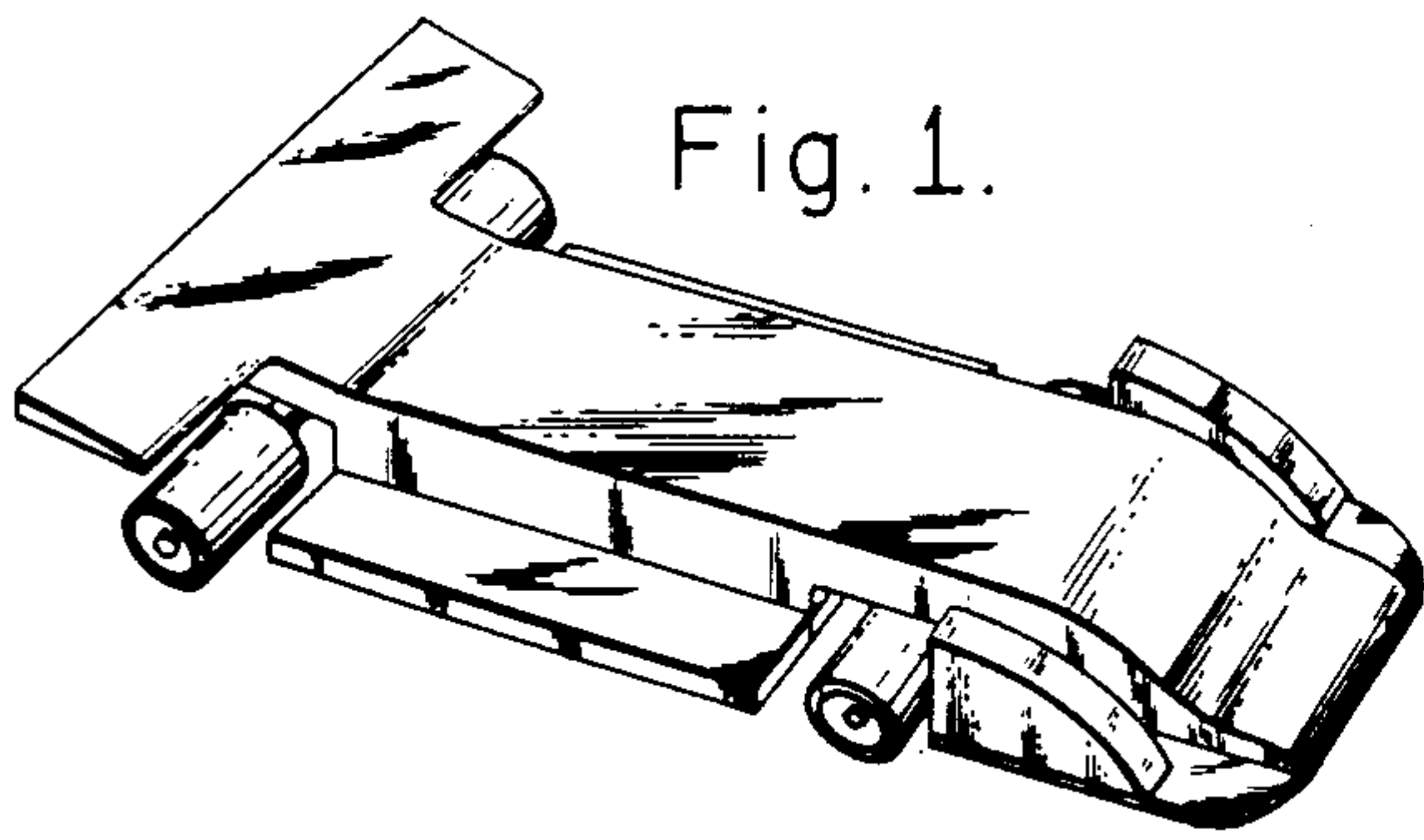


Fig. 2.

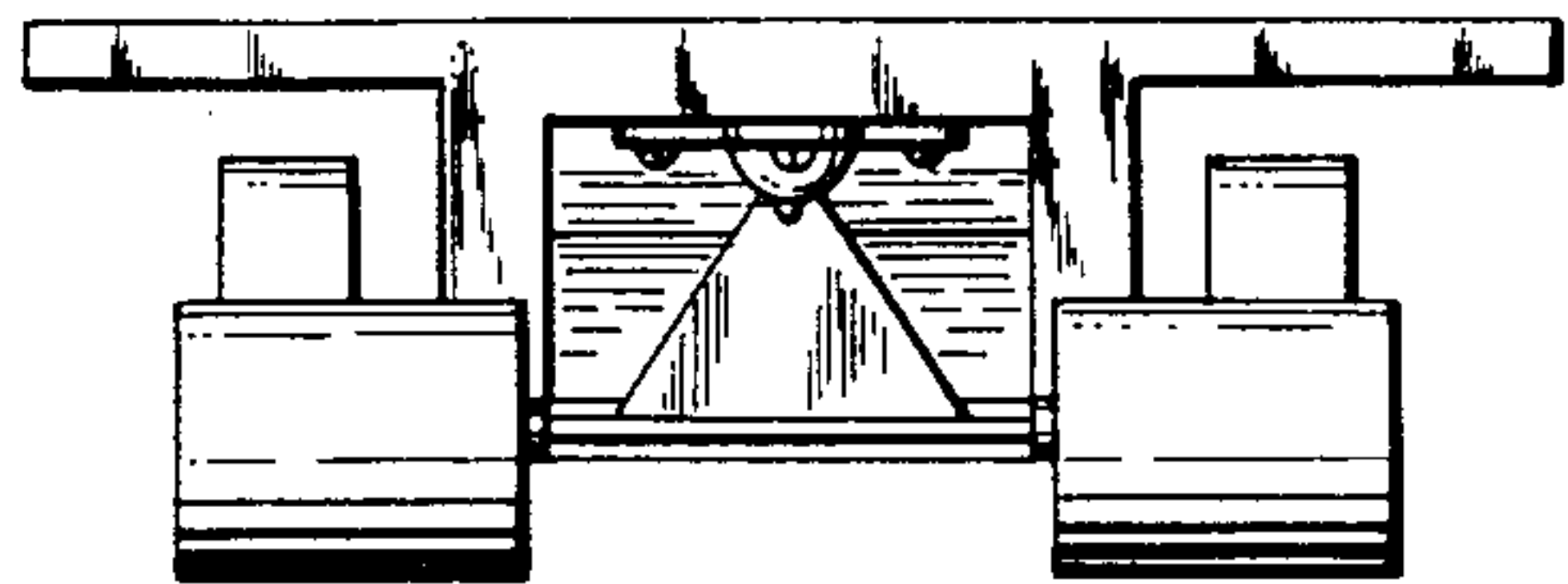


Fig. 3.

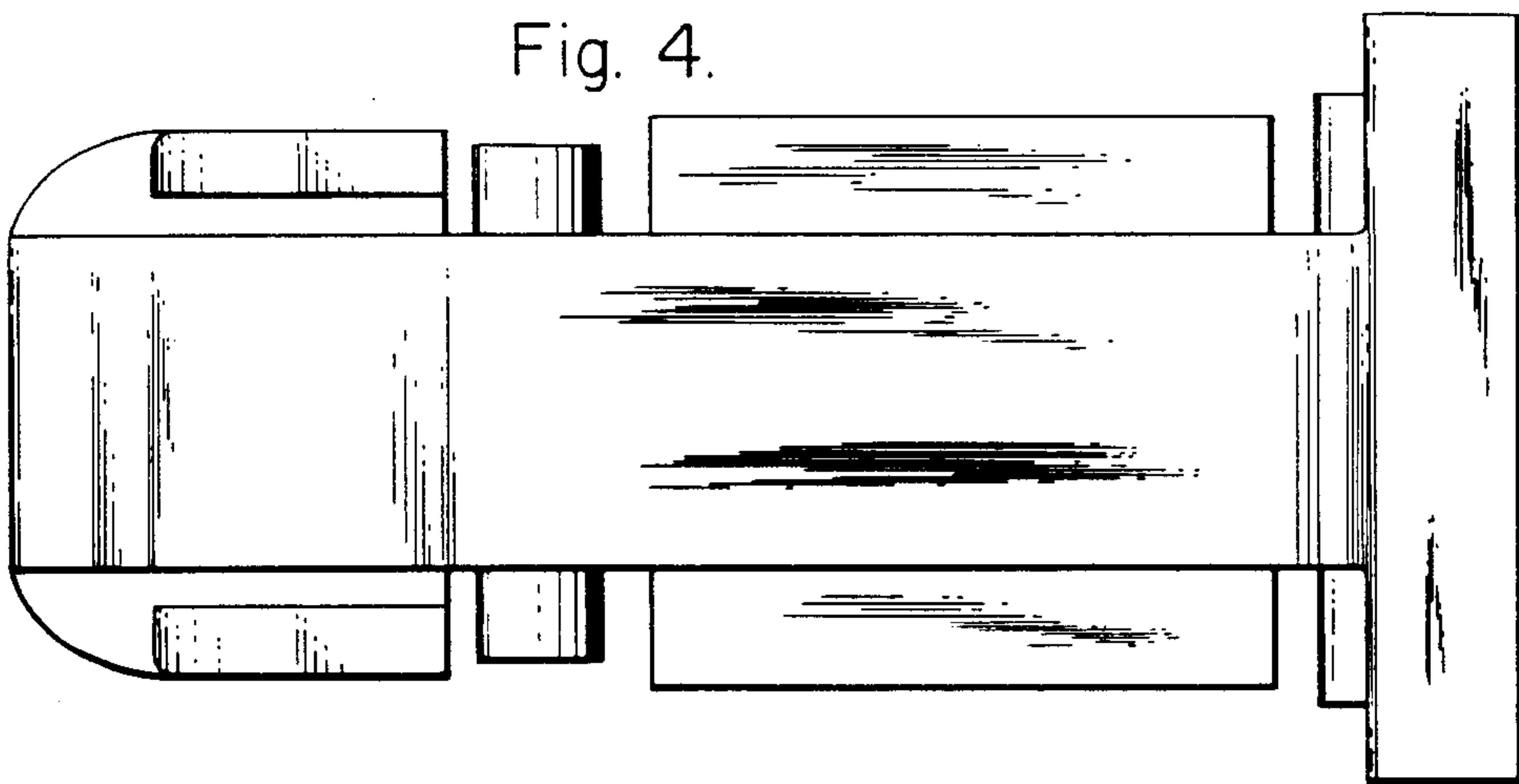


Fig. 4.

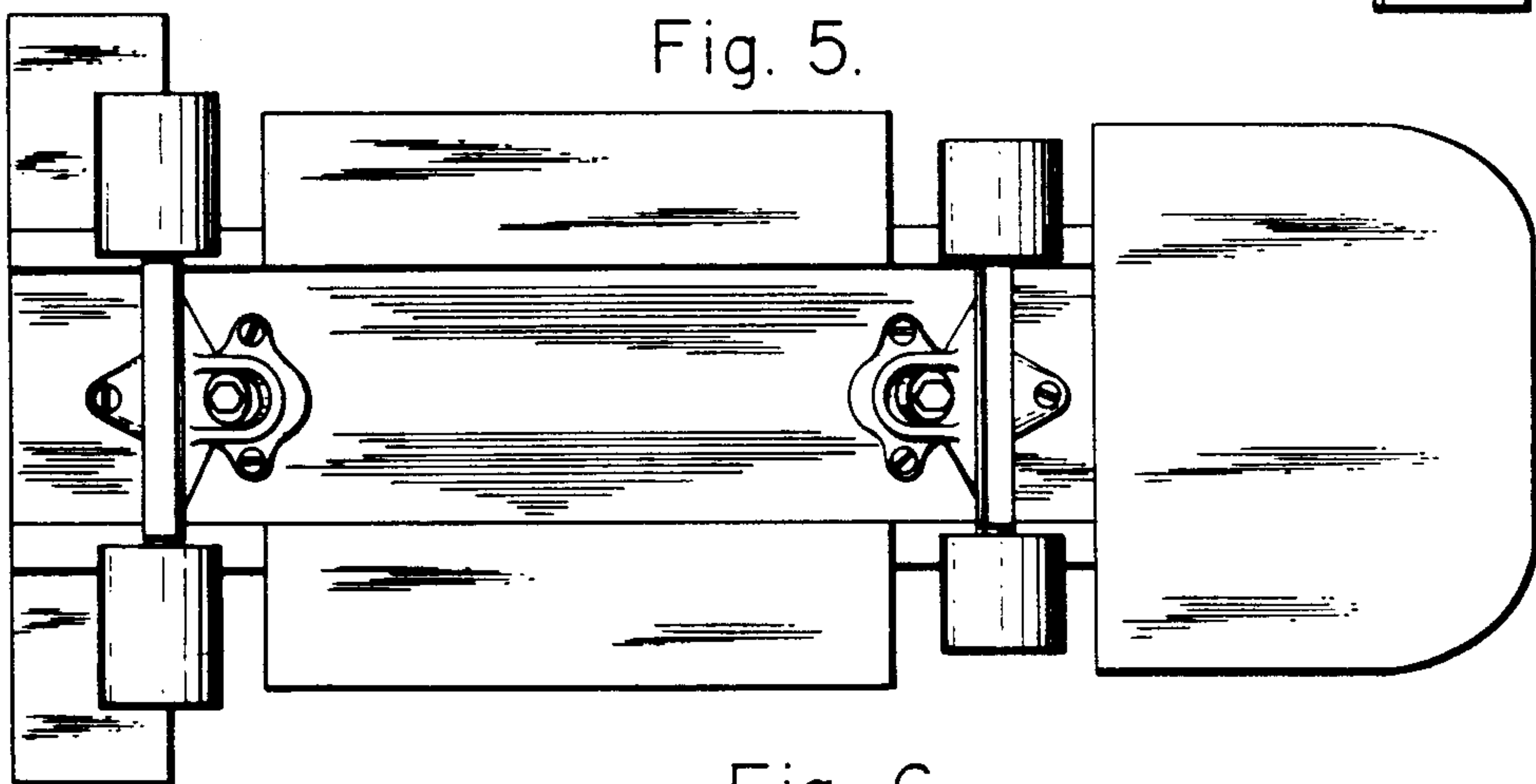


Fig. 5.

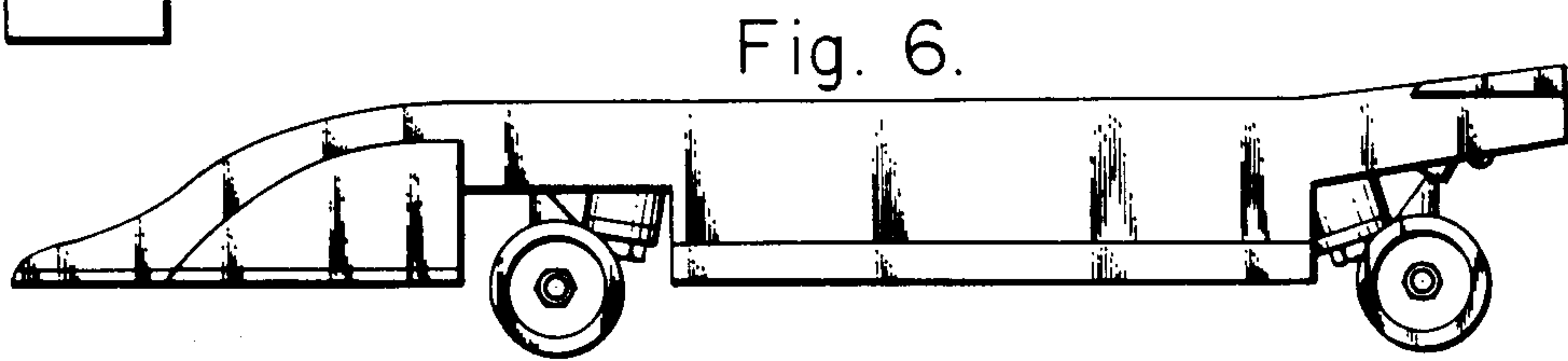


Fig. 6.